



400 Seventh Street, S.W.  
Washington, D.C. 20590

U.S. Department  
of Transportation

**National Highway  
Traffic Safety  
Administration**

Dear Crash Data Researchers/Users:

Thank you for choosing crash data from the National Highway Traffic Safety Administration (NHTSA) for your research or other use. The information contained in this motor vehicle crash report is collected, maintained and distributed in accordance with Public Law 89-564. In accordance with this Public Law, NHTSA is required not to release any case information until completion of quality control procedures. These procedures include a review of the case material to extract all names, licenses and registration numbers, non-coded interview material, non-research related researcher comments in the margins, non-factual data, and the production number portion of the vehicle identification number (VIN).

If you requested NHTSA to query its database files in order to identify a specific crash, then that query was made using non-personal descriptors you provided for use in our search. This motor vehicle crash may have been identified from a data search and matches the general, non-personal descriptors you provided, but we cannot confirm that this is the specific crash report you requested.

If you have any questions with regard to the above procedures, please contact the Field Operations Branch, Crash Investigation Division, National Center for Statistics and Analysis at 202-366-4820. Again, please be advised that we cannot confirm that this is the case that you have specifically requested nor can we certify the information to be correct.

\*\*\* \*\*



AUTO SAFETY HOTLINE  
(800) 424-9393  
Wash. D.C. Area 366-0123



# PEDESTRIAN CASE SUMMARY

PSU 40 CASE NO. 607P TYPE OF ACCIDENT CAR/PEDESTRIAN CROSSING ROAD STRAIGHT  
AD

## A. DESCRIPTION OF THE ACCIDENT SEQUENCE AND ACCIDENT PECULIARITIES

(Provide a summary of the accident sequence as well as any particular event of the accident that is noteworthy. Pedestrian injury mechanism and vehicle interaction is the focus, not pedestrian or driver culpability. Do not include any personal identifiers.) VEHICLE WAS TRAVELING EAST ON A TWO WAY STREET WITH TWO LANES IN BOTH DIRECTIONS WHEN PEDESTRIAN ENTERED ROADWAY CROSSING STRAIGHT FROM NORTH TO SOUTH WHEN HE WAS STRUCK BY VEHICLE WITH THE FRONT.

## B. PEDESTRIAN PROFILE

Pedestrian No.	Age	Sex	Treatment/Mortality	Most Severe Injury (TO BE COMPLETED BY ZONE CENTER)			
				Body Region	Ana. Struc.	AIS	Injury Source
01	67	1	4	LEG	FRACTURE	2	BUMPER

### Body Region

Head  
Face  
Throat  
Chest  
Abdomen/Pelvis  
Spine  
Upper Extremity  
Lower Extremity  
External

### Type of Anatomic Structure

Whole Area  
Vessels  
Nerves  
Organs  
Skeletal  
Head-LOC  
Skin-Burn  
Skin-Other

### Abbreviated Injury Scale

(1) Minor injury  
(2) Moderate injury  
(3) Serious injury  
(4) Severe injury  
(5) Critical injury  
(6) Maximum (untreatable)  
(7) Injured, unknown severity

## C. VEHICLE PROFILE

Vehicle No.	Class of Vehicle	Year/Make/Model	Most Severe Damage Based on Vehicle Inspection	
			Damage Plane	Damage Description
01	FULL SIZE	95 FORD/T BIRD	FRONT	MINOR

DO NOT SANITIZE THIS FORM



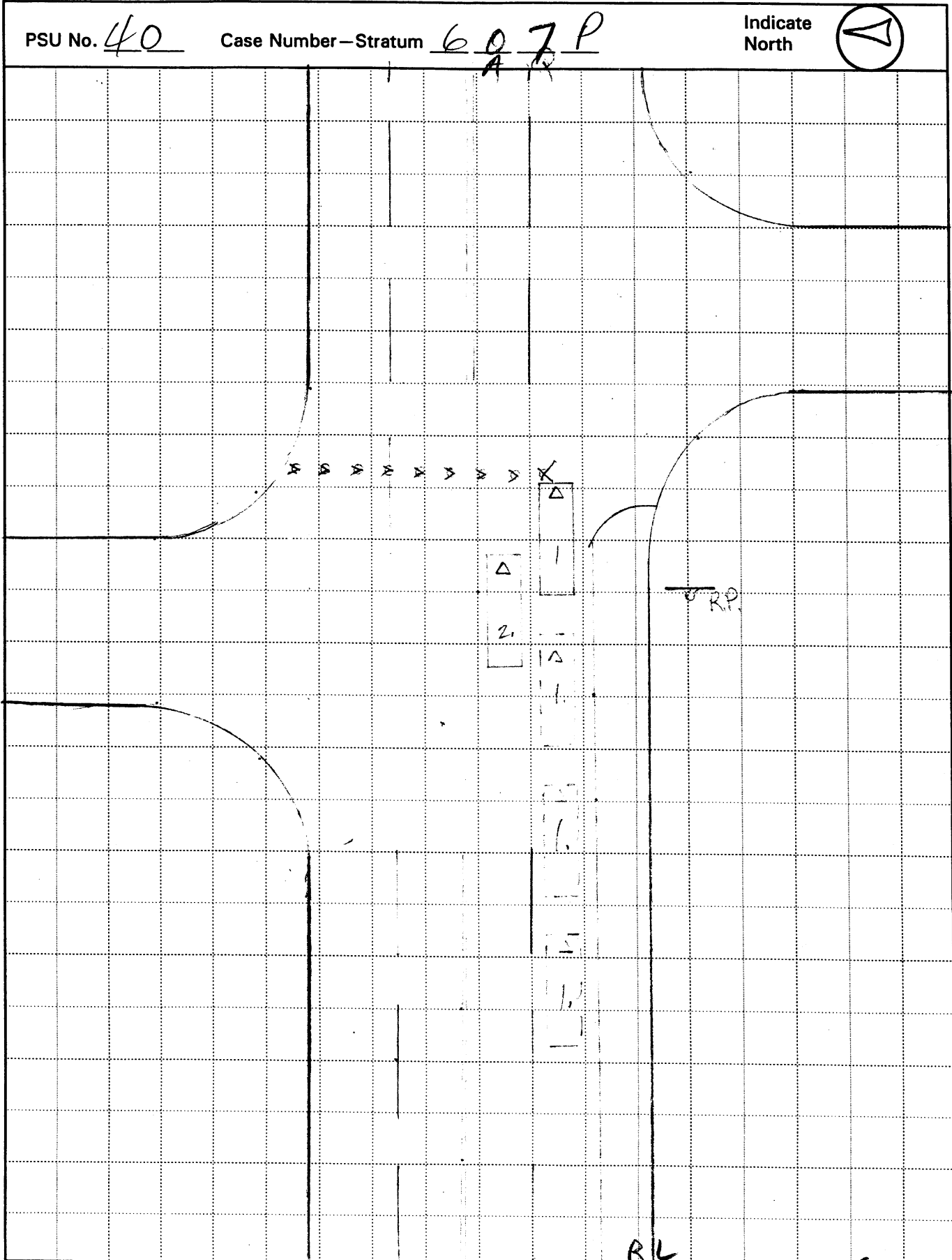


U.S. Department of Transportation  
National Highway Traffic Safety  
Administration

# ACCIDENT COLLISION DIAGRAM

BEST AVAILABLE

NATIONAL ACCIDENT SAMPLING SYSTEM  
CRASHWORTHINESS DATA SYSTEM







**PEDESTRIAN ACCIDENT FORM** NATIONAL ACCIDENT SAMPLING SYSTEM  
 PEDESTRIAN CRASH DATA STUDY

1. Primary Sampling Unit Number 40  
 2. Case Number - Stratum 607P  
A6

**IDENTIFICATION**

3. Number of General Vehicle Forms Submitted 01  
 4. Date of Accident (Month, Day, Year) [redacted] 9 7  
 5. Time of Accident 2000  
 Code reported military time of accident.  
 NOTE: Midnight = 2400  
 Unknown = 9999

**SPECIAL STUDIES - INDICATORS**

Check (✓) each special study (SS15-SS19 below) that has been completed; code 1 for the checked special studies and 0 for the special studies not checked.

6. \_\_\_ SS15 Administrative Use 0  
 7.  SS16 Pedestrian Crash Data Study 1  
 8. \_\_\_ SS17 Impact Fires 0  
 9. \_\_\_ SS18 \_\_\_\_\_ 0  
 10. \_\_\_ SS19 \_\_\_\_\_ 0

**NUMBER OF EVENTS**

11. Number of Recorded Events in This Accident 01

**PEDESTRIAN STUDY CRITERIA**

**Pedestrian Definition:**  
 Any person who is on a trafficway or on a sidewalk or path contiguous with a trafficway, or on private property (e.g., parking lot). Note: Pedestrians include persons who are in contact with the ground, roadway, etc. and are pushing carts, wagons, etc. or holding on to a vehicle.

Persons in or on a nonmotorist conveyance are not pedestrians and are excluded from this study. A nonmotorist conveyance is defined as any human powered device by which a nonmotorist may move, or by which a pedestrian or nonmotorist may move another nonmotorist. A nonmotorist conveyance for purposes of this study includes the following: bicycles, baby carriages, roller skates/blades, push carts, scooters, wheelchairs, animals, etc. For example, persons on a bicycle/scooter, roller skating/blading, in a baby carriage/push cart/wheelchair or on a horse are excluded.

**Case Selection Criteria:**  
 A forward moving, late model year (VEH04 equals 90 to 95) CDS applicable vehicle (VEH07 equals 01 to 49) must strike a pedestrian.  
 The striking portion of the vehicle structure must be original equipment manufacturer (OEM) without previous damage and or parts removed in the impact area. For example, vehicles equipped with deer guards, winches, snow plows, etc. or previously damaged in the impact area are excluded.  
 The pedestrian may not be lying or sitting.  
 The pedestrian impact(s) are the vehicle's only impact(s). If multiple pedestrians are impacted, each pedestrian shall be a separate case.  
 The first point of contact between the late model year, CDS applicable vehicle and the pedestrian must be forward of the top of the A pillar.

**PEDESTRIAN ACCIDENT EVENTS**

Accident Event Sequence Number	Vehicle Number	Class Of Vehicle	General Area of Damage	Vehicle Number or Object Contacted	Class Of Vehicle	General Area of Damage
12. <u>01</u>	13. <u>01</u>	14. <u>04</u>	15. <u>F</u>	16. <u>72</u>	17. <u>00</u>	18. <u>0</u>

**CODES FOR  
CLASS OF VEHICLE**

- (00) Not a motor vehicle
- (01) Subcompact/mini (wheelbase < 254 cm)
- (02) Compact (wheelbase ≥ 254 but < 265 cm)
- (03) Intermediate (wheelbase ≥ 265 but < 278 cm)
- (04) Full size (wheelbase ≥ 278 but < 291 cm)
- (05) Largest (wheelbase ≥ 291 cm)
- (09) Unknown passenger car size
- (11) Compact utility vehicle
- (12) Large utility vehicle (≤ 4,500 kgs GVWR)
- (13) Passenger van (≤ 4,500 kgs GVWR)
- (14) Other van (≤ 4,500 kgs GVWR)
- (15) Pickup truck (≤ 4,500 kgs GVWR)
- (18) Other truck (≤ 4,500 kgs GVWR)
- (19) Unknown light truck type

**CODES FOR GENERAL AREA  
OF DAMAGE (GAD)**

**CDS APPLICABLE  
VEHICLES**

- (F) Front
- (R) Right side
- (L) Left side
- (U) Undercarriage
- (9) Unknown

**CODES FOR VEHICLE NUMBER OR OBJECT CONTACTED**

Collision with Nonfixed Object

- (72) Pedestrian



# PEDESTRIAN ASSESSMENT FORM

1. Primary Sampling Unit Number 40  
 2. Case Number - Stratum 607P  
   AQ  
 3. Pedestrian Number 01

10. Pedestrian's Weight 999  
 Code actual weight to the nearest  
 kilogram.  
 (999) Unknown  
 \_\_\_\_\_ pounds X .4536 = \_\_\_\_\_ kilograms

## PEDESTRIAN'S CHARACTERISTICS

4. Pedestrian's Age 67  
 Code actual age at time of accident.  
 (00) Less than one year old (specify by month): \_\_\_\_\_  
 (97) 97 years and older \_\_\_\_\_  
 (99) Unknown \_\_\_\_\_

5. Pedestrian's Sex 1  
 (1) Male  
 (2) Female - not reported pregnant  
 (3) Female - pregnant-1st trimester (1st-3rd month)  
 (4) Female - pregnant-2nd trimester (4th-6th month)  
 (5) Female - pregnant-3rd trimester (7th-9th month)  
 (6) Female - pregnant-term unknown  
 (9) Unknown

6. Pedestrian's Overall Height 999  
 Code actual height to the nearest  
 centimeter.  
 (999) Unknown  
 \_\_\_\_\_ inches X 2.54 = \_\_\_\_\_ centimeters

7. Pedestrian's Height - Ground to Knee 99  
 Code to the nearest  
 centimeter.  
 (999) Unknown  
 \_\_\_\_\_ inches X 2.54 = \_\_\_\_\_ centimeters

8. Pedestrian's Height - Ground to Hip 999  
 Code to the nearest  
 centimeter.  
 (999) Unknown  
 \_\_\_\_\_ inches X 2.54 = \_\_\_\_\_ centimeters

9. Pedestrian's Height - Ground to Shoulder 999  
 Code to the nearest  
 centimeter.  
 (999) Unknown  
 \_\_\_\_\_ inches X 2.54 = \_\_\_\_\_ centimeters

## PEDESTRIAN'S PRE-AVOIDANCE ACTIONS

11. Pedestrian Attitude 1  
 (1) Standing  
 (2) Crouching  
 (3) Kneeling  
 (4) Bending at waist  
 (8) Other (specify): \_\_\_\_\_  
 (9) Unknown

12. Pedestrian Motion 1  
 (0) Not moving  
 (1) Walking slowly  
 (2) Walking rapidly  
 (3) Running or jogging  
 (4) Hopping  
 (5) Skipping  
 (6) Jumping  
 (7) Falling/stumbling or rising  
 (8) Other (specify): \_\_\_\_\_  
 (9) Unknown

13. Pedestrian's Action Relative to Vehicle 01  
 (00) Stopped  
 (01) Crossing road, straight  
 (02) Crossing road, diagonally  
 (03) Moving in road, with traffic  
 (04) Moving in road, against traffic  
 (05) Off road, approaching road  
 (06) Off road, going away from road  
 (07) Off road, moving parallel  
 (08) Off road, crossing driveway  
 (09) Off road, moving along driveway  
 (98) Other (specify): \_\_\_\_\_  
 (99) Unknown

14. Pedestrian's Body (Chest) Orientation 4  
 Relative to Striking Vehicle Prior to  
 Avoidance Actions  
 (1) Facing vehicle  
 (2) Facing away  
 (3) Left side to vehicle  
 (4) Right side to vehicle  
 (8) Other (specify): \_\_\_\_\_  
 (9) Unknown

**PEDESTRIAN'S AVOIDANCE ACTIONS**15. Pedestrian's First Avoidance Actions 00

- (00) No avoidance actions
- (01) Stopped
- (02) Accelerated pace
- (03) Ran away (along vehicle path)
- (04) Jumped
- (05) Turned toward vehicle
- (06) Turned away from vehicle
- (07) Dove or fell away

Used hand(s) to :

- (11) Vault corner of vehicle
- (12) Vault onto vehicle
- (13) Brace against vehicle
- (14) Crouched and braced hands against vehicle
- (98) Other (specify): \_\_\_\_\_
- (99) Unknown

**PEDESTRIAN'S ORIENTATION AT IMPACT**16. Pedestrian's Head Orientation at Initial Impact 1

- (1) To front
- (2) To left
- (3) To right
- (4) Up
- (5) Down
- (8) Other (specify): \_\_\_\_\_
- (9) Unknown

17. Pedestrian's Body (Chest) Orientation at Initial Impact 4

- (1) Facing vehicle
- (2) Facing away
- (3) Left side to vehicle
- (4) Right side to vehicle
- (8) Other (specify): \_\_\_\_\_
- (9) Unknown

18. Pedestrian's Arm Orientation at Initial Impact 01

- (01) At sides
- (02) Folded across chest
- (03) Hands clasped behind back
- (04) Hands on hips
- (05) Hands in pockets

One or both arms:

- (06) Extended upward
- (07) Extended to side
- (08) Extended forward bracing
- (09) Extended, holding object (briefcase, suitcase, etc.)
- (10) Holding object (young child, grocery bag, etc.) in arm(s)
- (11) Holding object (young child, grocery bag, etc.) on shoulder(s) or head
- (98) Other (specify): \_\_\_\_\_
- (99) Unknown

19. Pedestrian's Leg Orientation at Initial Impact 99

- (01) Together
- (02) Apart-laterally
- (03) Apart-right leg forward
- (04) Apart-left leg forward
- (05) Apart- forward leg unknown
- (06) Left foot off the ground
- (07) Right foot off the ground
- (08) Both feet off the ground
- (98) Other (specify): \_\_\_\_\_
- (99) Unknown

20. Vehicle/Pedestrian's Interaction 08

- (01) Carried by vehicle, wrapped position
- (02) Carried by vehicle, slid to windshield
- (03) Carried by vehicle, position unknown
- (04) Passed over vehicle top
- (05) Thrown straight forward
- (06) Thrown forward and left of vehicle
- (07) Thrown forward and right of vehicle
- (08) Knocked to pavement, forward
- (09) Knocked to pavement, left of vehicle
- (10) Knocked to pavement, right of vehicle
- (11) Knocked to pavement, run over or dragged by vehicle
- (12) Shunted to left (corner impacts only)
- (13) Shunted to right (corner impacts only)
- (14) Bumped or pushed aside
- (15) Snagged, rotated
- (16) Snagged, dragged by vehicle
- (17) Foot or legs run over
- (98) Other (specify): \_\_\_\_\_
- (99) Unknown

## OFFICIAL RECORDS

## INJURY CONSEQUENCES

21. Police Reported Alcohol Presence  
For Pedestrian

- (0) No alcohol present  
(1) Yes alcohol present  
(7) Not reported  
(9) Unknown

1

22. Alcohol Test Result For Pedestrian  
Code actual value (decimal implied  
before first digit—0.xx)

- (95) Test refused  
(96) None given  
(97) AC (Alcohol Content)  
test performed, results unknown  
(99) Unknown if test given

96

Source: \_\_\_\_\_

23. Police Reported Other Drug Presence  
For Pedestrian

- (0) No other drug(s) present  
(1) Yes other drug(s) present  
(7) Not reported  
(9) Unknown

0

24. Other Drug Specimen Test Result  
For Pedestrian

- (0) No specimen test given  
(1) Drug not found in specimen  
(2) Drug found in specimen,  
(specify): \_\_\_\_\_  
(3) Specimen test given,  
results unknown or not obtained  
(9) Unknown

0

25. Injury Severity (Police Rating)

- (0) O - No injury  
(1) C - Possible injury  
(2) B - Nonincapacitating injury  
(3) A - Incapacitating injury  
(4) K - Killed  
(5) U - Injury, severity unknown  
(6) Died prior to accident  
(9) Unknown

2

26. Treatment - Mortality

- (0) No treatment  
(1) Fatal  
(2) Fatal - ruled disease (specify):  
\_\_\_\_\_

4

*Nonfatal*

- (3) Hospitalization  
(4) Transported and released  
(5) Treatment at scene - non-transported  
(6) Treatment later  
(8) Treatment - other (specify):  
\_\_\_\_\_

(9) Unknown

27. Type Of Medical Facility  
(for Initial Treatment)

- (0) Not treated at a medical facility  
(1) Trauma center  
(2) Hospital  
(3) Medical clinic  
(4) Physician's office  
(5) Treatment later at medical facility  
(8) Other (specify): \_\_\_\_\_  
(9) Unknown

2

28. Hospital Stay

- (00) Not Hospitalized  
\_\_\_\_\_ Code the number of days (up through 60)  
that the pedestrian stayed in a hospital.  
(61) 61 days or more  
(99) Unknown

00

29. Working Days Lost

- \_\_\_\_\_ Code the number of days  
(up through 60) that the pedestrian  
lost from work due to the accident  
(00) No working days lost  
(61) 61 days or more  
(62) Fatally injured  
(97) Not working prior to accident  
(99) Unknown

97

STOP - VARIABLES 30 THROUGH 37 ARE COMPLETED BY THE ZONE CENTER

30. Glasgow Coma Scale (GCS) Score 15  
 (at Medical Facility)  
 (00) Not injured  
 (01) Injured - not treated at medical facility  
 (02) No GCS Score at medical facility  
 (03-15) Code the actual value of the initial GCS Score recorded at medical facility.  
 (97) Injured, details unknown  
 (99) Unknown if injured

31. Was the Pedestrian Given Blood? 1  
 (1) No - blood not given  
 (2) Yes - blood given  
 (specify units): \_\_\_\_\_  
 (9) Unknown if blood given

32. Arterial Blood Gases (ABG) - HCO<sub>3</sub> 01  
 (00) Not injured  
 (01) Injured, ABGs not measured or reported  
 (02-50) Code the actual value of the HCO<sub>3</sub>  
 (96) ABGs reported, HCO<sub>3</sub> unknown  
 (97) Injured, details unknown  
 (99) Unknown if injured

33. Time to Death 00  
 \_\_\_\_\_ Code number of hours from time of accident to time of death up through 24 hours. If time of death is greater than 24 hours, code number of days. (Note: 1 day = 31, 2 days = 32, ... n days = 30 + n up through 30 days = 60)  
 (00) Not fatal  
 (96) Fatal - ruled disease  
 (99) Unknown

34. 1st Medically Reported Cause of Death 00

35. 2nd Medically Reported Cause of Death 00

36. 3rd Medically Reported Cause of Death 00

\_\_\_\_\_ Code the Pedestrian Injury from line number(s) for the medically reported injury(s) which reportedly contributed to this pedestrian's death

(00) Not fatal or no additional causes

(96) Mode of death given but specific injuries are not linked to cause of death. (specify): \_\_\_\_\_

(97) Other result (includes fatal ruled disease) (specify): \_\_\_\_\_

(99) Unknown

37. Number of Recorded Injuries for This Pedestrian 04

\_\_\_\_\_ Code the actual number of injuries recorded for this pedestrian.

(00) No recorded injuries

(97) Injured, details unknown

(99) Unknown if injured

ARE ALL APPLICABLE MEDICAL RECORDS INCLUDED WITH INITIAL SUBMISSION?

NO [ ] YES [✓]

UPDATE CANDIDATE? NO [✓] YES [ ]



# PEDESTRIAN INJURY FORM

1. Primary Sampling Unit Number <u>40</u>	3. Pedestrian Number <u>01</u>
2. Case Number - Stratum <u>6 27 P</u>	4. Blank <u>X X</u>

## INJURY DATA

Record below the actual injuries sustained by this pedestrian in **CHRONOLOGICAL** order that were identified from the official and unofficial data sources. Remember not to double count an injury just because it was identified from two different sources. If greater than twenty-five injuries have been documented, encode the balance on the Pedestrian Injury Supplement.

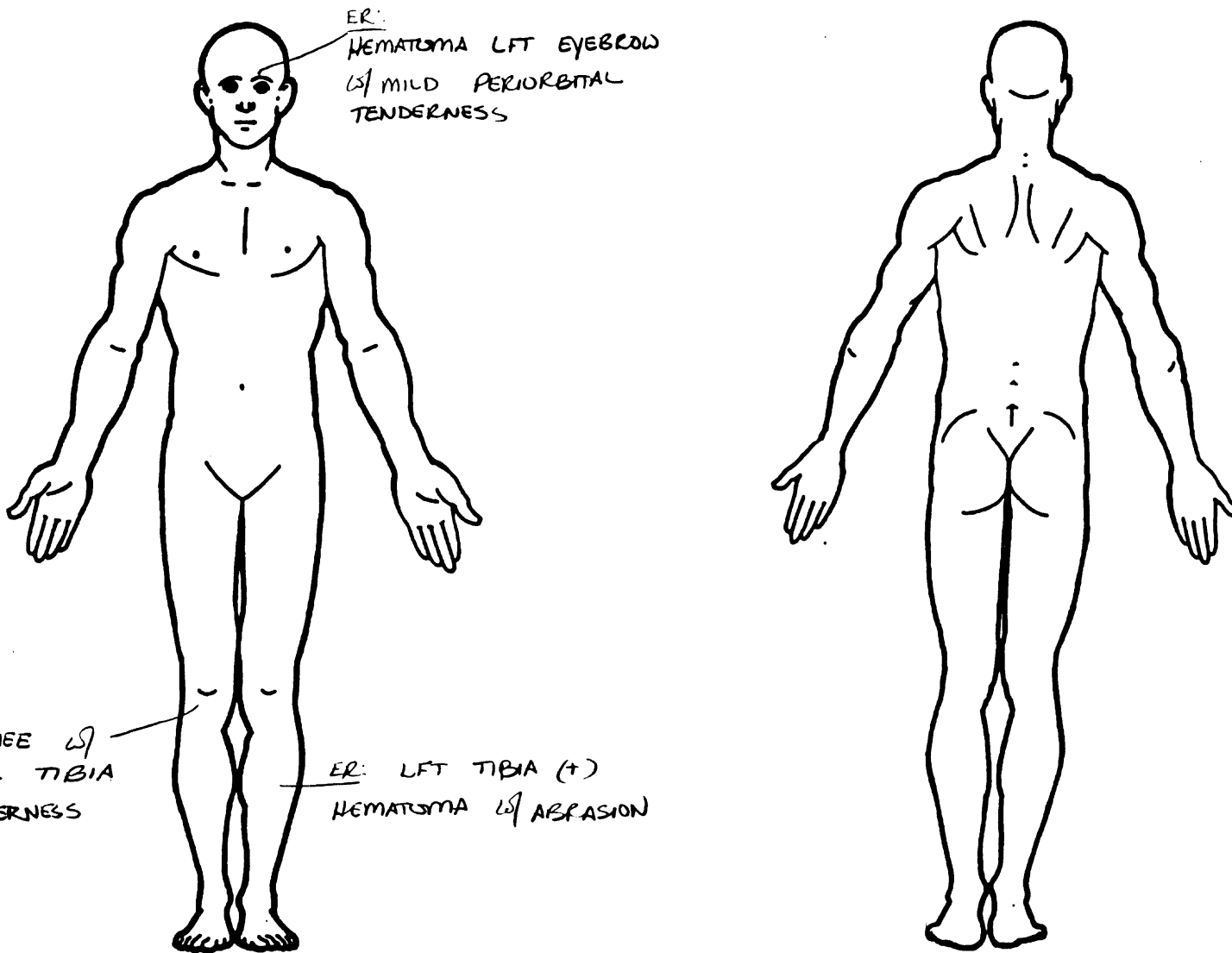
Source of Injury Data	AIS-90							Injury Source	Injury Confidence Level	Direct/Indirect Injury	Striking Profile	Type Of Damage	Damage Depth
	Body Region	Type of Anatomic Structure	Specific Anatomic Structure	Level of Injury	A.I.S. Severity	Aspect							
④ <i>eyebrows hematomas</i>	1st 5. <u>3</u>	6. <u>2</u>	7. <u>9</u>	8. <u>04</u>	9. <u>02</u>	10. <u>1</u>	11. <u>7</u>	12. <u>770</u>	13. <u>1</u>	14. <u>1</u>	15. <u>2</u>	16. <u>3</u>	17. <u>3</u>
④ <i>tibia abrasion</i>	2nd 18. <u>3</u>	19. <u>8</u>	20. <u>9</u>	21. <u>02</u>	22. <u>02</u>	23. <u>1</u>	24. <u>2</u>	25. <u>700</u>	26. <u>1</u>	27. <u>1</u>	28. <u>1</u>	29. <u>2</u>	30. <u>2</u>
④ <i>tibia hematomas</i>	3rd 31. <u>3</u>	32. <u>8</u>	33. <u>9</u>	34. <u>04</u>	35. <u>02</u>	36. <u>1</u>	37. <u>2</u>	38. <u>700</u>	39. <u>1</u>	40. <u>1</u>	41. <u>1</u>	42. <u>2</u>	43. <u>2</u>
④ <i>tibial plateau K</i>	4th 44. <u>3</u>	45. <u>8</u>	46. <u>5</u>	47. <u>34</u>	48. <u>06</u>	49. <u>2</u>	50. <u>1</u>	51. <u>700</u>	52. <u>1</u>	53. <u>1</u>	54. <u>1</u>	55. <u>2</u>	56. <u>2</u>
5th	57. ___	58. ___	59. ___	60. ___	61. ___	62. ___	63. ___	64. ___	65. ___	66. ___	67. ___	68. ___	69. ___
6th	70. ___	71. ___	72. ___	73. ___	74. ___	75. ___	76. ___	77. ___	78. ___	79. ___	80. ___	81. ___	82. ___
7th	83. ___	84. ___	85. ___	86. ___	87. ___	88. ___	89. ___	90. ___	91. ___	92. ___	93. ___	94. ___	95. ___
8th	96. ___	97. ___	98. ___	99. ___	100. ___	101. ___	102. ___	103. ___	104. ___	105. ___	106. ___	107. ___	108. ___
9th	109. ___	110. ___	111. ___	112. ___	113. ___	114. ___	115. ___	116. ___	117. ___	118. ___	119. ___	120. ___	121. ___
10th	122. ___	123. ___	124. ___	125. ___	126. ___	127. ___	128. ___	129. ___	130. ___	131. ___	132. ___	133. ___	134. ___



# OFFICIAL INJURY DATA — SOFT TISSUE INJURIES

Indicate the Location, Specific Anatomic Structure, Detail (size, depth, fracture type, head injury clinical signs and neurological deficits), and Source of all injuries indicated by official sources (or from PAR or other unofficial sources if medical records and interviewee data are unavailable.)

NO LOC



**SOURCE OF INJURY DATA****OFFICIAL**

- (1) Autopsy records with or without hospital/medical records
- (2) Hospital/medical records other than emergency room (e.g., discharge summary)
- (3) Emergency room records only (including associated X-rays or other lab reports)
- (4) Private physician, walk-in or emergency clinic

**UNOFFICIAL**

- (5) Lay coroner report
- (6) E.M.S. personnel
- (7) Interviewee
- (8) Other source (specify): \_\_\_\_\_
- (9) Police

**INJURY SOURCE CONFIDENCE LEVEL**

- (1) Certain
- (2) Probable
- (3) Possible
- (9) Unknown

**DIRECT/INDIRECT INJURY**

- (1) Direct contact injury
- (2) Indirect contact injury
- (3) Noncontact injury
- (7) Injured, unknown source

**STRIKING PROFILE**

- (0) Injury not from vehicle contact
- (1) Flat-Narrow (<15 centimeters)
- (2) Flat-Wide (≥ 15 centimeters)
- (3) Rounded (contoured)
- (4) Rounded edge
- (5) Sharp edge
- (8) Other (specify): \_\_\_\_\_
- (9) Unknown

**TYPE OF DAMAGE**

- (0) Injury not from vehicle contact
- (1) No damage/contact
- (2) Scratch (Scuff, Cloth Transfer, Smear)
- (3) Dent
- (4) Large deformation
- (5) Cracked, fractured, shattered
- (6) Separated from vehicle
- (7) Noncontact injury
- (8) Other specify: \_\_\_\_\_
- (9) Unknown

**DAMAGE DEPTH**

- (0) Injury not from vehicle contact
- (1) No residual damage
- (2) Surface only damage
- (3) Crush depth >0 to 2 centimeters
- (4) Crush depth >2 to 5 centimeters
- (5) Crush depth >5 to 10 centimeters
- (8) Other specify: \_\_\_\_\_
- (9) Unknown

**PEDESTRIAN INJURY CLASSIFICATION****Body Region**

- (1) Head
- (2) Face
- (3) Neck
- (4) Thorax
- (5) Abdomen
- (6) Spine
- (7) Upper Extremity
- (8) Lower Extremity
- (9) Unspecified

**Specific Anatomic Structure**

- Whole Area
- (02) Skin - Abrasion
  - (04) Skin - Contusion
  - (06) Skin - Laceration
  - (08) Skin - Avulsion
  - (10) Amputation
  - (20) Burn
  - (30) Crush
  - (40) Degloving
  - (50) Injury - NFS
  - (90) Trauma, other than mechanical

**Spine**

- (02) Cervical
- (04) Thoracic
- (06) Lumbar

Vessels, Nerves, Organs, Bones, Joints are assigned consecutive two digit numbers beginning with 02

**Level of Injury**

Specific injuries are assigned consecutive two-digit numbers beginning with 02.

To the extent possible, within the organizational framework of the AIS, 00 is assigned to an injury NFS as to severity or where only one injury is given in the dictionary for that anatomic structure. 99 is assigned to any injury NFS as to lesion or severity.

**Abbreviated Injury Scale**

- (1) Minor injury
- (2) Moderate injury
- (3) Serious injury
- (4) Severe injury
- (5) Critical injury
- (6) Maximum (untreatable)
- (7) Injured, unknown severity

**Type of Anatomic Structure**

- (1) Whole Area
- (2) Vessels
- (3) Nerves
- (4) Organs (includes muscles/ligaments)
- (5) Skeletal (includes joints)
- (6) Head - LOC
- (9) Skin

**Head - LOC**

- (02) Length of LOC
- (04, 06, 08) Level of Consciousness
- (10) Concussion

**Aspect**

- (1) Right
- (2) Left
- (3) Bilateral
- (4) Central
- (5) Anterior
- (6) Posterior
- (7) Superior
- (8) Inferior
- (9) Unknown
- (0) Whole region

**INJURY SOURCE****FRONT**

- 700 Front bumper
- 701 Front lower valance/spoiler
- 702 Front grille
- 703 Hood edge and/or trim
- 704 Hood ornament (fixed)
- 705 Hood ornament (spring loaded)
- 706 Headlight
- 707 Retractable headlight door (Open/Closed)
- 708 Turn signal/parking lights
- 718 Other front or add on object (specify): \_\_\_\_\_
- 719 Unknown front object

**Left Side Components**

- 720 Front fender side surface
- 721 Front antenna
- 722 A1 pillar
- 723 A2 pillar
- 724 B pillar
- 725 C pillar
- 726 D pillar
- 728 Other pillar (specify): \_\_\_\_\_
- 729 Left side roof rail
- 730 Left side door surface
- 731 Left side door handle
- 732 Left side mirror fixed housing
- 733 Left side folding mirror
- 734 Left side glazing forward of B pillar
- 735 Left side glazing rearward of B pillar
- 736 Left side back fender or quarter panel
- 737 Rear antenna
- 738 Other left side object (specify): \_\_\_\_\_
- 739 Unknown left side component

**Right Side Components**

- 740 Front fender side surface
- 741 Front antenna
- 742 A1 pillar
- 743 A2 pillar

- 744 B pillar
- 745 C pillar
- 746 D pillar
- 748 Other pillar (specify): \_\_\_\_\_
- 749 Right side roof rail
- 750 Right side door surface
- 751 Right side door handle
- 752 Right side mirror fixed housing
- 753 Right side folding mirror
- 754 Right side glazing forward of B pillar
- 755 Right side glazing rearward of B pillar
- 756 Rear antenna
- 757 Rear fender or quarter panel
- 758 Other right side object (specify): \_\_\_\_\_
- 759 Unknown right side component

**Back Components**

- 760 Rear (back) bumper
- 761 Tailgate
- 762 Hatchback, vertical surface
- 768 Other back component (specify): \_\_\_\_\_
- 769 Unknown back component

**Top Components**

- 770 Hood surface
- 771 Hood surface reinforced by under hood component
- 772 Front fender top surface
- 773 Cowl area
- 774 Wiper blade & mountings
- 775 Windshield glazing
- 776 Front header
- 777 Roof surface
- 778 Backlight glazing
- 779 Rear header
- 780 Hatchback
- 781 Rear trunk lid
- 788 Other top component (specify): \_\_\_\_\_
- 789 Unknown top component

**Wheels / tires**

- 790 Left front wheel / tire
- 791 Right front wheel / tire
- 792 Left rear wheel / tire
- 793 Right rear wheel / tire
- 798 Other wheel / tire (specify): \_\_\_\_\_
- 799 Unknown wheel / tire

**Undercarriage components**

- 800 Front crossmember
- 801 Steering assembly/Front suspension
- 802 Oil pan
- 803 Exhaust system pipe
- 804 Transmission
- 805 Drive shaft
- 806 Catalytic converter
- 807 Muffler
- 808 Floor pan
- 809 Fuel tank
- 810 Rear suspension
- 818 Other undercarriage component (specify): \_\_\_\_\_
- 819 Unknown undercarriage component

**Accessories**

- 820 Air scoop, deflector
- 821 Cellular or CB radio antenna
- 822 Emergency lights or bar
- 823 Fog lights
- 824 Luggage, ski, or bike rack
- 825 Cargo (specify): \_\_\_\_\_
- 826 Spare tire
- 827 Spotlight
- 828 Other accessory (specify): \_\_\_\_\_

**Other Object or Vehicle in Environment**

- 947 Ground
- 948 Other object (specify): \_\_\_\_\_
- 949 Unknown object in environment
- 959 Unknown object on contacting vehicle
- 997 Noncontact injury source
- 999 Unknown injury source



# OFFICIAL INJURY DATA — SKELETAL INJURIES

Restrained?

- No
- Yes

Indicate the Location, Specific Anatomic Structure, Detail (size, depth, fracture type, head injury clinical signs and neurological deficits), and Source of all injuries indicated by official sources (or from PAR or other unofficial sources if medical records and interviewee data are unavailable.)

Blood Alcohol Level  
(mg/dl)

BAL = \_\_\_\_\_

Glasgow Coma  
Scale Score

A+Ox3  
GCSS = 15

Units of Blood  
Given

Units = \_\_\_\_\_

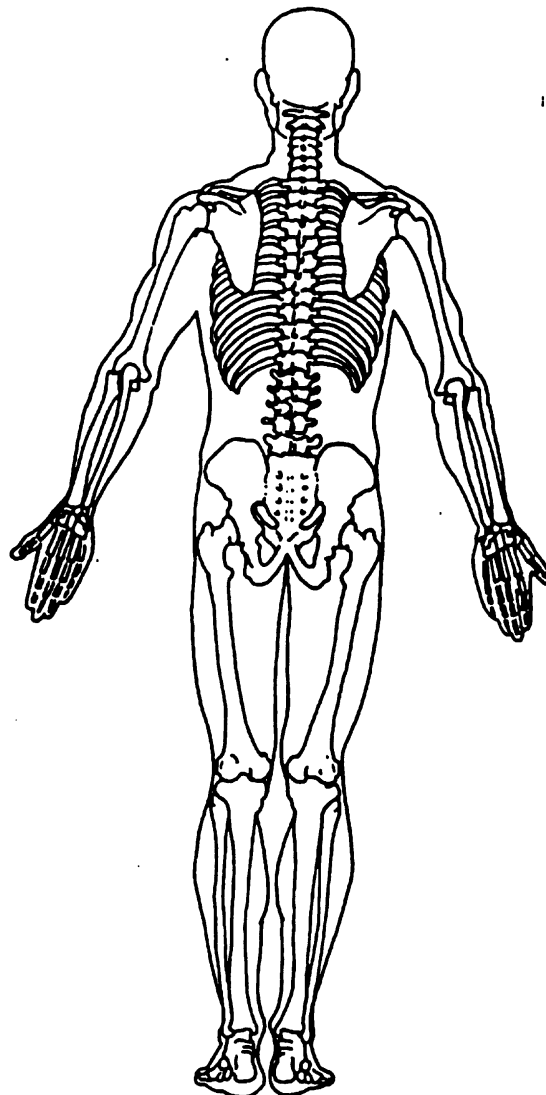
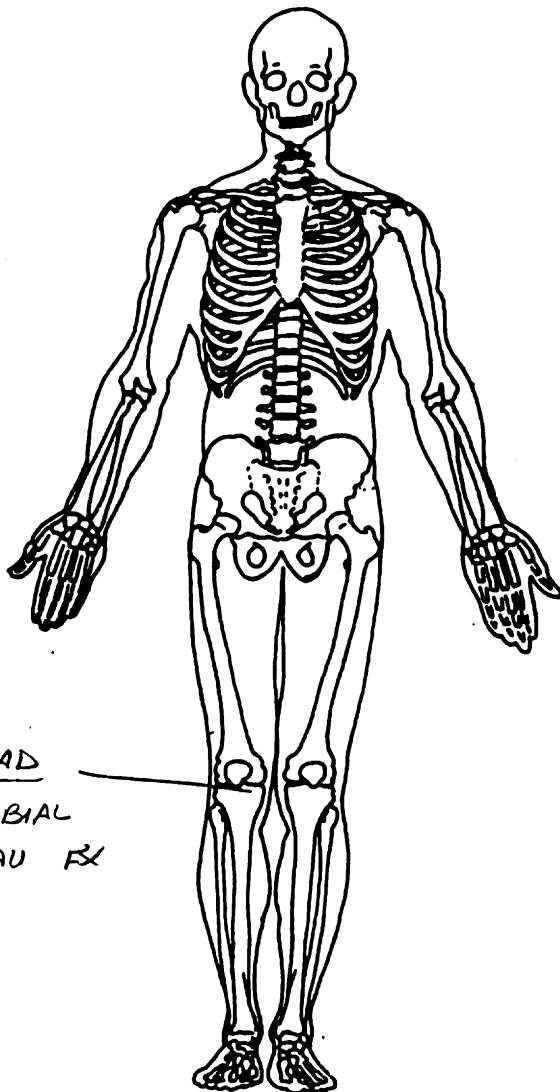
Arterial Blood Gases

Ph = \_\_\_\_\_

PO<sub>2</sub> = \_\_\_\_\_

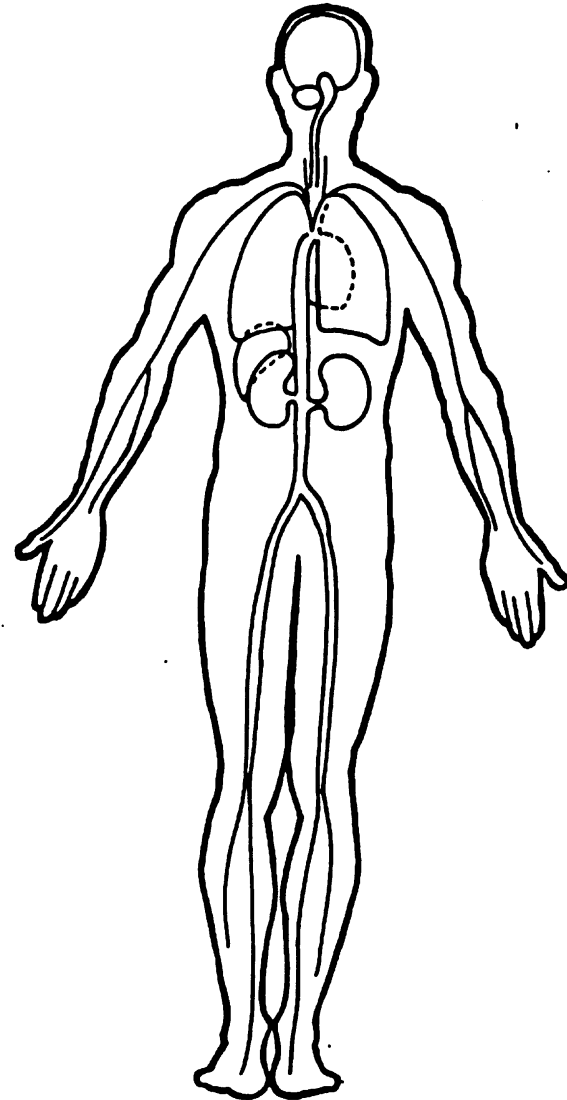
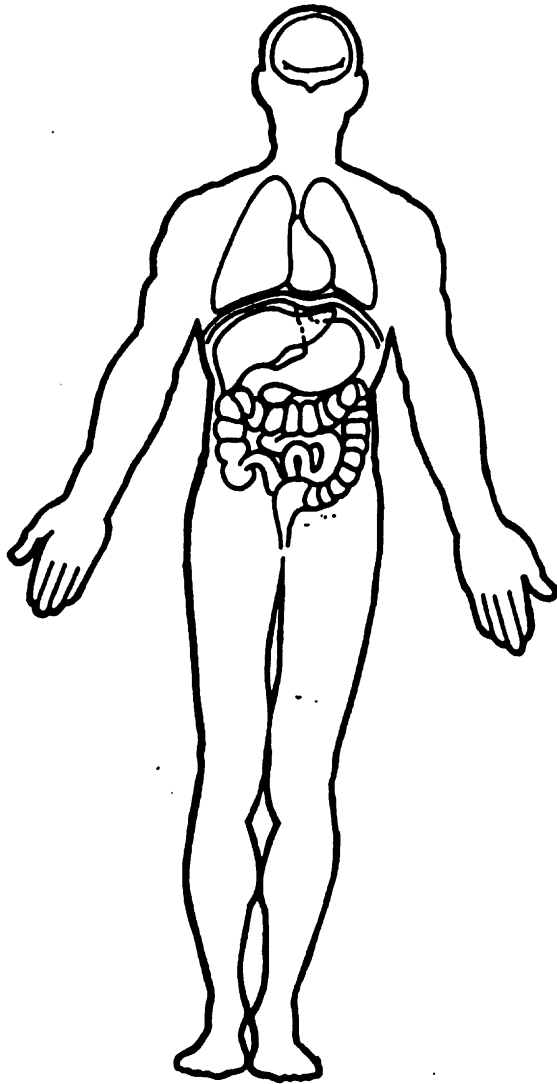
PCO<sub>2</sub> = \_\_\_\_\_

HCO<sub>3</sub> = \_\_\_\_\_



## OFFICIAL INJURY DATA – INTERNAL INJURIES

Indicate the Location, Specific Anatomic Structure, Detail (size, depth, fracture type, head injury clinical signs and neurological deficits), and Source of all injuries indicated by official sources (or from PAR or other unofficial sources if medical records and interviewee data are unavailable.)



PSU NUMBER  
CASE NUMBER  
YEAR

40  
607P  
1997

# PEDESTRIAN GENERAL VEHICLE FORM

*THE FOLLOWING DATA IS NOT INCLUDED IN THIS CASE:*

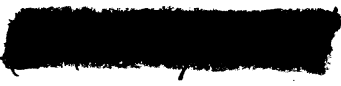
ENTIRE FORM

PAGE NUMBER (S) \_\_\_\_\_



1. Primary Sampling Unit Number	<u>40</u>	3. Vehicle Number	<u>0 1</u>
2. Case Number - Stratum	<u>6 97 P</u>		

**VEHICLE IDENTIFICATION**

VIN 1FALP6245SH  Model Year 95

Vehicle Make (specify): Ford Vehicle Model (specify): Fbird LX

**PEDESTRIAN FRONT CONTACT WORK SHEET**

PEV06 Hood Material	<u>STEEL</u>
PEV08 Hood Length	<u>138</u> cm
PEV09 Hood Width-Forward Opening	<u>149</u> cm
PEV10 Hood Width-Midway	<u>156</u> cm
PEV11 Hood Width-Rear Opening	<u>158</u> cm
PEV14 Front Bumper Cover Material	<u>PLASTIC</u>
PEV15 Front Bumper Reinforcement Material	<u>STEEL</u>

**VERTICAL MEASUREMENTS**

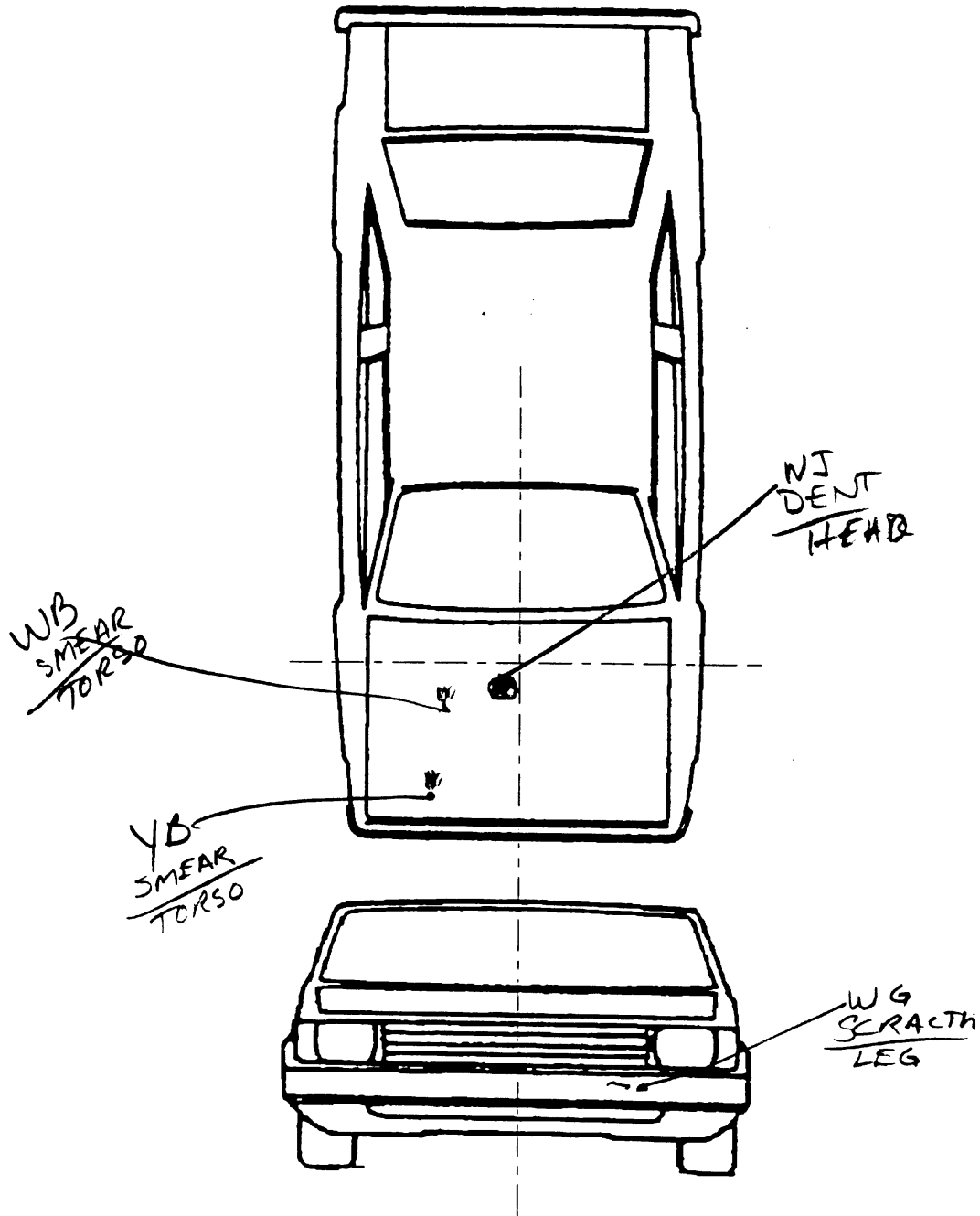
PEV16 Front Bumper-Bottom Height	<u>36</u> cm
PEV17 Front Bumper-Top Height	<u>56</u> cm
PEV18 Forward Hood Opening	<u>67</u> cm
PEV19 Front Bumper Lead	<u>12</u> cm

**WRAP DISTANCES**

PEV20 Ground to Forward Hood Opening	<u>71</u> cm
PEV21 Ground to Front/Top Transition Point	<u>82</u> cm
PEV22 Ground to Rear Hood Opening	<u>200</u> cm
PEV23 Ground to Base of Windshield	<u>210</u> cm
PEV24 Ground to Top of Windshield	<u>304</u> cm
PEV25 Ground to Head Contact	<u>155</u> cm

*Gregory 166*

## VEHICLE DAMAGE SKETCH



NOTES: Sketch all pedestrian contacts, include the size and depth in centimeters. Locate the pedestrian contacts from the intercept point of the centerline (lateral) and the front axles (longitudinal) in centimeters. Annotate observations which might be useful in reconstructing the accident (e.g., grass in tire bead, direction of striations, scuff on sidewalls, etc.).

Location of the origin (intercept point of the centerline and the front axles) from the ground: 166 cm

**PEDESTRIAN SIDE CONTACT WORK SHEET**

PEV06 Hood Material	_____	
PEV08 Hood Length	_____	cm
PEV09 Hood Width-Forward Opening	_____	cm
PEV10 Hood Width-Midway	_____	cm
PEV11 Hood Width-Rear Opening	_____	cm

**VERTICAL MEASUREMENTS**

PEV26 Ground Clearance	_____	cm
PEV27 Side Bumper-Bottom Height	_____	cm
PEV28 Side Bumper-Top Height	_____	cm
PEV29 Centerline of Wheel	_____	cm
PEV30 Top of Tire	_____	cm
PEV31 Top of Wheel Well Opening	_____	cm
PEV32 Bottom of A-Pillar at Windshield	_____	cm
PEV33 Top of A-Pillar at Windshield	_____	cm
PEV34 Top of Side View Mirror	_____	cm

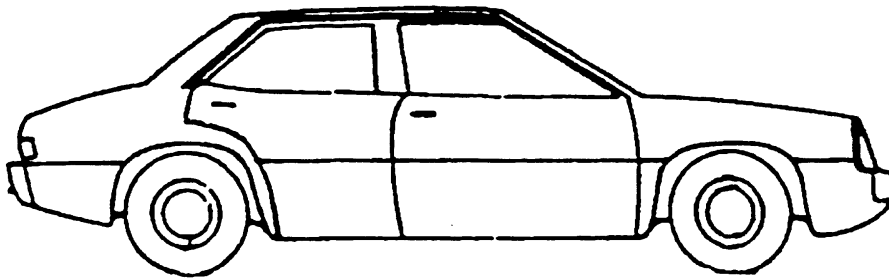
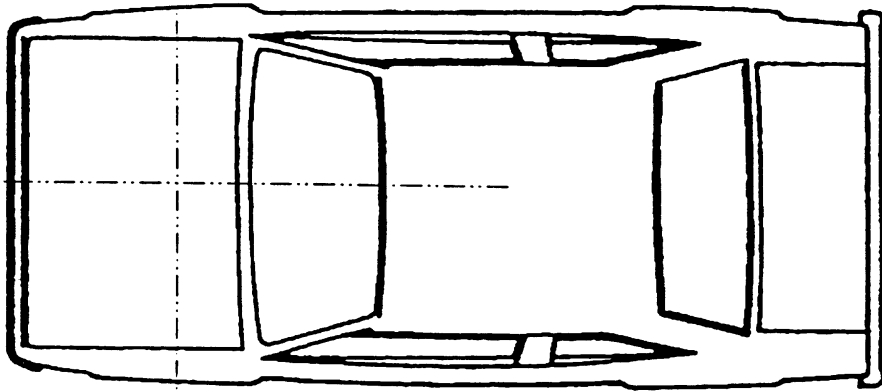
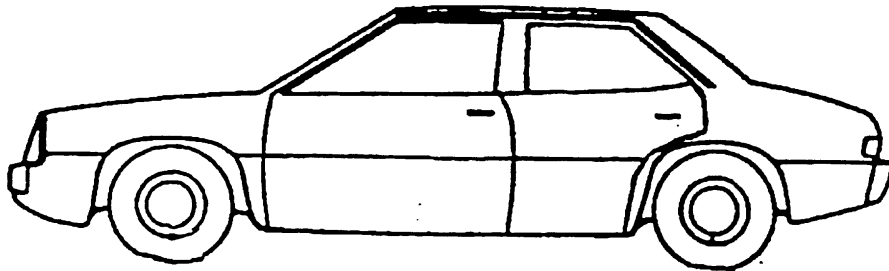
**LATERAL MEASUREMENTS**

PEV35 $C_L$ to A-Pillar at Bottom of Windshield	_____	cm
PEV36 $C_L$ to A-Pillar at Top of Windshield	_____	cm
PEV37 $C_L$ to Maximum Side View Mirror Protrusion	_____	cm

**WRAP DISTANCES**

PEV38 Ground to Side/Top Transition	_____	cm
PEV39 Ground to Hood Edge	_____	cm
PEV40 Ground to Centerline of Hood (ORIGIN)	_____	cm
PEV41 Ground to Head Contact	_____	cm

### VEHICLE DAMAGE SKETCH



NOTES: Sketch all pedestrian contacts, include the size and depth in centimeters. Locate the pedestrian contacts from the intercept point of the centerline (lateral) and the front axes (longitudinal) in centimeters. Annotate observations which might be useful in reconstructing the accident (e.g., grass in tire bead, direction of striations, scuff on sidewalls, etc.).

Location of the origin (intercept point of the centerline and the front axes) from the ground: \_\_\_\_\_ cm

## ORIGINAL SPECIFICATIONS

Wheelbase	_ <u>113.0</u>	inches	x 2.54	=	_ <u>287</u>	cm
Overall Length	_ <u>200.4</u>	inches	x 2.54	=	_ <u>509</u>	cm
Maximum Width	_ <u>72.8</u>	inches	x 2.54	=	_ <u>185</u>	cm
Curb Weight	_ <u>3.564</u>	pounds	x .4536	=	_ <u>1.620</u>	kg
Average Track	_ <u>61.0</u>	inches	x 2.54	=	_ <u>155</u>	cm
Front Overhang	_ <u>42.9</u>	inches	x 2.54	=	_ <u>109</u>	cm
Rear Overhang	_ <u>44.5</u>	inches	x 2.54	=	_ <u>113</u>	cm
Undeformed End Width	_ _ _ . _	inches	x 2.54	=	_ _ _ _	cm
Engine Size: cyl./displ.	_ _ _ _	cc	x .001	=	_ <u>3.8</u>	L
	_ _ _ _	CID	x .0164	=	_ . _	L

### INJURY SOURCE

<p><b>FRONT</b></p> <p>700 Front bumper</p> <p>701 Front lower valance/spoiler</p> <p>702 Front grille</p> <p>703 Hood edge and/or trim</p> <p>704 Hood ornament (fixed)</p> <p>705 Hood ornament (spring loaded)</p> <p>706 Headlight</p> <p>707 Retractable headlight door (Open/Closed)</p> <p>708 Turn signal/parking lights</p> <p>718 Other front or add on object (specify): _____</p> <p>719 Unknown front object</p> <p><b>Left Side Components</b></p> <p>720 Front fender side surface</p> <p>721 Front antenna</p> <p>722 A1 pillar</p> <p>723 A2 pillar</p> <p>724 B pillar</p> <p>725 C pillar</p> <p>726 D pillar</p> <p>728 Other pillar (specify): _____</p> <p>729 Left side roof rail</p> <p>730 Left side door surface</p> <p>731 Left side door handle</p> <p>732 Left side mirror fixed housing</p> <p>733 Left side folding mirror</p> <p>734 Left side glazing forward of B pillar</p> <p>735 Left side glazing rearward of B pillar</p> <p>736 Left side back fender or quarter panel</p> <p>737 Rear antenna</p> <p>738 Other left side object (specify): _____</p> <p>739 Unknown left side component</p> <p><b>Right Side Components</b></p> <p>740 Front fender side surface</p> <p>741 Front antenna</p> <p>742 A1 pillar</p> <p>743 A2 pillar</p>	<p>744 B pillar</p> <p>745 C pillar</p> <p>746 D pillar</p> <p>748 Other pillar (specify): _____</p> <p>749 Right side roof rail</p> <p>750 Right side door surface</p> <p>751 Right side door handle</p> <p>752 Right side mirror fixed housing</p> <p>753 Right side folding mirror</p> <p>754 Right side glazing forward of B pillar</p> <p>755 Right side glazing rearward of B pillar</p> <p>756 Rear antenna</p> <p>757 Rear fender or quarter panel</p> <p>758 Other right side object (specify): _____</p> <p>759 Unknown right side component</p> <p><b>Back Components</b></p> <p>760 Rear (back) bumper</p> <p>761 Tailgate</p> <p>762 Hatchback, vertical surface</p> <p>768 Other back component (specify): _____</p> <p>769 Unknown back component</p> <p><b>Top Components</b></p> <p>770 Hood surface</p> <p>771 Hood surface reinforced by under hood component</p> <p>772 Front fender top surface</p> <p>773 Cowl area</p> <p>774 Wiper blade &amp; mountings</p> <p>775 Windshield glazing</p> <p>776 Front header</p> <p>777 Roof surface</p> <p>778 Backlight glazing</p> <p>779 Rear header</p> <p>780 Hatchback</p> <p>781 Rear trunk lid</p> <p>788 Other top component (specify): _____</p> <p>789 Unknown top component</p>	<p><b>Wheels / tires</b></p> <p>790 Left front wheel / tire</p> <p>791 Right front wheel / tire</p> <p>792 Left rear wheel / tire</p> <p>793 Right rear wheel / tire</p> <p>798 Other wheel / tire (specify): _____</p> <p>799 Unknown wheel / tire</p> <p><b>Undercarriage components</b></p> <p>800 Front cross member</p> <p>801 Steering assembly/Front suspension</p> <p>802 Oil pan</p> <p>803 Exhaust system pipe</p> <p>804 Transmission</p> <p>805 Drive shaft</p> <p>806 Catalytic converter</p> <p>807 Muffler</p> <p>808 Floor pan</p> <p>809 Fuel tank</p> <p>810 Rear suspension</p> <p>818 Other undercarriage component (specify): _____</p> <p>819 Unknown undercarriage component</p> <p><b>Accessories</b></p> <p>820 Air scoop, deflector</p> <p>821 Cellular or CB radio antenna</p> <p>822 Emergency lights or bar</p> <p>823 Fog lights</p> <p>824 Luggage, ski, or bike rack</p> <p>825 Cargo (specify): _____</p> <p>826 Spare tire</p> <p>827 Spotlight</p> <p>828 Other accessory (specify): _____</p> <p><b>Other Object or Vehicle in Environment</b></p> <p>947 Ground</p> <p>948 Other object (specify): _____</p> <p>949 Unknown object in environment</p> <p>959 Unknown object on contacting vehicle</p> <p>997 Noncontact injury source</p> <p>999 Unknown injury source</p>
--	--	---







## VEHICLE DIMENSIONS

4. Original Wheelbase 287  
 \_\_\_\_\_ Code to the  
 nearest centimeter  
 (999) Unknown

\_\_\_\_\_ inches X 2.54 = \_\_\_\_\_ centimeters

5. Original Average Track Width 155  
 \_\_\_\_\_ Code to the  
 nearest centimeter  
 (185) 185 centimeters or more  
 (999) Unknown

\_\_\_\_\_ inches X 2.54 = \_\_\_\_\_ centimeters

6. Hood Material 3  
 (1) Plastic  
 (2) Fiberglass  
 (3) Steel  
 (4) Aluminum  
 (5) Stainless Steel  
 (8) Other (specify): \_\_\_\_\_  
 (9) Unknown

7. Hood Original 1  
 Equipment Manufacturer (OEM)  
 (1) OEM factory installed hood  
 (2) OEM replacement  
 (3) Non-OEM replacement  
 (9) Unknown

8. Hood Length 138  
 \_\_\_\_\_ Code to the  
 nearest centimeter  
 (180) 180 centimeters or more  
 (999) Unknown

\_\_\_\_\_ inches X 2.54 = \_\_\_\_\_ centimeter

9. Hood Width Forward Opening 147  
 \_\_\_\_\_ Code to the  
 nearest centimeter  
 (210) 210 centimeters or more  
 (999) Unknown

\_\_\_\_\_ inches X 2.54 = \_\_\_\_\_ centimeters

10. Hood Width Midway 156  
 \_\_\_\_\_ Code to the  
 nearest centimeter  
 (210) 210 centimeters or more  
 (999) Unknown

\_\_\_\_\_ inches X 2.54 = \_\_\_\_\_ centimeters

11. Hood Width Rear Opening 158  
 \_\_\_\_\_ Code to the  
 nearest centimeter  
 (210) 210 centimeters or more  
 (999) Unknown

\_\_\_\_\_ inches X 2.54 = \_\_\_\_\_ centimeters

12. Hood/Fender Vertical/Lateral Crush From Pedestrian 1  
 (0) Not damaged  
 (1) Surface scratching only, no residual crush  
 (2) Minor crush (1-3 centimeters)  
 (3) Moderate crush (4-7 centimeters)  
 (4) Severe crush (> 7 centimeters)  
 (8) Damage present, unknown if damage is from pedestrian impact  
 (9) Unknown

13. Windshield Contact Damage 0  
 From Pedestrian Contact  
 (0) Not contacted by pedestrian  
 (1) Contacted by pedestrian - not damaged  
 (2) Contacted by pedestrian - damaged  
 (3) Unknown if contacted by pedestrian - not damaged  
 (4) Unknown if contacted by pedestrian - damaged  
 (9) Unknown if contacted by pedestrian - unknown if damaged

## FRONT CONTACT DAMAGE

## Front Vertical Measurements

14. Front Bumper Cover Material 1  
 (0) No front contact  
 (1) Plastic  
 (2) Fiberglass  
 (3) Rubber  
 (4) Other (specify): \_\_\_\_\_  
 (9) Unknown

15. Front Bumper Reinforcement Material 1  
 (0) No front contact  
 (1) Steel  
 (2) Aluminum  
 (3) Stainless Steel  
 (4) Other (specify): \_\_\_\_\_  
 (9) Unknown

16. Front Bumper-Bottom Height 036  
 \_\_\_\_\_ Code to the  
 nearest centimeter  
 (000) No front contact  
 (150) 150 centimeters or more  
 (999) Unknown

\_\_\_\_\_ inches X 2.54 = \_\_\_\_\_ centimeters

17. Front Bumper-Top Height 056  
 \_\_\_\_\_ Code to the  
 nearest centimeter  
 (000) No front contact  
 (150) 150 centimeters or more  
 (999) Unknown

\_\_\_\_\_ . \_\_\_\_ inches X 2.54 = \_\_\_\_\_ centimeters

18. Forward Hood Opening 067  
 \_\_\_\_\_ Code to the  
 nearest centimeter  
 (000) No front contact  
 (200) 200 centimeters or more  
 (999) Unknown

\_\_\_\_\_ . \_\_\_\_ inches X 2.54 = \_\_\_\_\_ centimeters

19. Front Bumper Lead 12  
 (00) No front contact  
 \_\_\_\_\_ Code to the  
 nearest centimeter  
 (30) 30 centimeters or more  
 (99) Unknown

\_\_\_\_\_ . \_\_\_\_ inches X 2.54 = \_\_\_\_\_ centimeters

23. Ground to Base of Windshield 210  
 \_\_\_\_\_ Code to the  
 nearest centimeter  
 (000) No front contact  
 (400) 400 centimeters or more  
 (999) Unknown

\_\_\_\_\_ . \_\_\_\_ inches X 2.54 = \_\_\_\_\_ centimeters

24. Ground to Top of Windshield 304  
 \_\_\_\_\_ Code to the  
 nearest centimeter  
 (000) No front contact  
 (500) 500 centimeters or more  
 (999) Unknown

\_\_\_\_\_ . \_\_\_\_ inches X 2.54 = \_\_\_\_\_ centimeters

25. Ground To Head Contact 155  
 \_\_\_\_\_ Code to the  
 nearest centimeter  
 (000) No front contact  
 (400) 400 centimeters or more  
 (998) No head contact  
 (999) Unknown

\_\_\_\_\_ . \_\_\_\_ inches X 2.54 = \_\_\_\_\_ centimeters

#### Front Wrap Distance Measurements

20. Ground to Forward Hood Opening 071  
 \_\_\_\_\_ Code to the  
 nearest centimeter  
 (000) No front contact  
 (200) 200 centimeters or more  
 (999) Unknown

\_\_\_\_\_ . \_\_\_\_ inches X 2.54 = \_\_\_\_\_ centimeters

21. Ground to Front/Top Transition Point 082  
 \_\_\_\_\_ Code to the  
 nearest centimeter  
 (000) No front contact  
 (180) 180 centimeters or more  
 (999) Unknown

\_\_\_\_\_ . \_\_\_\_ inches X 2.54 = \_\_\_\_\_ centimeters

22. Ground to Rear Hood Opening 200  
 \_\_\_\_\_ Code to the  
 nearest centimeter  
 (000) No front contact  
 (400) 400 centimeters or more  
 (999) Unknown

\_\_\_\_\_ . \_\_\_\_ inches X 2.54 = \_\_\_\_\_ centimeters

#### SIDE CONTACT DAMAGE

##### Side Vertical Measurements

26. Ground Clearance 000  
 \_\_\_\_\_ Code to the  
 nearest centimeter  
 (000) No side contact  
 (150) 150 centimeters or more  
 (999) Unknown

\_\_\_\_\_ . \_\_\_\_ inches X 2.54 = \_\_\_\_\_ centimeters

27. Side Bumper-Bottom Height 000  
 \_\_\_\_\_ Code to the  
 nearest centimeter  
 (000) No side contact  
 (150) 150 centimeters or more  
 (999) Unknown

\_\_\_\_\_ . \_\_\_\_ inches X 2.54 = \_\_\_\_\_ centimeters

28. Side Bumper-Top Height 000  
 \_\_\_\_\_ Code to the  
 nearest centimeter  
 (000) No side contact  
 (150) 150 centimeters or more  
 (999) Unknown

\_\_\_\_\_ . \_\_\_\_ inches X 2.54 = \_\_\_\_\_ centimeters

29. Centerline of Wheel 000  
 \_\_\_\_\_ Code to the  
 nearest centimeter  
 (000) No side contact  
 (150) 150 centimeters or more  
 (999) Unknown

\_\_\_\_\_ inches X 2.54 = \_\_\_\_\_ centimeters

30. Top of Tire 000  
 \_\_\_\_\_ Code to the  
 nearest centimeter  
 (000) No side contact  
 (200) 200 centimeters or more  
 (999) Unknown

\_\_\_\_\_ inches X 2.54 = \_\_\_\_\_ centimeters

31. Top of Wheel Well Opening 000  
 \_\_\_\_\_ Code to the  
 nearest centimeter  
 (000) No side contact  
 (250) 250 centimeters or more  
 (999) Unknown

\_\_\_\_\_ inches X 2.54 = \_\_\_\_\_ centimeters

32. Bottom of A-Pillar at Windshield 000  
 \_\_\_\_\_ Code to the  
 nearest centimeter  
 (000) No side contact  
 (250) 250 centimeters or more  
 (999) Unknown

\_\_\_\_\_ inches X 2.54 = \_\_\_\_\_ centimeters

33. Top of A-Pillar at Windshield 000  
 \_\_\_\_\_ Code to the  
 nearest centimeter  
 (000) No side contact  
 (300) 300 centimeters or more  
 (999) Unknown

\_\_\_\_\_ inches X 2.54 = \_\_\_\_\_ centimeters

34. Top of Side View Mirror 000  
 \_\_\_\_\_ Code to the  
 nearest centimeter  
 (000) No side contact  
 (300) 300 centimeters or more  
 (999) Unknown

\_\_\_\_\_ inches X 2.54 = \_\_\_\_\_ centimeters

**Side Lateral Measurements**

35. Centerline to A-Pillar  
 at Bottom of Windshield 000  
 (000) No side contact  
 \_\_\_\_\_ Code to the  
 nearest centimeter  
 (250) 250 centimeters or more  
 (999) Unknown

\_\_\_\_\_ inches X 2.54 = \_\_\_\_\_ centimeters

36. Centerline to A-Pillar  
 at Top of Windshield 000  
 \_\_\_\_\_ Code to the  
 nearest centimeter  
 (000) No side contact  
 (250) 250 centimeters or more  
 (999) Unknown

\_\_\_\_\_ inches X 2.54 = \_\_\_\_\_ centimeter

37. Centerline to Maximum Side  
 View Mirror Protrusion 000  
 \_\_\_\_\_ Code to the  
 nearest centimeter  
 (000) No side contact  
 (300) 300 centimeters or more  
 (999) Unknown

\_\_\_\_\_ inches X 2.54 = \_\_\_\_\_ centimeter

**Side Wrap Distance Measurements**

38. Ground to Side/Top Transition 000  
 \_\_\_\_\_ Code to the  
 nearest centimeter  
 (000) No side contact  
 (400) 400 centimeters or more  
 (999) Unknown

\_\_\_\_\_ inches X 2.54 = \_\_\_\_\_ centimeters

39. Ground to Hood Edge 000  
 \_\_\_\_\_ Code to the  
 nearest centimeter  
 (000) No side contact  
 (500) 500 centimeters or more  
 (999) Unknown

\_\_\_\_\_ inches X 2.54 = \_\_\_\_\_ centimeters

40. Ground to Centerline of Hood

000

Code to the nearest centimeter

(000) No side contact

(700) 700 centimeters or more

(999) Unknown

\_\_\_\_\_ inches X 2.54 = \_\_\_\_\_ centimeters

41. Ground to Head Contact

000

Code to the nearest centimeter

(000) No side contact

(800) 800 centimeters or more

(998) No head contact

(999) Unknown

\_\_\_\_\_ inches X 2.54 = \_\_\_\_\_ centimeters

Final Update [redacted]-97 R.C.

1

PSU40  
CASE 607P

1997 PEDESTRIAN ACCIDENT FORM

IDENTIFICATION

3. Number of General Vehicle Forms Submitted	01
4. Date of Accident (Month, Day, Year)	[redacted]/97
5. Time of Accident (military time)	2000

SPECIAL STUDIES - INDICATORS

6. SS15	0	7. SS16	1	8. SS17	0	9. SS18	0	10. SS19	0
---------	---	---------	---	---------	---	---------	---	----------	---

NUMBER OF EVENTS

11. Number of Recorded Events in This Accident	01
01	

PSU40  
CASE 607P

## 1997 PEDESTRIAN ACCIDENT FORM

## PEDESTRIAN ACCIDENT EVENTS

Accident Sequence Number	Vehicle Number	Class of Vehicle	General Area of Damage	Veh. Num. or Obj. Cont.	Class of Vehicle	General Area of Damage
12. 01	13. 01	14. 04	15. F	16. 72	17. 00	18. 0

01



PEDESTRIAN'S CHARACTERISTICS

4. Pedestrian's Age	67
5. Pedestrian's Sex	1
6. Pedestrian's Overall Height	999
7. Pedestrian's Height - Ground to Knee	99
8. Pedestrian's Height - Ground to Hip	999
9. Pedestrian's Height - Ground to Shoulder	999
10. Pedestrian's Weight	999

PEDESTRIAN'S PRE-AVOIDANCE ACTIONS

11. Pedestrian's Attitude	1
12. Pedestrian's Motion	1
13. Pedestrian's Actions Relative to Vehicle	01
14. Pedestrian's Body (Chest) Orientation Relative to Striking Vehicle Prior to Avoidance Actions	4

PEDESTRIAN'S AVOIDANCE ACTIONS

15. Pedestrian's First Avoidance Actions	00
--	----

PEDESTRIAN'S ORIENTATION AT IMPACT

16. Pedestrian's Head Orientation at Initial Impact	1
17. Pedestrian's Body (Chest) Orientation at Initial Impact	4
18. Pedestrian's Arm Orientation at Initial Impact	01
19. Pedestrian's Leg Orientation at Initial Impact	99
20. Vehicle/Pedestrian's Interaction	08

OFFICIAL RECORDS

21. Police Reported Alcohol Presence For Pedestrian	7
22. Alcohol Test Result For Pedestrian	96
23. Police Reported Other Drug Presence For Pedestrian	0
24. Other Drug Specimen Test Result For Pedestrian	0

INJURY CONSEQUENCES

25. Injury Severity (Police Rating)	2
26. Treatment - Mortality	4
27. Type of Medical Facility (for Initial Treatment)	2
28. Hospital Stay	00
29. Working Days Lost	97

(COMPLETED BY THE ZONE CENTER)

30. Glasgow Coma Scale Score	15
31. Was the Pedestrian Given Blood?	1
32. Arterial Blood Gases	01
33. Time to Death	00
34. 1st Medically Reported Cause of Death	00
35. 2nd Medically Reported Cause of Death	00
36. 3rd Medically Reported Cause of Death	00
37. Number of Recorded Injuries for This Pedestrian	04

PSU40  
CASE 607P  
VEHICLE 01 PEDESTRIAN 01

1997 PEDESTRIAN INJURY FORM

PEDESTRIAN INJURY DATA

	Source of Inj. Data	Body Reg.	Type of Anat. Struc.	Spec. Anat. Struc.	Lev. of Inj.	AIS Sev.	Asp.	Inj. Source	Inj. Conf. Level	Dir./ Indir. Inj.	Str. Pro.	Type of Dmg.	Dmg. Dep.
01.	3	2	9	04	02	1	7	770	1	1	2	3	3
02.	3	8	9	02	02	1	2	700	1	1	1	2	2
03.	3	8	9	04	02	1	2	700	1	1	1	2	2
04.	3	8	5	34	06	2	1	700	1	1	1	2	2

VEHICLE IDENTIFICATION

4. Vehicle Model Year 95  
5. Vehicle Make 12  
6. Vehicle Model 004  
7. Body Type 02  
8. Vehicle Identification Number 1FALP62455H1 [REDACTED]

OFFICIAL RECORDS

9. Police Reported Travel Speed 999  
10. Speed Limit 048  
11. Police Reported Alcohol Presence For Driver 0  
12. Alcohol Test Result For Driver 96  
13. Police Reported Other Drug Presence 0  
14. Other Drug Specimen Test Result for Driver 9

VEHICLE WEIGHT ITEMS

15. Vehicle Curb Weight 1,620  
16. Vehicle Cargo Weight 0,000

OTHER DATA

17. Vehicle Special Use (This Trip) 0

RECONSTRUCTION DATA (COMPLETED BY THE ZONE CENTER)

18. Impact Speed +999  
19. Accuracy Range of Impact Speed Estimate 9  
20. Data Source of Impact Speed 0

PRECRASH DATA

21. Driver's Attention to Driving 1  
22. Pre-Event Vehicle Movement 01

PRECRASH DATA (continued)

23. Critical Precrash Event 80  
24. Attempted Avoidance Maneuver 02  
25. Precrash Stability After Avoidance Maneuver 2  
26. Precrash Directional Consequences of  
Avoidance Manuver (Corrective Action) 2

ENVIRONMENTAL DATA

27. Relation to Junction 0  
28. Trafficway Flow 1  
29. Number of Travel Lanes 4  
30. Roadway Alignment 1  
31. Roadway Profile 1  
32. Roadway Surface Type 2  
33. Roadway Surface Condition 1  
34. Traffic Control Device 0  
35. Traffic Control Device Functioning 0  
36. Light Conditions 3  
37. Atmospheric Conditions 1  
01

VEHICLE DIMENSIONS

4. Original Wheelbase	287
5. Original Average Track Width	155
6. Hood Material	3
7. Hood Original Equip. Manufacturer	1
8. Hood Length	138
9. Hood Width Forward Opening	147
10. Hood Width Midway	156
11. Hood Width Rear Opening	158
12. Hood/Fender Vertical/Lateral Crush From Pedestrian	1
13. Windshield Contact Damage From Pedestrian Contact	0

FRONT CONTACT DAMAGE

FRONT VERTICAL MEASUREMENTS

14. Front Bumper Cover Material	1	15. Front Bumper Reinforcement Mat.	1
16. Front Bumper-Bottom Height	036	17. Front Bumper-Top Height	056
18. Forward Hood Opening	067	19. Front Bumper Lead	12

FRONT WRAP DISTANCE MEASUREMENTS

20. Ground to Fwd. Hood Opening	071	21. Ground to Front/Top Transition Pt	082
22. Ground to Rear Hood Opening	200	23. Ground to Base of Windshield	210
24. Ground to Top of Windshield	304	25. Ground to Head Contact.	155

SIDE CONTACT DAMAGE

SIDE VERTICAL MEASUREMENTS

26. Ground Clearance	000
27. Side Bumper-Bottom Height	000
28. Side Bumper-Top Height	000
29. Centerline of Wheel	000
30. Top of Tire	000
31. Top of Wheel Well Opening	000
32. Bottom of A-Pillar at Windshield	000
33. Top of A-Pillar at Windshield	000
34. Top of Side View Mirror	000

SIDE CONTACT DAMAGE (continued)

SIDE LATERAL MEASUREMENTS

35. Centerline to A-Pillar at Bottom of Windshield	000
36. Centerline to A-Pillar at Top of Windshield	000
37. Centerline to Maximum Side View Mirror Protrusion	000

SIDE WRAP DISTANCE MEASUREMENTS

38. Ground to Side/Top Transition	000
39. Ground to Hood Edge	000
40. Ground to Centerline of Hood (Origin)	000
41. Ground to Head Contact	000

