



U.S. Department  
of Transportation

**National Highway  
Traffic Safety  
Administration**

400 Seventh Street, S.W.  
Washington, D.C. 20590

Dear Crash Data Researchers/Users:

Thank you for choosing crash data from the National Highway Traffic Safety Administration (NHTSA) for your research or other use. The information contained in this motor vehicle crash report is collected, maintained and distributed in accordance with Public Law 89-564. In accordance with this Public Law, NHTSA is required not to release any case information until completion of quality control procedures. These procedures include a review of the case material to extract all names, licenses and registration numbers, non-coded interview material, non-research related researcher comments in the margins, non-factual data, and the production number portion of the vehicle identification number (VIN).

If you requested NHTSA to query its database files in order to identify a specific crash, then that query was made using non-personal descriptors you provided for use in our search. This motor vehicle crash may have been identified from a data search and matches the general, non-personal descriptors you provided, but we cannot confirm that this is the specific crash report you requested.

If you have any questions with regard to the above procedures, please contact the Field Operations Branch, Crash Investigation Division, National Center for Statistics and Analysis at 202-366-4820. Again, please be advised that we cannot confirm that this is the case that you have specifically requested nor can we certify the information to be correct.

\*\*\*    \*\*\*    \*\*\*



AUTO SAFETY HOTLINE  
(800) 424-9393  
Wash. D.C. Area 366-0123



**PEDESTRIAN CASE SUMMARY**

NATIONAL ACCIDENT SAMPLING SYSTEM  
PEDESTRIAN CRASH DATA STUDY

PSU 40 CASE NO. 613 P TYPE OF ACCIDENT CAR/PEDESTRIAN CROSSING ROAD STRAIGHT  
AZ

**A. DESCRIPTION OF THE ACCIDENT SEQUENCE AND ACCIDENT PECULIARITIES**

(Provide a summary of the accident sequence as well as any particular event of the accident that is noteworthy. Pedestrian injury mechanism and vehicle interaction is the focus, not pedestrian or driver culpability. Do not include any personal identifiers.) VEHICLE #1 TRAVELLING NORTH IN INTERSECTION WHEN IT STRUCK PEDESTRIAN WHO WAS CROSSING THE ROAD STRAIGHT FROM WEST TO EAST, PEDESTRIAN WAS STRUCK WITH THE RIGHT FRONT OF VEHICLE, THEN PED SLID UP ON THE HOOD AND CRASHED INTO THE WINDSHIELD. VEHICLE #1 LEFT SCENE BUT WAS LATER RECOVERED, PED WAS TRANSPORTED TO MEDICAL CENTER.

**B. PEDESTRIAN PROFILE**

Pedestrian No.	Age	Sex	Treatment/Mortality	Most Severe Injury (TO BE COMPLETED BY ZONE CENTER)			
				Body Region	Ana. Struc.	AIS	Injury Source
01	64	1	4	BRAIN	CONCUSSIVE	2	Windshield

Body Region	Type of Anatomic Structure	Abbreviated Injury Scale
Head	Whole Area	(1) Minor injury
Face	Vessels	(2) Moderate injury
Throat	Nerves	(3) Serious injury
Chest	Organs	(4) Severe injury
Abdomen/Pelvis	Skeletal	(5) Critical injury
Spine	Head-LOC	(6) Maximum (untreatable)
Upper Extremity	Skin-Burn	(7) Injured, unknown severity
Lower Extremity	Skin-Other	
External		

**C. VEHICLE PROFILE**

Vehicle No.	Class of Vehicle	Year/Make/Model	Most Severe Damage Based on Vehicle Inspection	
			Damage Plane	Damage Description
01	SUB COMPACT	87 MAZDA 626	FRONT	SEVERE

**DO NOT SANITIZE THIS FORM**



# ACCIDENT COLLISION DIAGRAM

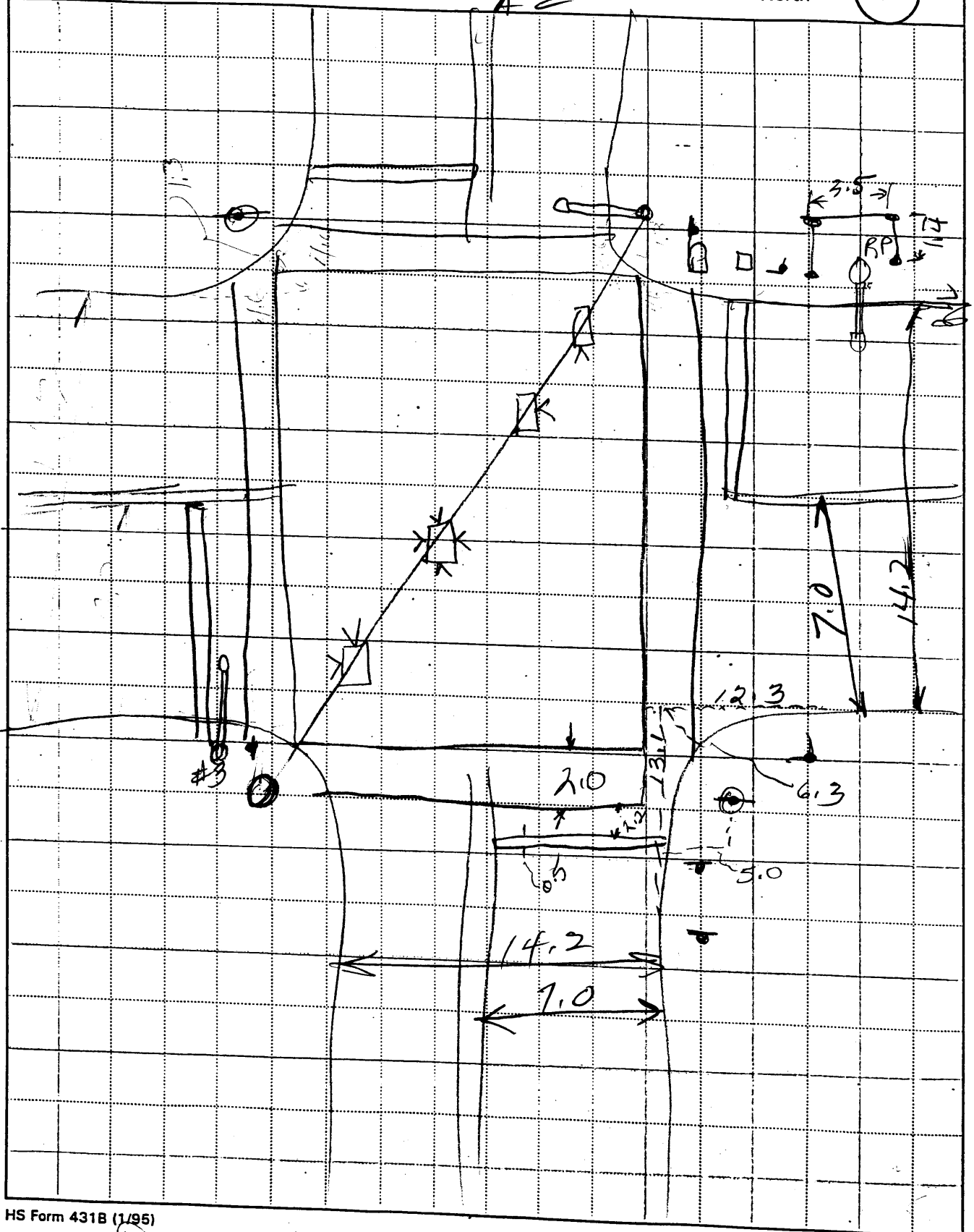
BEST AVAILABLE

NATIONAL ACCIDENT SAMPLING SYSTEM  
CRASHWORTHINESS DATA SYSTEM

PSU No. 40

Case Number—Stratum 613  
A2P

Indicate  
North



*Done* 91

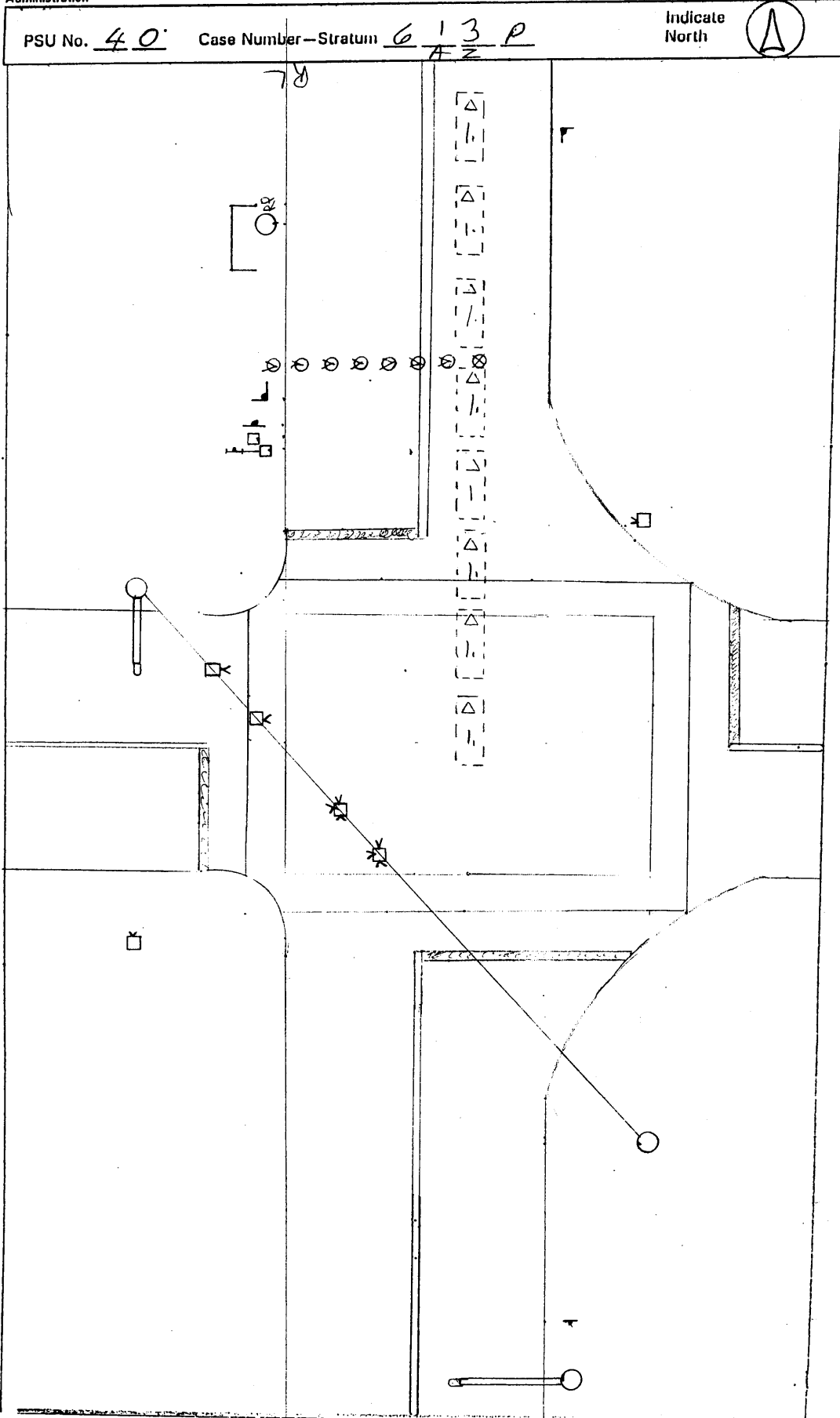


U.S. Department of Transportation  
National Highway Traffic Safety  
Administration

# ACCIDENT COLLISION DIAGRAM

BEST AVAILABLE

NATIONAL ACCIDENT SAMPLING SYSTEM  
CRASHWORTHINESS DATA SYSTEM





# PEDESTRIAN ACCIDENT COLLISION MEASUREMENT TABLE

BEST AVAILABLE

NATIONAL ACCIDENT SAMPLING SYSTEM  
PEDESTRIAN CRASH DATA STUDY

Primary Sampling Unit Number 40

Case Number-Stratum 6 13 P  
A Z

PEDESTRIAN ACCIDENT COLLISION DATA COLLECTION

SCALED DIAGRAM

24.4  
+ 6  
29.0

30.2

<ul style="list-style-type: none"> <li>document reference point and reference line relative to physical features</li> <li>documentation of all accident induced physical evidence including (if applicable):                             <ul style="list-style-type: none"> <li>a) vehicle skid marks</li> <li>b) pedestrian contacts with ground or object</li> <li>c) vehicle/pedestrian point of impact (POI)</li> <li>d) location of pedestrian separation point from vehicle</li> <li>f) final resting points (FRP) for pedestrian and vehicle</li> </ul> </li> </ul>	Surface Type <u>ASPHALT</u>	<ul style="list-style-type: none"> <li>north arrow placed on diagram</li> <li>grade measurements for all applicable roadways</li> <li>scaled representations of the physical plant including:                             <ul style="list-style-type: none"> <li>a) all road/roadway delineation (e.g., crosswalks, curb/edge lines, lane markings, medians, pavement markings, parked vehicles, poles, signs, etc.)</li> <li>b) all traffic controls (e.g., lights, signs)</li> </ul> </li> <li>scaled representations of the vehicle and pedestrian at pre-impact, impact, and final rest based upon either:                             <ul style="list-style-type: none"> <li>a) physical evidence, or</li> <li>b) reconstructed accident dynamics</li> </ul> </li> </ul>
	Surface Condition <u>WET</u>	
<ul style="list-style-type: none"> <li>documentation of the physical plant including:                             <ul style="list-style-type: none"> <li>a) all road/roadway delineation (e.g., crosswalks, curb/edge lines, lane markings, medians, pavement markings, parked vehicles, poles, signs, etc.)</li> <li>b) all traffic controls (e.g., lights, signs)</li> </ul> </li> </ul>	Coefficient of Friction _____	<ul style="list-style-type: none"> <li>a) at impact <u>LEVEL</u></li> <li>b) between impact and final rest _____</li> </ul>
	Grade (v/h) Measurement	
	Vehicle Travel Direction <u>NORTH</u>	
	Number of Travel Lanes <u>4</u>	

Reference Point: LIGHT POLE

Reference Line: WEST CURBLINE

Item	Distance and Direction from Reference Point	Distance and Direction from Reference Line
R.P.	0.0	0.7 W
BUS STOP SHELTER N-E POST	1.0 N	1.6 W
FIRE HYDRANT WEST SIDE	9.6 S	1.0 W
NO TURN ON RED SIGN NW	11.0 S	1.1 W
MAIL BOX / BUS STOP SIGN	12.4 S	0.8 W
WALK-DONT WALK SIGNAL NE	15.2 S	19.1 E
FIRE HYDRANT EAST SIDE	2.5 N	14.8 E
LIGHT POLE #3 S-E CORNER	63.3 S	15.0 E
NO TURN ON RED SIGN SE	60.0 S	15.2 E
FIRE BOX NW SIDE	11.6 S	1.5 W
LIGHT SIGNAL STANDARD NW CORNER	20.6 S	7.9 W



**PEDESTRIAN ACCIDENT FORM** NATIONAL ACCIDENT SAMPLING SYSTEM  
PEDESTRIAN CRASH DATA STUDY

1. Primary Sampling Unit Number 40  
2. Case Number - Stratum 613 P  
AZ

**IDENTIFICATION**

3. Number of General Vehicle Forms Submitted 0 1  
4. Date of Accident (Month, Day, Year) 1 98  
5. Time of Accident 2 1 40

Code reported military time of accident.

NOTE: Midnight = 2400  
Unknown = 9999

**SPECIAL STUDIES - INDICATORS**

Check (✓) each special study (SS15-SS19 below) that has been completed; code 1 for the checked special studies and 0 for the special studies not checked.

6.    SS15 Administrative Use 0  
7. ✓ SS16 Pedestrian Crash Data Study 1  
8.    SS17 Impact Fires 0  
9.    SS18    0  
10.    SS19    0

**NUMBER OF EVENTS**

11. Number of Recorded Events in This Accident 0 1

**PEDESTRIAN STUDY CRITERIA**

**Pedestrian Definition:**

Any person who is on a trafficway or on a sidewalk or path contiguous with a trafficway, or on private property (e.g., parking lot). Note: Pedestrians include persons who are in contact with the ground, roadway, etc. and are pushing carts, wagons, etc. or holding on to a vehicle.

Persons in or on a nonmotorist conveyance are not pedestrians and are excluded from this study. A nonmotorist conveyance is defined as any human powered device by which a nonmotorist may move, or by which a pedestrian or nonmotorist may move another nonmotorist. A nonmotorist conveyance for purposes of this study includes the following: bicycles, baby carriages, roller skates/blades, push carts, scooters, wheelchairs, animals, etc. For example, persons on a bicycle/scooter, roller skating/blading, in a baby carriage/push cart/wheelchair or on a horse are excluded.

**Case Selection Criteria:**

A forward moving, late model year (VEH04 equals 90 to 95) CDS applicable vehicle (VEH07 equals 01 to 49) must strike a pedestrian.

The striking portion of the vehicle structure must be original equipment manufacturer (OEM) without previous damage and or parts removed in the impact area. For example, vehicles equipped with deer guards, winches, snow plows, etc. or previously damaged in the impact area are excluded.

The pedestrian may not be lying or sitting.

The pedestrian impact(s) are the vehicle's only impact(s). If multiple pedestrians are impacted, each pedestrian shall be a separate case.

The first point of contact between the late model year, CDS applicable vehicle and the pedestrian must be forward of the top of the A pillar.

**PEDESTRIAN ACCIDENT EVENTS**

Accident Event Sequence Number	Vehicle Number	Class Of Vehicle	General Area of Damage	Vehicle Number or Object Contacted	Class Of Vehicle	General Area of Damage
12. <u>0 1</u>	13. <u>0 1</u>	14. <u>0 1</u>	15. <u>F</u>	16. <u>7 2</u>	17. <u>0 0</u>	18. <u>0</u>

**CODES FOR  
CLASS OF VEHICLE**

- (00) Not a motor vehicle
- (01) Subcompact/mini (wheelbase < 254 cm)
- (02) Compact (wheelbase ≥ 254 but < 265 cm)
- (03) Intermediate (wheelbase ≥ 265 but < 278 cm)
- (04) Full size (wheelbase ≥ 278 but < 291 cm)
- (05) Largest (wheelbase ≥ 291 cm)
- (09) Unknown passenger car size
- (11) Compact utility vehicle
- (12) Large utility vehicle (≤ 4,500 kgs GVWR)
- (13) Passenger van (≤ 4,500 kgs GVWR)
- (14) Other van (≤ 4,500 kgs GVWR)
- (15) Pickup truck (≤ 4,500 kgs GVWR)
- (18) Other truck (≤ 4,500 kgs GVWR)
- (19) Unknown light truck type

**CODES FOR GENERAL AREA  
OF DAMAGE (GAD)**

**CDS APPLICABLE  
VEHICLES**

- (F) Front
- (R) Right side
- (L) Left side
- (U) Undercarriage
- (9) Unknown

**CODES FOR VEHICLE NUMBER OR OBJECT CONTACTED**

Collision with Nonfixed Object

- (72) Pedestrian



1. Primary Sampling Unit Number 40  
2. Case Number - Stratum 6 13 P  
A 2  
3. Vehicle Number 0 1

**OFFICIAL RECORDS**

9. Police Reported Travel Speed 999  
Code to the nearest kmph (NOTE: 000 means less than 0.5 kmph)  
(160) 159.5 kmph and above  
(999) Unknown  
\_\_\_\_ mph X 1.6093 = \_\_\_\_\_ kmph

**VEHICLE IDENTIFICATION**

4. Vehicle Model Year 87  
Code the last two digits of the model year  
(99) Unknown

10. Speed Limit 048  
(000) No statutory limit  
Code posted or statutory speed limit in kmph  
(999) Unknown  
30 mph X 1.6093 = 48 kmph

5. Vehicle Make (specify): 41  
MAZDA  
Applicable codes are found in your NASS PCDS Data Collection, Coding and Editing Manual.  
(99) Unknown

11. Police Reported Alcohol Presence For Driver 7  
(0) No alcohol present  
(1) Yes alcohol present  
(7) Not reported  
(8) No driver present  
(9) Unknown

6. Vehicle Model (specify): 037  
626  
Applicable codes are found in your NASS PCDS Data Collection, Coding and Editing Manual.  
(999) Unknown

12. Alcohol Test Result For Driver 96  
Code actual value (decimal implied before first digit—0.xx)  
(95) Test refused  
(96) None given  
(97) AC (Alcohol Content) test performed, results unknown  
(98) No driver present  
(99) Unknown  
Source: \_\_\_\_\_

7. Body Type 04  
Note: Applicable codes may be found on the back of this page.

Source: \_\_\_\_\_

8. Vehicle Identification Number  
JM1GC221XH1  
1 2 3 4 5 6 7 8 9 10 11 12 13 14 15 16 17

13. Police Reported Other Drug Presence For Driver 0  
(0) No other drug(s) present  
(1) Yes other drug(s) present  
(7) Not reported  
(8) No driver present  
(9) Unknown

Left justify; Slash zeros and letter Z (0 and Z)  
No VIN—Code all zeros  
Unknown—Code all nines

14. Other Drug Specimen Test Result For Driver 0  
(0) No specimen test given  
(1) Drug not found in specimen  
(2) Drug found in specimen (specify): \_\_\_\_\_  
(3) Specimen test given, results unknown or not obtained  
(8) No driver present  
(9) Unknown

# CODES FOR BODY TYPE

## CDS APPLICABLE VEHICLES

### *Automobiles*

- (01) Convertible (excludes sun-roof, t-bar)
- (02) 2-door sedan, hardtop, coupe
- (03) 3-door/2-door hatchback
- (04) 4-door sedan, hardtop
- (05) 5-door/4-door hatchback
- (06) Station wagon (excluding van and truck based)
- (07) Hatchback, number of doors unknown
- (08) Other automobile type (specify): \_\_\_\_\_
- (09) Unknown automobile type

### *Automobile Derivatives*

- (10) Auto based pickup (includes El Camino, Caballero, Ranchero, Brat, and Rabbit pickup)
- (11) Auto based panel (cargo station wagon, auto based ambulance/hearse)
- (12) Large limousine - more than four side doors or stretched chassis
- (13) Three-wheel automobile or automobile derivative

### *Utility Vehicles (≤ 4,500 kgs GVWR)*

- (14) Compact utility (Jeep CJ-2 - CJ-7, Scrambler, Golden Eagle, Renegade, Laredo, Wrangler, Cherokee [84 and after], Dispatcher, Raider, Bronco II, Bronco [76 and before], Explorer, S-10 Blazer, Geo Tracker, Bravada, S-15 Jimmy, Thing, Pathfinder, Trooper, Trooper II, Rodeo, Amigo, Navajo, 4-Runner, Montero, Samurai, Sidekick, Rocky)
- (15) Large utility (includes Jeep Cherokee [83 and before], Ramcharger, Trailduster, Bronco-fullsize [78 and after], fullsize Blazer, fullsize Jimmy, Landcruiser, Rover, Scout)
- (16) Utility station wagon (Chevy Suburban, GMC Suburban, Travelall, Grand Wagoneer, includes suburban limousine)
- (19) Utility, unknown body type

### *Van Based Light Trucks (≤ 4,500 kgs GVWR)*

- (20) Minivan (Chrysler Town and Country, Caravan, Grand Caravan, Voyager, Grand Voyager, Mini-Ram, Dodge/Plymouth Vista, Aerostar, Villager, Lumina APV, Trans Sport, Silhouette, Astro, Safari, Toyota Van, Toyota Minivan, Previa, Nissan Minivan, Quest, Mitsubishi Minivan, Vanagon/Camper.)
- (21) Large van (B150-B350, Sportsman, Royal, Maxiwagon, Ram, Tradesman, Voyager [83 and before], E150-E350, Econoline, Clubwagon, Chateau, G10-G30, Chevy Van, Beauville, Sport Van, G15-G35, Rally Van, Vandura.)
- (22) Step van or walk-in van (≤ 4,500 kgs GVWR)
- (23) Van based motorhome (≤ 4,500 kgs GVWR)
- (24) Van based school bus (≤ 4,500 kgs GVWR)
- (25) Van based other bus (≤ 4,500 kgs GVWR)
- (28) Other van type (Hi-Cube Van, Kary) (specify): \_\_\_\_\_
- (29) Unknown van type

### *Light Conventional Trucks (Pickup style cab, ≤ 4,500 kgs GVWR)*

- (30) Compact pickup (D50, Colt P/U, Ram 50, Dakota, Arrow Pickup [foreign], Ranger, Courier, S-10, T-10, LUV, S-15, T-15, Sonoma, Datsun/Nissan Pickup, P'up, Mazda Pickup, Toyota Pickup, Mitsubishi Pickup)
- (31) Large Pickup (Jeep Pickup, Comanche, Ram Pickup, D100-D350, W100-W350, F100-F350, C10-C35, K10-K35, R10-R35, V10-V35, Silverado, Sierra, R100-R500,)

- (32) Pickup with slide-in camper
- (33) Convertible pickup
- (39) Unknown pickup style light conventional truck type

### *Other Light Trucks (≤ 4,500 kgs GVWR)*

- (40) Cab chassis based (includes rescue vehicles, light stake, dump, and tow truck)
- (41) Truck based panel
- (42) Light truck based motorhome (chassis mounted)
- (45) Other light conventional truck type
- (48) Unknown light truck type
- (49) Unknown light vehicle type (automobile, utility, van, or light truck)

## OTHER VEHICLES

### *Buses (Excludes Van Based)*

- (50) School bus (designed to carry students, not cross country or transit)
- (58) Other bus type (e.g., transit, intercity, bus based motorhome) (specify): \_\_\_\_\_
- (59) Unknown bus type

### *Medium/Heavy Trucks (> 4,500 kgs GVWR)*

- (60) Step van (> 4,500 kgs GVWR)
- (61) Single unit straight truck (4,500 kgs < GVWR ≤ 8,850 kgs)
- (62) Single unit straight truck (8,850 kgs < GVWR ≤ 12,000 kgs)
- (63) Single unit straight truck (> 12,000 kgs GVWR)
- (64) Single unit straight truck, GVWR unknown
- (65) Medium/heavy truck based motorhome
- (67) Truck-tractor with no cargo trailer
- (68) Truck-tractor pulling one trailer
- (69) Truck-tractor pulling two or more trailers
- (70) Truck-tractor (unknown if pulling trailer)
- (78) Unknown medium/heavy truck type
- (79) Unknown truck type (light/medium/heavy)

### *Motored Cycles (Does Not Include All-Terrain Vehicles/Cycles)*

- (80) Motorcycle
- (81) Moped (motorized bicycle)
- (82) Three-wheel motorcycle or moped
- (88) Other motored cycle (minibike, motorscooter) (specify): \_\_\_\_\_
- (89) Unknown motored cycle type

### *Other Vehicles*

- (90) ATV (All-Terrain Vehicle) and ATC (All-Terrain Cycle)
- (91) Snowmobile
- (92) Farm equipment other than trucks
- (93) Construction equipment other than trucks
- (97) Other vehicle type
- (99) Unknown body type

## VEHICLE WEIGHT ITEMS

15. Vehicle Curb Weight 7.110  
 \_\_\_\_\_ Code weight to nearest 10 kilograms.  
 (045) Less than 450 kilograms  
 (610) 6,100 kilograms or more  
 (999) Unknown

$$2444.2 \text{ lbs} \times .4536 = 1.111 \text{ kgs}$$

Source: \_\_\_\_\_

16. Vehicle Cargo Weight 9.990  
 \_\_\_\_\_ Code weight to nearest 10 kilograms.  
 (000) Less than 5 kilograms  
 (450) 4,500 kilograms or more  
 (999) Unknown

$$\text{_____ lbs} \times .4536 = \text{_____ kgs}$$

## OTHER DATA

17. Vehicle Special Use (This Trip) 0  
 (0) No special use  
 (1) Taxi  
 (2) Vehicle used as school bus  
 (3) Vehicle used as other bus  
 (4) Military  
 (5) Police  
 (6) Ambulance  
 (7) Fire truck or car  
 (8) Other (specify): \_\_\_\_\_  
 (9) Unknown

**STOP - VARIABLES 18 THROUGH 20  
 ARE COMPLETED BY THE ZONE CENTER**

## RECONSTRUCTION DATA

18. Impact Speed + 999  
 \_\_\_\_\_ Nearest kmph

(NOTE: 000 means greater than .5 kmph)  
 (160) 159.5 kmph and above  
 (999) Unknown

19. Accuracy Range of Impact Speed Estimate 9  
 (0) No reconstruction  
 (1) Less than 2 kmph  
 (2)  $\geq 2$  kmph and  $\leq 8$  kmph  
 (3)  $\geq 9$  kmph and  $\leq 16$  kmph  
 (4)  $\geq 17$  kmph and  $\leq 26$  kmph  
 (9) Unknown

20. Data Source of Impact Speed 0  
 (0) No impact speed calculated  
 (1) Zone center calculation  
 (2) Police calculation  
 (3) Driver/witness/police estimates

## PRECRASH DATA

21. Driver's Attention to Driving 9  
 (Prior to Recognition of Critical Event)  
 (1) Full attention to driving  
 (2) Distracted by other occupant  
 (3) Distracted by moving object in vehicle  
 (4) Distracted by outside person, object, or event  
 (5) Talking on cellular phone or CB radio  
 Specify: \_\_\_\_\_  
 (6) Sleeping or dozing while driving  
 (8) Other (specify): \_\_\_\_\_  
 (9) Unknown

22. Pre-Event Vehicle Movement 01  
 (Prior to Recognition of Critical Event)  
 (01) Going straight  
 (02) Slowing or stopping in traffic lane  
 (03) Starting in traffic lane  
 (04) Stopped in traffic lane  
 (05) Passing or overtaking another vehicle  
 (06) Disabled or parked in travel lane  
 (07) Leaving a parking position  
 (08) Entering a parking position  
 (09) Turning right  
 (10) Turning left  
 (11) Making a U-turn  
 (12) Backing up (other than for parking position)  
 (13) Negotiating a curve  
 (14) Changing lanes  
 (15) Merging  
 (16) Successful avoidance maneuver to a previous critical event  
 (97) Other (specify): \_\_\_\_\_  
 (98) No driver present  
 (99) Unknown

23. Critical Precrash Event

80

*This Vehicle Loss of Control Due To:*

- (01) Blow out or flat tire
- (02) Stalled engine
- (03) Disabling vehicle failure (e.g., wheel fell off) (specify): \_\_\_\_\_
- (04) Non-disabling vehicle problem (e.g., hood flew up) (specify): \_\_\_\_\_
- (05) Poor road conditions (puddle, pot hole, ice, etc.) (specify): \_\_\_\_\_
- (06) Traveling too fast for conditions
- (08) Other cause of control loss (specify): \_\_\_\_\_

(09) Unknown cause of control loss

*This Vehicle Traveling*

- (10) Over the lane line on left side of travel lane
- (11) Over the lane line on right side of travel lane
- (12) Off the edge of the road on the left side
- (13) Off the edge of the road on the right side
- (14) End departure
- (15) Turning left at intersection
- (16) Turning right at intersection
- (17) Crossing over (passing through) intersection
- (19) Unknown travel direction

*Other Motor Vehicle In Lane*

- (50) Stopped
- (51) Traveling in same direction with lower speed (i.e., lower steady speed or decelerating)
- (52) Traveling in same direction with higher speed
- (53) Traveling in opposite direction
- (54) In crossover
- (55) Backing
- (59) Unknown travel direction of other motor vehicle in lane

*Other Motor Vehicle Encroaching Into Lane*

- (60) From adjacent lane (same direction)—over left lane line
- (61) From adjacent lane (same direction)—over right lane line
- (62) From opposite direction—over left lane line
- (63) From opposite direction—over right lane line
- (64) From parking lane
- (65) From crossing street, turning into same direction
- (66) From crossing street, across path
- (67) From crossing street, turning into opposite direction
- (68) From crossing street, intended path not known
- (70) From driveway, turning into same direction
- (71) From driveway, across path
- (72) From driveway, turning into opposite direction
- (73) From driveway, intended path not known
- (74) From entrance to limited access highway
- (78) Encroachment by other vehicle—details unknown

*Pedestrian or Pedalcyclist, or Other Nonmotorist*

- (80) Pedestrian in roadway
- (81) Pedestrian approaching roadway
- (82) Pedestrian—unknown location

- (83) Pedalcyclist or other nonmotorist in roadway (specify): \_\_\_\_\_
- (84) Pedalcyclist or other nonmotorist approaching roadway (specify): \_\_\_\_\_
- (85) Pedalcyclist or other nonmotorist—unknown location (specify): \_\_\_\_\_

*Object or Animal*

- (87) Animal in roadway
- (88) Animal approaching roadway
- (89) Animal—unknown location
- (90) Object in roadway
- (91) Object approaching roadway
- (92) Object—unknown location
- (98) Other critical precrash event (specify): \_\_\_\_\_

(99) Unknown

24. Attempted Avoidance Maneuver

00  
01

- (00) No driver present
- (01) No avoidance actions
- (02) Braking (no lockup)
- (03) Braking (lockup)
- (04) Braking (lockup unknown)
- (05) Releasing brakes
- (06) Steering left
- (07) Steering right
- (08) Braking and steering left
- (09) Braking and steering right
- (10) Accelerating
- (11) Accelerating and steering left
- (12) Accelerating and steering right
- (98) Other action (specify): \_\_\_\_\_
- (99) Unknown

25. Precrash Stability After Avoidance Maneuver

10

- (0) No driver present
- (1) No avoidance maneuver
- (2) Tracking
- (3) Skidding longitudinally—rotation less than 30 degrees
- (4) Skidding laterally—clockwise rotation
- (5) Skidding laterally—counterclockwise rotation
- (8) Other vehicle loss-of-control (specify): \_\_\_\_\_

(9) Precrash stability unknown

26. Precrash Directional Consequences of Avoidance Maneuver (Corrective Action)

10

- (0) No driver present
- (1) No avoidance maneuver
- (2) Vehicle stayed in travel lane where avoidance maneuver was initiated
- (3) Vehicle stayed on roadway but left travel lane where avoidance maneuver was initiated
- (4) Vehicle stayed on roadway, not known if left travel lane where avoidance maneuver was initiated
- (5) Vehicle departed roadway
- (6) Avoidance maneuver initiated off roadway
- (9) Directional consequences unknown

## ENVIRONMENTAL DATA

27. Relation to Junction 2
- (0) Non-junction  
(1) Interchange area
- Non-Interchange*
- (2) Intersection  
(3) Intersection-related  
(4) Drive, alley access related  
(5) Other non-interchange (specify): \_\_\_\_\_
- (6) Unknown type of non-interchange  
(9) Unknown if interchange
28. Trafficway Flow 1
- (1) Not physically divided (two way traffic)  
(2) Divided trafficway - median strip without positive barrier  
(3) Divided trafficway - median strip with positive barrier  
(4) One way trafficway  
(9) Unknown
29. Number of Travel Lanes 4
- (1) One  
(2) Two  
(3) Three  
(4) Four  
(5) Five  
(6) Six  
(7) Seven or more  
(9) Unknown
30. Roadway Alignment 1
- (1) Straight  
(2) Curve right  
(3) Curve left  
(9) Unknown
31. Roadway Profile 1
- (1) Level  
(2) Uphill Grade (> 2%)  
(3) Downhill Grade (> 2%)  
(4) Hillcrest  
(5) Sag  
(9) Unknown
32. Roadway Surface Type 2
- (1) Concrete  
(2) Bituminous (asphalt)  
(3) Brick or Block  
(4) Slag, gravel or stone  
(5) Dirt  
(8) Other (specify): \_\_\_\_\_  
(9) Unknown
33. Roadway Surface Condition 2
- (1) Dry  
(2) Wet  
(3) Snow and slush  
(4) Ice  
(5) Sand, dirt or oil  
(8) Other (specify): \_\_\_\_\_  
(9) Unknown
34. Traffic Control Device 1
- (0) No traffic control(s)  
(1) Trafficway traffic control signal (not RR crossing)
- Regulatory or School Zone Sign (Not RR Crossing)*
- (2) Stop sign  
(3) Yield sign  
(4) School zone sign  
(5) Other sign (specify): \_\_\_\_\_
- (6) Unknown sign  
(7) Warning sign (not RR crossing)  
(8) Miscellaneous/other controls including RR controls (specify): \_\_\_\_\_  
(9) Unknown
35. Traffic Control Device Functioning 2
- (0) No traffic control  
(1) Not Functioning  
(2) Functioning  
(9) Unknown
36. Light Conditions 3
- (1) Daylight  
(2) Dark  
(3) Dark, but lighted  
(4) Dawn  
(5) Dusk  
(9) Unknown
37. Atmospheric Conditions 2
- (1) No adverse atmospheric related driving conditions  
(2) Rain  
(3) Sleet  
(4) Snow  
(5) Fog  
(6) Rain and fog  
(7) Sleet and fog  
(8) Other (e.g., smog, smoke, blowing sand or dust, etc.) (specify): \_\_\_\_\_  
(9) Unknown



PEDESTRIAN EXTERIOR VEHICLE FORM

NATIONAL ACCIDENT SAMPLING SYSTEM  
PEDESTRIAN CRASH DATA STUDY

1. Primary Sampling Unit Number	<u>40</u>	3. Vehicle Number	<u>0 1</u>
2. Case Number - Stratum	<u>6 13 P</u> <u>AZ</u>		

VEHICLE IDENTIFICATION

VIN JM LGC221X41 Model Year 87

Vehicle Make (specify): MAZDA Vehicle Model (specify): 626

PEDESTRIAN FRONT CONTACT WORK SHEET

PEV06 Hood Material	<u>STEEL</u>
PEV08 Hood Length	<u>713</u> cm
PEV09 Hood Width-Forward Opening	<u>134</u> cm
PEV10 Hood Width-Midway	<u>141</u> cm
PEV11 Hood Width-Rear Opening	<u>143</u> cm
PEV14 Front Bumper Cover Material	<u>PLASTIC</u>
PEV15 Front Bumper Reinforcement Material	<u>STEEL</u>

VERTICAL MEASUREMENTS

PEV16 Front Bumper-Bottom Height	<u>37</u> cm
PEV17 Front Bumper-Top Height	<u>50</u> cm
PEV18 Forward Hood Opening	<u>67</u> cm
PEV19 Front Bumper Lead	<u>12</u> cm

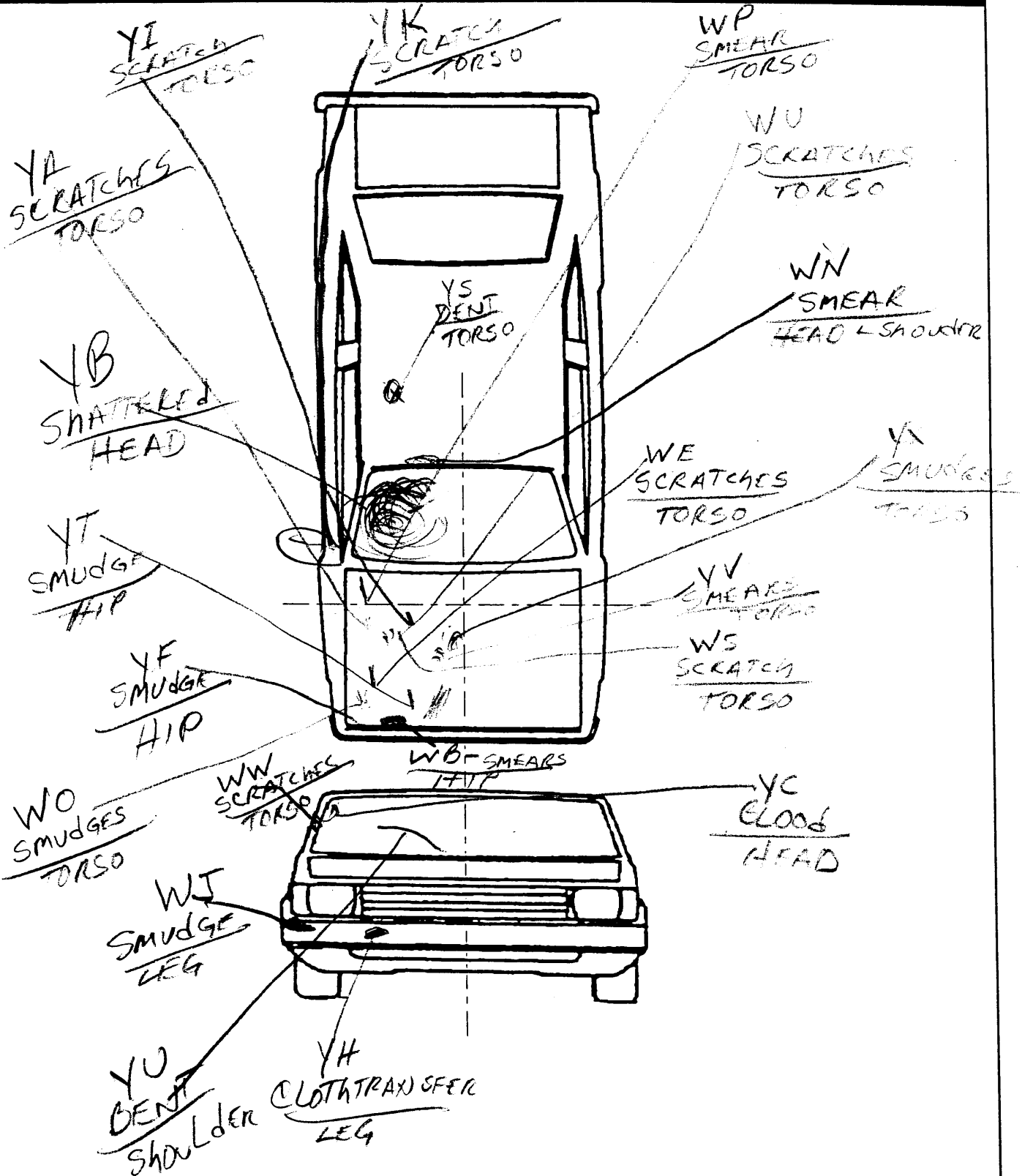
WRAP DISTANCES

PEV20 Ground to Forward Hood Opening	<u>70</u> cm
PEV21 Ground to Front/Top Transition Point	<u>75</u> cm
PEV22 Ground to Rear Hood Opening	<u>184</u> cm
PEV23 Ground to Base of Windshield	<u>197</u> cm
PEV24 Ground to Top of Windshield	<u>263</u> cm
PEV25 Ground to Head Contact	<u>237</u> cm

*Handwritten note:* 0.151

*Handwritten notes on right margin:*  
2.0i  
4Dr  
175 145

**VEHICLE DAMAGE SKETCH**



NOTES: Sketch all pedestrian contacts, include the size and depth in centimeters. Locate the pedestrian contacts from the intercept point of the centerline (lateral) and the front axes (longitudinal) in centimeters. Annotate observations which might be useful in reconstructing the accident (e.g., grass in tire bead, direction of striations, scuff on sidewalls, etc.).

Location of the origin (intercept point of the centerline and the front axes) from the ground: 151 cm

**PEDESTRIAN SIDE CONTACT WORK SHEET**

PEV06 Hood Material	_____	
PEV08 Hood Length	_____	cm
PEV09 Hood Width-Forward Opening	_____	cm
PEV10 Hood Width-Midway	_____	cm
PEV11 Hood Width-Rear Opening	_____	cm

**VERTICAL MEASUREMENTS**

PEV26 Ground Clearance	_____	cm
PEV27 Side Bumper-Bottom Height	_____	cm
PEV28 Side Bumper-Top Height	_____	cm
PEV29 Centerline of Wheel	_____	cm
PEV30 Top of Tire	_____	cm
PEV31 Top of Wheel Well Opening	_____	cm
PEV32 Bottom of A-Pillar at Windshield	_____	cm
PEV33 Top of A-Pillar at Windshield	_____	cm
PEV34 Top of Side View Mirror	_____	cm

**LATERAL MEASUREMENTS**

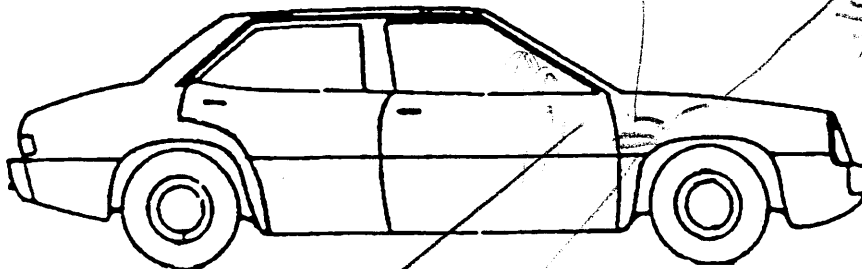
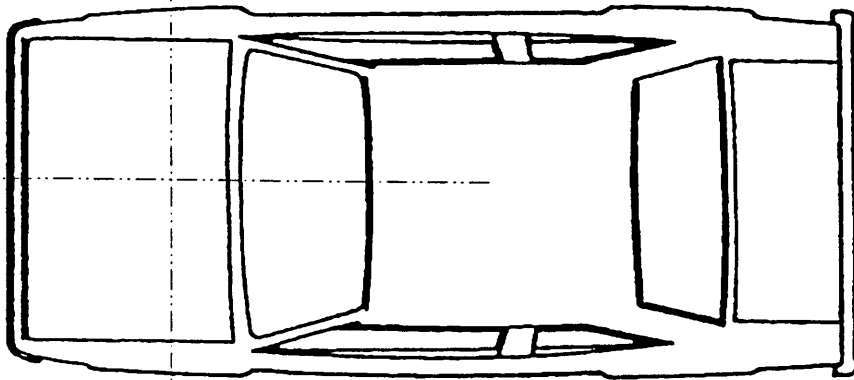
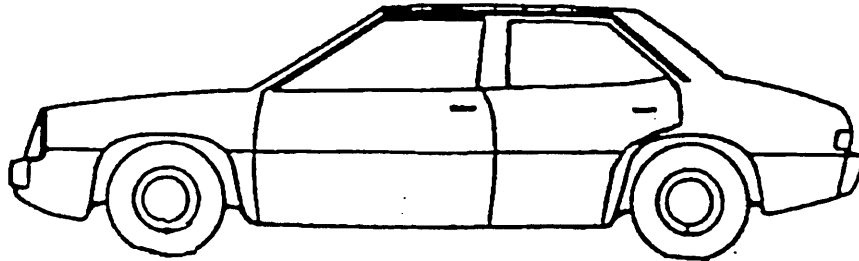
PEV35 C <sub>L</sub> to A-Pillar at Bottom of Windshield	_____	cm
PEV36 C <sub>L</sub> to A-Pillar at Top of Windshield	_____	cm
PEV37 C <sub>L</sub> to Maximum Side View Mirror Protrusion	_____	cm

**WRAP DISTANCES**

PEV38 Ground to Side/Top Transition	_____	cm
PEV39 Ground to Hood Edge	_____	cm
PEV40 Ground to Centerline of Hood (ORIGIN)	_____	cm
PEV41 Ground to Head Contact	_____	cm



**VEHICLE DAMAGE SKETCH**



WK  
SCRATCH  
TORCO

WV  
SCRATCH  
TORCO

WL  
BLOOD  
HEAD

WA  
SCRATCHES

NOTES: Sketch all pedestrian contacts, include the size and depth in centimeters. Locate the pedestrian contacts from the intercept point of the centerline (lateral) and the front axles (longitudinal) in centimeters. Annotate observations which might be useful in reconstructing the accident (e.g., grass in tire bead, direction of striations, scuff on sidewalls, etc.).

Location of the origin (intercept point of the centerline and the front axles) from the ground: \_\_\_\_\_ cm

# ORIGINAL SPECIFICATIONS

Wheelbase	—	<u>98.8</u>	inches	x 2.54	=	—	<u>251</u>	cm
Overall Length	—	<u>178.0</u>	inches	x 2.54	=	—	<u>452</u>	cm
Maximum Width	—	<u>66.5</u>	inches	x 2.54	=	—	<u>169</u>	cm
Curb Weight	<u>24.44.2</u>		pounds	x .4536	=	<u>1.111</u>		kg
Average Track	—	<u>56.2</u>	inches	x 2.54	=	—	<u>143</u>	cm
Front Overhang	—	<u>39.4</u>	inches	x 2.54	=	—	<u>100</u>	cm
Rear Overhang	—	<u>40.9</u>	inches	x 2.54	=	—	<u>104</u>	cm
Undeformed End Width	—	—	inches	x 2.54	=	—	—	cm
Engine Size: cyl./displ.	—	—	cc	x .001	=	—	<u>2.0</u>	L
	—	—	CID	x .0164	=	—	—	L

## INJURY SOURCE

### FRONT

- 700 Front bumper
- 701 Front lower valance/spoiler
- 702 Front grille
- 703 Hood edge and/or trim
- 704 Hood ornament (fixed)
- 705 Hood ornament (spring loaded)
- 706 Headlight
- 707 Retractable headlight door (Open/Closed)
- 708 Turn signal/parking lights
- 718 Other front or add on object  
(specify): \_\_\_\_\_
- 719 Unknown front object

### Left Side Components

- 720 Front fender side surface
- 721 Front antenna
- 722 A1 pillar
- 723 A2 pillar
- 724 B pillar
- 725 C pillar
- 726 D pillar
- 728 Other pillar  
(specify): \_\_\_\_\_
- 729 Left side roof rail
- 730 Left side door surface
- 731 Left side door handle
- 732 Left side mirror fixed housing
- 733 Left side folding mirror
- 734 Left side glazing forward of B pillar
- 735 Left side glazing rearward of B pillar
- 736 Left side back fender or quarter panel
- 737 Rear antenna
- 738 Other left side object  
(specify): \_\_\_\_\_
- 739 Unknown left side component

### Right Side Components

- 740 Front fender side surface
- 741 Front antenna
- 742 A1 pillar
- 743 A2 pillar

- 744 B pillar
- 745 C pillar
- 746 D pillar
- 748 Other pillar (specify): \_\_\_\_\_
- 749 Right side roof rail
- 750 Right side door surface
- 751 Right side door handle
- 752 Right side mirror fixed housing
- 753 Right side folding mirror
- 754 Right side glazing forward of B pillar
- 755 Right side glazing rearward of B pillar
- 756 Rear antenna
- 757 Rear fender or quarter panel
- 758 Other right side object  
(specify): \_\_\_\_\_
- 759 Unknown right side component

### Back Components

- 760 Rear (back) bumper
- 761 Tailgate
- 762 Hatchback, vertical surface
- 768 Other back component  
(specify): \_\_\_\_\_
- 769 Unknown back component

### Top Components

- 770 Hood surface
- 771 Hood surface reinforced by under hood component
- 772 Front fender top surface
- 773 Cowl area
- 774 Wiper blade & mountings
- 775 Windshield glazing
- 776 Front header
- 777 Roof surface
- 778 Backlight glazing
- 779 Rear header
- 780 Hatchback
- 781 Rear trunk lid
- 788 Other top component (specify): \_\_\_\_\_
- 789 Unknown top component

### Wheels / tires

- 790 Left front wheel / tire
- 791 Right front wheel / tire
- 792 Left rear wheel / tire
- 793 Right rear wheel / tire
- 798 Other wheel / tire (specify): \_\_\_\_\_
- 799 Unknown wheel / tire

### Undercarriage components

- 800 Front cross member
- 801 Steering assembly/Front suspension
- 802 Oil pan
- 803 Exhaust system pipe
- 804 Transmission
- 805 Drive shaft
- 806 Catalytic converter
- 807 Muffler
- 808 Floor pan
- 809 Fuel tank
- 810 Rear suspension
- 818 Other undercarriage component  
(specify): \_\_\_\_\_
- 819 Unknown undercarriage component

### Accessories

- 820 Air scoop, deflector
- 821 Cellular or CB radio antenna
- 822 Emergency lights or bar
- 823 Fog lights
- 824 Luggage, ski, or bike rack
- 825 Cargo (specify): \_\_\_\_\_
- 826 Spare tire
- 827 Spotlight
- 828 Other accessory (specify): \_\_\_\_\_

### Other Object or Vehicle in Environment

- 947 Ground
- 948 Other object (specify): \_\_\_\_\_
- 949 Unknown object in environment
- 959 Unknown object on contacting vehicle
- 997 Noncontact injury source
- 999 Unknown injury source

POINTS OF PEDESTRIAN CONTACT								
PEDESTRIAN CONTACT WORKSHEET								
CONTACT ID LABEL	COMPONENT CONTACTED	LONGITUDINAL LOCATION (X)	LATERAL LOCATION (Y)	CRUSH IN CENTIMETERS	SUSPECTED BODY REGION	SUPPORTING PHYSICAL EVIDENCE	CONFIDENCE LEVEL OF CONTACT POINT (Circle)	SEQUENCE #
WJ	BUMPER	74	50		LEG	SMUDGE	① 2 3 9	4
YH	"	55	50		LEG	SMUDGE	① 2 3 9	5
YF	HOOD	75	58		HIP	SMUDGE	① 2 3 9	6
YT	"	87	49		HIP	SMUDGE	① 2 3 9	7
WB	"	80	44		HIP	SMEAR	① 2 3 9	8
WD	"	99	65		TORSO	SMUDGES	1 2 ① 9	23
WE	"	99	56		TORSO	SCRATCHES	① 2 3 9	9
WS	"	93	36		TORSO	SCRATCH	1 2 3 ①	25
YV	"	96	32		TORSO	SMEAR	① 2 3 9	10
YX	"	108	9		TORSO	SMUDGES	① 2 3 9	11
WU	"	129	49		TORSO	SCRATCHES	① 2 3 9	12
YA	"	140	53		TORSO	SCRATCHES	① 2 3 9	13
YI	"	138	36		TORSO	SCRATCH	① 2 3 9	14
WP	"	176	65		TORSO	SMEAR	① 2 3 9	15
WA	SENDER	180	90		TORSO	SCRATCH	1 ③ 3 9	18
NK	"	179	93		TORSO	SCRATCH	1 ② 3 9	19
WV	"	171	77		TORSO	SCRATCH	1 ② 3 9	20
YK	SIDE MIRROR	226	82		TORSO	SCRATCH	1 ② 3 9	21
NW	A PILLAR	234	70		TORSO	SCRATCHES	① 2 3 9	16
YU	WIPER	220	46		HEAD	BENT	① 2 3 9	17
VB	WS	237	40		HEAD	SHATTERS	① 2 3 9	1
VC	WS	260	56		HEAD	BLOOD	① 2 3 9	2
WN	ROOF #	266	21		HEAD	SMEAR	① 2 3 9	3
WL	DOOR	237	102		HEAD	BLOOD	1 ② 3 9	22
YS	ROOF	346	47		TORSO	DENT	1 2 ③ 9	24

POINTS OF PEDESTRIAN CONTACT							
CHRONOLOGICAL ORDER OF CONTACTS							
CONTACT #	COMPONENT CONTACTED CODE	LONGITUDINAL LOCATION (X)	LATERAL LOCATION (Y)	CRUSH IN CENTIMETERS	SUSPECTED BODY REGION	SUPPORTING PHYSICAL EVIDENCE	CONFIDENCE LEVEL OF CONTACT POINT (Circle)
1	775	237	40		HEAD	SHATTERED	① 2 3 9
2	775	260	56		HEAD	BLOOD	① 2 3 9
3	777	266	21		HEAD	SMEAR	① 2 3 9
4	700	74	50		LEG	SMUDGE	① 2 3 9
5	700	55	50		LEG	SMUDGE	① 2 3 9
6	770	75	58		HIP	SMUDGE	① 2 3 9
7	770	87	49		HIP	SMUDGE	① 2 3 9
8	770	80	44		HIP	SMEARS	① 2 3 9
9	770	99	56		TORSO	SCRATCHES	① 2 3 9
10	770	96	32		TORSO	SMEARS	① 2 3 9
11	770	108	9		TORSO	SMUDGES	① 2 3 9
12	770	129	49		TORSO	SCRATCHES	① 2 3 9
13	770	140	53		TORSO	SCRATCHES	① 2 3 9
14	770	138	36		TORSO	SCRATCH	① 2 3 9
15	770	176	65		TORSO	SMEAR	① 2 3 9
16	742	234	70		TORSO	SCRATCH	① 2 3 9
17	774	220	46		HEAD	BENT	① 2 3 9
18	740	180	90		TORSO	SCRATCH	1 ② 3 9
19	740	179	83		TORSO	SCRATCH	1 ② 3 9
20	740	171	77		TORSO	SCRATCH	1 ② 3 9
21	752	226	82		TORSO	SCRATCH	1 ② 3 9
22	750	237	102		HEAD	BLOOD	1 ② 3 9
23	770	99	65		TORSO	SMUDGES	1 2 ③ 9
24	777	246	47		TORSO	DENT	1 2 ④ 9
25	770	93	36		TORSO	SCRATCH	1 2 3 ⑤

## VEHICLE DIMENSIONS

4. Original Wheelbase 251  
 \_\_\_\_\_ Code to the  
 nearest centimeter  
 (999) Unknown

98.8 inches X 2.54 = 251 centimeters

5. Original Average Track Width 143  
 \_\_\_\_\_ Code to the  
 nearest centimeter  
 (185) 185 centimeters or more  
 (999) Unknown

56.2 inches X 2.54 = 143 centimeters

6. Hood Material 3  
 (1) Plastic  
 (2) Fiberglass  
 (3) Steel  
 (4) Aluminum  
 (5) Stainless Steel  
 (8) Other (specify): \_\_\_\_\_  
 (9) Unknown

7. Hood Original 1  
 Equipment Manufacturer (OEM)  
 (1) OEM factory installed hood  
 (2) OEM replacement  
 (3) Non-OEM replacement  
 (9) Unknown

8. Hood Length 113  
 \_\_\_\_\_ Code to the  
 nearest centimeter  
 (180) 180 centimeters or more  
 (999) Unknown

44.5 inches X 2.54 = 113 centimeter

9. Hood Width Forward Opening 134  
 \_\_\_\_\_ Code to the  
 nearest centimeter  
 (210) 210 centimeters or more  
 (999) Unknown

52.8 inches X 2.54 = 134 centimeters

10. Hood Width Midway 141  
 \_\_\_\_\_ Code to the  
 nearest centimeter  
 (210) 210 centimeters or more  
 (999) Unknown

55.5 inches X 2.54 = 141 centimeters

11. Hood Width Rear Opening 143  
 \_\_\_\_\_ Code to the  
 nearest centimeter  
 (210) 210 centimeters or more  
 (999) Unknown

56.3 inches X 2.54 = 143 centimeters

12. Hood/Fender Vertical/Lateral Crush From Pedestrian 1  
 (0) Not damaged  
 (1) Surface scratching only, no residual crush  
 (2) Minor crush (1-3 centimeters)  
 (3) Moderate crush (4-7 centimeters)  
 (4) Severe crush (>7 centimeters)  
 (8) Damage present, unknown if damage is from pedestrian impact  
 (9) Unknown

13. Windshield Contact Damage 2  
 From Pedestrian Contact  
 (0) Not contacted by pedestrian  
 (1) Contacted by pedestrian - not damaged  
 (2) Contacted by pedestrian - damaged  
 (3) Unknown if contacted by pedestrian - not damaged  
 (4) Unknown if contacted by pedestrian - damaged  
 (9) Unknown if contacted by pedestrian - unknown if damaged

## FRONT CONTACT DAMAGE

## Front Vertical Measurements

14. Front Bumper Cover Material 1  
 (0) No front contact  
 (1) Plastic  
 (2) Fiberglass  
 (3) Rubber  
 (4) Other (specify): \_\_\_\_\_  
 (9) Unknown

15. Front Bumper Reinforcement Material 1  
 (0) No front contact  
 (1) Steel  
 (2) Aluminum  
 (3) Stainless Steel  
 (4) Other (specify): \_\_\_\_\_  
 (9) Unknown

16. Front Bumper-Bottom Height 037  
 \_\_\_\_\_ Code to the  
 nearest centimeter  
 (000) No front contact  
 (150) 150 centimeters or more  
 (999) Unknown

14.6 inches X 2.54 = 37 centimeters

17. Front Bumper-Top Height 050  
 \_\_\_\_\_ Code to the  
 nearest centimeter  
 (000) No front contact  
 (150) 150 centimeters or more  
 (999) Unknown

19.7 inches X 2.54 = 50 centimeters

18. Forward Hood Opening 067  
 \_\_\_\_\_ Code to the  
 nearest centimeter  
 (000) No front contact  
 (200) 200 centimeters or more  
 (999) Unknown

26.4 inches X 2.54 = 67 centimeters

19. Front Bumper Lead 12  
 (00) No front contact  
 \_\_\_\_\_ Code to the  
 nearest centimeter  
 (30) 30 centimeters or more  
 (99) Unknown

4.7 inches X 2.54 = 12 centimeters

23. Ground to Base of Windshield 197  
 \_\_\_\_\_ Code to the  
 nearest centimeter  
 (000) No front contact  
 (400) 400 centimeters or more  
 (999) Unknown

77.6 inches X 2.54 = 197 centimeters

24. Ground to Top of Windshield 263  
 \_\_\_\_\_ Code to the  
 nearest centimeter  
 (000) No front contact  
 (500) 500 centimeters or more  
 (999) Unknown

103.5 inches X 2.54 = \_\_\_\_\_ centimeters

25. Ground To Head Contact 237  
 \_\_\_\_\_ Code to the  
 nearest centimeter  
 (000) No front contact  
 (400) 400 centimeters or more  
 (998) No head contact  
 (999) Unknown

93.3 inches X 2.54 = 237 centimeters

#### Front Wrap Distance Measurements

20. Ground to Forward Hood Opening 070  
 \_\_\_\_\_ Code to the  
 nearest centimeter  
 (000) No front contact  
 (200) 200 centimeters or more  
 (999) Unknown

27.6 inches X 2.54 = 70 centimeters

21. Ground to Front/Top Transition Point 075  
 \_\_\_\_\_ Code to the  
 nearest centimeter  
 (000) No front contact  
 (180) 180 centimeters or more  
 (999) Unknown

29.5 inches X 2.54 = 75 centimeters

22. Ground to Rear Hood Opening 184  
 \_\_\_\_\_ Code to the  
 nearest centimeter  
 (000) No front contact  
 (400) 400 centimeters or more  
 (999) Unknown

72.4 inches X 2.54 = 184 centimeters

#### SIDE CONTACT DAMAGE

##### Side Vertical Measurements

26. Ground Clearance 000  
 \_\_\_\_\_ Code to the  
 nearest centimeter  
 (000) No side contact  
 (150) 150 centimeters or more  
 (999) Unknown

\_\_\_\_\_ inches X 2.54 = \_\_\_\_\_ centimeters

27. Side Bumper-Bottom Height 000  
 \_\_\_\_\_ Code to the  
 nearest centimeter  
 (000) No side contact  
 (150) 150 centimeters or more  
 (999) Unknown

\_\_\_\_\_ inches X 2.54 = \_\_\_\_\_ centimeters

28. Side Bumper-Top Height 000  
 \_\_\_\_\_ Code to the  
 nearest centimeter  
 (000) No side contact  
 (150) 150 centimeters or more  
 (999) Unknown

\_\_\_\_\_ inches X 2.54 = \_\_\_\_\_ centimeters

29. Centerline of Wheel 000  
 \_\_\_\_\_ Code to the  
 nearest centimeter  
 (000) No side contact  
 (150) 150 centimeters or more  
 (999) Unknown  
 \_\_\_\_\_ inches X 2.54 = \_\_\_\_\_ centimeters

30. Top of Tire 000  
 \_\_\_\_\_ Code to the  
 nearest centimeter  
 (000) No side contact  
 (200) 200 centimeters or more  
 (999) Unknown  
 \_\_\_\_\_ inches X 2.54 = \_\_\_\_\_ centimeters

31. Top of Wheel Well Opening 000  
 \_\_\_\_\_ Code to the  
 nearest centimeter  
 (000) No side contact  
 (250) 250 centimeters or more  
 (999) Unknown  
 \_\_\_\_\_ inches X 2.54 = \_\_\_\_\_ centimeters

32. Bottom of A-Pillar at Windshield 000  
 \_\_\_\_\_ Code to the  
 nearest centimeter  
 (000) No side contact  
 (250) 250 centimeters or more  
 (999) Unknown  
 \_\_\_\_\_ inches X 2.54 = \_\_\_\_\_ centimeters

33. Top of A-Pillar at Windshield 000  
 \_\_\_\_\_ Code to the  
 nearest centimeter  
 (000) No side contact  
 (300) 300 centimeters or more  
 (999) Unknown  
 \_\_\_\_\_ inches X 2.54 = \_\_\_\_\_ centimeters

34. Top of Side View Mirror 000  
 \_\_\_\_\_ Code to the  
 nearest centimeter  
 (000) No side contact  
 (300) 300 centimeters or more  
 (999) Unknown  
 \_\_\_\_\_ inches X 2.54 = \_\_\_\_\_ centimeters

**Side Lateral Measurements**

35. Centerline to A-Pillar at Bottom of Windshield 000  
 (000) No side contact  
 \_\_\_\_\_ Code to the  
 nearest centimeter  
 (250) 250 centimeters or more  
 (999) Unknown  
 \_\_\_\_\_ inches X 2.54 = \_\_\_\_\_ centimeters

36. Centerline to A-Pillar at Top of Windshield 000  
 \_\_\_\_\_ Code to the  
 nearest centimeter  
 (000) No side contact  
 (250) 250 centimeters or more  
 (999) Unknown  
 \_\_\_\_\_ inches X 2.54 = \_\_\_\_\_ centimeter

37. Centerline to Maximum Side View Mirror Protrusion 000  
 \_\_\_\_\_ Code to the  
 nearest centimeter  
 (000) No side contact  
 (300) 300 centimeters or more  
 (999) Unknown  
 \_\_\_\_\_ inches X 2.54 = \_\_\_\_\_ centimeter

**Side Wrap Distance Measurements**

38. Ground to Side/Top Transition 000  
 \_\_\_\_\_ Code to the  
 nearest centimeter  
 (000) No side contact  
 (400) 400 centimeters or more  
 (999) Unknown  
 \_\_\_\_\_ inches X 2.54 = \_\_\_\_\_ centimeters

39. Ground to Hood Edge 000  
 \_\_\_\_\_ Code to the  
 nearest centimeter  
 (000) No side contact  
 (500) 500 centimeters or more  
 (999) Unknown  
 \_\_\_\_\_ inches X 2.54 = \_\_\_\_\_ centimeters

40. Ground to Centerline of Hood

000

Code to the nearest centimeter

- (000) No side contact
- (700) 700 centimeters or more
- (999) Unknown

\_\_\_\_\_ inches X 2.54 = \_\_\_\_\_ centimeters

41. Ground to Head Contact

000

Code to the nearest centimeter

- (000) No side contact
- (800) 800 centimeters or more
- (998) No head contact
- (999) Unknown

\_\_\_\_\_ inches X 2.54 = \_\_\_\_\_ centimeters



# PEDESTRIAN ASSESSMENT FORM

NATIONAL ACCIDENT SAMPLING SYSTEM  
PEDESTRIAN CRASH DATA STUDY

1. Primary Sampling Unit Number 40  
2. Case Number - Stratum 6 13 P  
A 2  
3. Pedestrian Number 0 1

10. Pedestrian's Weight 999  
Code actual weight to the nearest  
kilogram.  
(999) Unknown  
\_\_\_\_\_ pounds X .4536 = \_\_\_\_\_ kilograms

## PEDESTRIAN'S CHARACTERISTICS

## PEDESTRIAN'S PRE-AVOIDANCE ACTIONS

4. Pedestrian's Age 64  
Code actual age at time of accident.  
(00) Less than one year old (specify by month): \_\_\_\_\_  
(97) 97 years and older \_\_\_\_\_  
(99) Unknown \_\_\_\_\_  
5. Pedestrian's Sex 1  
(1) Male \_\_\_\_\_  
(2) Female - not reported pregnant \_\_\_\_\_  
(3) Female - pregnant-1st trimester (1st-3rd month) \_\_\_\_\_  
(4) Female - pregnant-2nd trimester (4th-6th month) \_\_\_\_\_  
(5) Female - pregnant-3rd trimester (7th-9th month) \_\_\_\_\_  
(6) Female - pregnant-term unknown \_\_\_\_\_  
(9) Unknown \_\_\_\_\_  
6. Pedestrian's Overall Height 999  
Code actual height to the nearest  
centimeter.  
(999) Unknown \_\_\_\_\_  
\_\_\_\_\_ inches X 2.54 = \_\_\_\_\_ centimeters  
7. Pedestrian's Height - Ground to Knee 99  
Code to the nearest  
centimeter.  
(999) Unknown \_\_\_\_\_  
\_\_\_\_\_ inches X 2.54 = \_\_\_\_\_ centimeters  
8. Pedestrian's Height - Ground to Hip 999  
Code to the nearest  
centimeter.  
(999) Unknown \_\_\_\_\_  
\_\_\_\_\_ inches X 2.54 = \_\_\_\_\_ centimeters  
9. Pedestrian's Height - Ground to Shoulder 999  
Code to the nearest  
centimeter.  
(999) Unknown \_\_\_\_\_  
\_\_\_\_\_ inches X 2.54 = \_\_\_\_\_ centimeters

11. Pedestrian Attitude 1  
(1) Standing \_\_\_\_\_  
(2) Crouching \_\_\_\_\_  
(3) Kneeling \_\_\_\_\_  
(4) Bending at waist \_\_\_\_\_  
(8) Other (specify): \_\_\_\_\_  
(9) Unknown \_\_\_\_\_  
12. Pedestrian Motion 1  
(0) Not moving \_\_\_\_\_  
(1) Walking slowly \_\_\_\_\_  
(2) Walking rapidly \_\_\_\_\_  
(3) Running or jogging \_\_\_\_\_  
(4) Hopping \_\_\_\_\_  
(5) Skipping \_\_\_\_\_  
(6) Jumping \_\_\_\_\_  
(7) Falling/stumbling or rising \_\_\_\_\_  
(8) Other (specify): \_\_\_\_\_  
(9) Unknown \_\_\_\_\_  
13. Pedestrian's Action Relative to Vehicle 0 1  
(00) Stopped \_\_\_\_\_  
(01) Crossing road, straight \_\_\_\_\_  
(02) Crossing road, diagonally \_\_\_\_\_  
(03) Moving in road, with traffic \_\_\_\_\_  
(04) Moving in road, against traffic \_\_\_\_\_  
(05) Off road, approaching road \_\_\_\_\_  
(06) Off road, going away from road \_\_\_\_\_  
(07) Off road, moving parallel \_\_\_\_\_  
(08) Off road, crossing driveway \_\_\_\_\_  
(09) Off road, moving along driveway \_\_\_\_\_  
(98) Other (specify): \_\_\_\_\_  
(99) Unknown \_\_\_\_\_  
14. Pedestrian's Body (Chest) Orientation 9  
Relative to Striking Vehicle Prior to  
Avoidance Actions  
(1) Facing vehicle \_\_\_\_\_  
(2) Facing away \_\_\_\_\_  
(3) Left side to vehicle \_\_\_\_\_  
(4) Right side to vehicle \_\_\_\_\_  
(8) Other (specify): \_\_\_\_\_  
(9) Unknown \_\_\_\_\_

**PEDESTRIAN'S AVOIDANCE ACTIONS**15. Pedestrian's First Avoidance Actions 19

- (00) No avoidance actions
- (01) Stopped
- (02) Accelerated pace
- (03) Ran away (along vehicle path)
- (04) Jumped
- (05) Turned toward vehicle
- (06) Turned away from vehicle
- (07) Dove or fell away

## Used hand(s) to :

- (11) Vault corner of vehicle
- (12) Vault onto vehicle
- (13) Brace against vehicle
- (14) Crouched and braced hands against vehicle
- (98) Other (specify): \_\_\_\_\_
- (99) Unknown

**PEDESTRIAN'S ORIENTATION AT IMPACT**16. Pedestrian's Head Orientation at Initial Impact 9

- (1) To front
- (2) To left
- (3) To right
- (4) Up
- (5) Down
- (8) Other (specify): \_\_\_\_\_
- (9) Unknown

17. Pedestrian's Body (Chest) Orientation at Initial Impact 4

- (1) Facing vehicle
- (2) Facing away
- (3) Left side to vehicle
- (4) Right side to vehicle
- (8) Other (specify): \_\_\_\_\_
- (9) Unknown

18. Pedestrian's Arm Orientation at Initial Impact 99

- (01) At sides
- (02) Folded across chest
- (03) Hands clasped behind back
- (04) Hands on hips
- (05) Hands in pockets

## One or both arms:

- (06) Extended upward
- (07) Extended to side
- (08) Extended forward bracing
- (09) Extended, holding object (briefcase, suitcase, etc.)
- (10) Holding object (young child, grocery bag, etc.) in arm(s)
- (11) Holding object (young child, grocery bag, etc.) on shoulder(s) or head
- (98) Other (specify): \_\_\_\_\_
- (99) Unknown

19. Pedestrian's Leg Orientation at Initial Impact 29

- (01) Together
- (02) Apart-laterally
- (03) Apart-right leg forward
- (04) Apart-left leg forward
- (05) Apart- forward leg unknown
- (06) Left foot off the ground
- (07) Right foot off the ground
- (08) Both feet off the ground
- (98) Other (specify): \_\_\_\_\_
- (99) Unknown

20. Vehicle/Pedestrian's Interaction 04

- (01) Carried by vehicle, wrapped position
- (02) Carried by vehicle, slid to windshield
- (03) Carried by vehicle, position unknown
- (04) Passed over vehicle top
- (05) Thrown straight forward
- (06) Thrown forward and left of vehicle
- (07) Thrown forward and right of vehicle
- (08) Knocked to pavement, forward
- (09) Knocked to pavement, left of vehicle
- (10) Knocked to pavement, right of vehicle
- (11) Knocked to pavement, run over or dragged by vehicle
- (12) Shunted to left (corner impacts only)
- (13) Shunted to right (corner impacts only)
- (14) Bumped or pushed aside
- (15) Snagged, rotated
- (16) Snagged, dragged by vehicle
- (17) Foot or legs run over
- (98) Other (specify): \_\_\_\_\_
- (99) Unknown

## OFFICIAL RECORDS

## INJURY CONSEQUENCES

21. Police Reported Alcohol Presence For Pedestrian 7
- (0) No alcohol present
  - (1) Yes alcohol present
  - (7) Not reported
  - (9) Unknown

22. Alcohol Test Result For Pedestrian 96  
Code actual value (decimal implied before first digit—0.xx)
- (95) Test refused
  - (96) None given
  - (97) AC (Alcohol Content) test performed, results unknown
  - (99) Unknown if test given

Source: \_\_\_\_\_

23. Police Reported Other Drug Presence For Pedestrian 0
- (0) No other drug(s) present
  - (1) Yes other drug(s) present
  - (7) Not reported
  - (9) Unknown

24. Other Drug Specimen Test Result For Pedestrian 0
- (0) No specimen test given
  - (1) Drug not found in specimen
  - (2) Drug found in specimen, (specify): \_\_\_\_\_
  - (3) Specimen test given, results unknown or not obtained
  - (9) Unknown

25. Injury Severity (Police Rating) 3
- (0) O - No injury
  - (1) C - Possible injury
  - (2) B - Nonincapacitating injury
  - (3) A - Incapacitating injury
  - (4) K - Killed
  - (5) U - Injury, severity unknown
  - (6) Died prior to accident
  - (9) Unknown

26. Treatment - Mortality 3
- (0) No treatment
  - (1) Fatal
  - (2) Fatal - ruled disease (specify): \_\_\_\_\_

*Nonfatal*

- (3) Hospitalization
- (4) Transported and released
- (5) Treatment at scene - non-transported
- (6) Treatment later
- (8) Treatment - other (specify): \_\_\_\_\_
- (9) Unknown

27. Type Of Medical Facility (for Initial Treatment) 1
- (0) Not treated at a medical facility
  - (1) Trauma center
  - (2) Hospital
  - (3) Medical clinic
  - (4) Physician's office
  - (5) Treatment later at medical facility
  - (8) Other (specify): \_\_\_\_\_
  - (9) Unknown

28. Hospital Stay 17
- (00) Not Hospitalized
  - \_\_\_\_\_ Code the number of days (up through 60) that the pedestrian stayed in a hospital.
  - (61) 61 days or more
  - (99) Unknown

29. Working Days Lost 97
- \_\_\_\_\_ Code the number of days (up through 60) that the pedestrian lost from work due to the accident
  - (00) No working days lost
  - (61) 61 days or more
  - (62) Fatally injured
  - (97) Not working prior to accident
  - (99) Unknown

STOP - VARIABLES 30 THROUGH 37 ARE COMPLETED BY THE ZONE CENTER

30. Glasgow Coma Scale (GCS) Score 14  
 (at Medical Facility)  
 (00) Not injured  
 (01) Injured - not treated at medical facility  
 (02) No GCS Score at medical facility  
 (03-15) Code the actual value of the initial GCS Score recorded at medical facility.  
 (97) Injured, details unknown  
 (99) Unknown if injured

31. Was the Pedestrian Given Blood? 9  
 (1) No - blood not given  
 (2) Yes - blood given  
 (specify units): \_\_\_\_\_  
 (9) Unknown if blood given

32. Arterial Blood Gases (ABG) - HCO<sub>3</sub> 20  
 (00) Not injured  
 (01) Injured, ABGs not measured or reported  
 (02-50) Code the actual value of the HCO<sub>3</sub>  
 (96) ABGs reported, HCO<sub>3</sub> unknown  
 (97) Injured, details unknown  
 (99) Unknown if injured

33. Time to Death 00  
 \_\_\_\_\_ Code number of hours from time of accident to time of death up through 24 hours. If time of death is greater than 24 hours, code number of days. (Note: 1 day = 31, 2 days = 32, ... n days = 30 + n up through 30 days = 60)  
 (00) Not fatal  
 (96) Fatal - ruled disease  
 (99) Unknown

34. 1st Medically Reported Cause of Death 00

35. 2nd Medically Reported Cause of Death 00

36. 3rd Medically Reported Cause of Death 00  
 \_\_\_\_\_ Code the Pedestrian Injury from line number(s) for the medically reported injury(s) which reportedly contributed to this pedestrian's death  
 (00) Not fatal or no additional causes  
 (96) Mode of death given but specific injuries are not linked to cause of death. (specify): \_\_\_\_\_

(97) Other result (includes fatal ruled disease) (specify): \_\_\_\_\_  
 (99) Unknown

37. Number of Recorded Injuries for This Pedestrian 07

\_\_\_\_\_ Code the actual number of injuries recorded for this pedestrian.  
 (00) No recorded injuries  
 (97) Injured, details unknown  
 (99) Unknown if injured

ARE ALL APPLICABLE MEDICAL RECORDS INCLUDED WITH INITIAL SUBMISSION?

NO [ ] YES [X]

UPDATE CANDIDATE? NO [X] YES [ ]

# PEDESTRIAN INJURY FORM

1. Primary Sampling Unit Number 40

3. Pedestrian Number 0 1

2. Case Number - Stratum 6 1 3 P  
4 2

4. Blank X X

## INJURY DATA

Record below the actual injuries sustained by this pedestrian in CHRONOLOGICAL order that were identified from the official and unofficial data sources. Remember not to double count an injury just because it was identified from two different sources. If greater than twenty-five injuries have been documented, encode the balance on the Pedestrian Injury Supplement.

*scap abrasion*  
*scap lacer*  
*2cm forehead lacer*  
*lip lacer*  
*patellar lacer*  
*6th rib ribfr*  
*cheek abras*

*CHRONOLOGICAL*

Source of Injury Data	Body Region	AIS-90		Level of Injury	A.I.S. Severity	Aspect	Injury Source	Injury Source Confidence Level	Direct/Indirect Injury	Striking Profile	Type Of Damage	Damage Depth	
		Type of Anatomic Structure	Specific Anatomic Structure										
1st	5. <u>2</u>	6. <u>1</u>	7. <u>9</u>	8. <u>02</u>	9. <u>02</u>	10. <u>1</u>	11. <u>0</u>	12. <u>775</u>	13. <u>1</u>	14. <u>1</u>	15. <u>2</u>	16. <u>5</u>	17. <u>8</u>
2nd	18. <u>2</u>	19. <u>1</u>	20. <u>9</u>	21. <u>06</u>	22. <u>00</u>	23. <u>1</u>	24. <u>0</u>	25. <u>775</u>	26. <u>1</u>	27. <u>1</u>	28. <u>2</u>	29. <u>5</u>	30. <u>8</u>
3rd	31. <u>2</u>	32. <u>2</u>	33. <u>9</u>	34. <u>06</u>	35. <u>02</u>	36. <u>1</u>	37. <u>7</u>	38. <u>775</u>	39. <u>1</u>	40. <u>1</u>	41. <u>2</u>	42. <u>5</u>	43. <u>8</u>
4th	44. <u>2</u>	45. <u>2</u>	46. <u>9</u>	47. <u>06</u>	48. <u>00</u>	49. <u>1</u>	50. <u>8</u>	51. <u>775</u>	52. <u>1</u>	53. <u>1</u>	54. <u>2</u>	55. <u>5</u>	56. <u>8</u>
5th	57. <u>2</u>	58. <u>7</u>	59. <u>5</u>	60. <u>22</u>	61. <u>00</u>	62. <u>2</u>	63. <u>1</u>	64. <u>742</u>	65. <u>1</u>	66. <u>1</u>	67. <u>1</u>	68. <u>2</u>	69. <u>2</u>
6th	70. <u>2</u>	71. <u>4</u>	72. <u>5</u>	73. <u>02</u>	74. <u>12</u>	75. <u>1</u>	76. <u>1</u>	77. <u>770</u>	78. <u>1</u>	79. <u>1</u>	80. <u>2</u>	81. <u>2</u>	82. <u>2</u>
7th	83. <u>2</u>	84. <u>1</u>	85. <u>6</u>	86. <u>06</u>	87. <u>06</u>	88. <u>2</u>	89. <u>0</u>	90. <u>775</u>	91. <u>1</u>	92. <u>1</u>	93. <u>2</u>	94. <u>5</u>	95. <u>8</u>
8th	96. ___	97. ___	98. ___	99. ___	100. ___	101. ___	102. ___	103. ___	104. ___	105. ___	106. ___	107. ___	108. ___
9th	109. ___	110. ___	111. ___	112. ___	113. ___	114. ___	115. ___	116. ___	117. ___	118. ___	119. ___	120. ___	121. ___
10th	122. ___	123. ___	124. ___	125. ___	126. ___	127. ___	128. ___	129. ___	130. ___	131. ___	132. ___	133. ___	134. ___



# PEDESTRIAN INJURY DATA

Source of Injury Data	AIS-90						Injury Source	Injury Source Confidence Level	Direct/Indirect Injury	Striking Profile	Type Of Damage	Damage Depth
	Body Region	Type of Anatomic Structure	Specific Anatomic Structure	Level of Injury	A.I.S. Severity	Aspect						
11th												
12th												
13th												
14th												
15th												
16th												
17th												
18th												
19th												
20th												
21st												
22nd												
23rd												
24th												
25th												

OFFICIAL INJURY DATA — SOFT TISSUE INJURIES

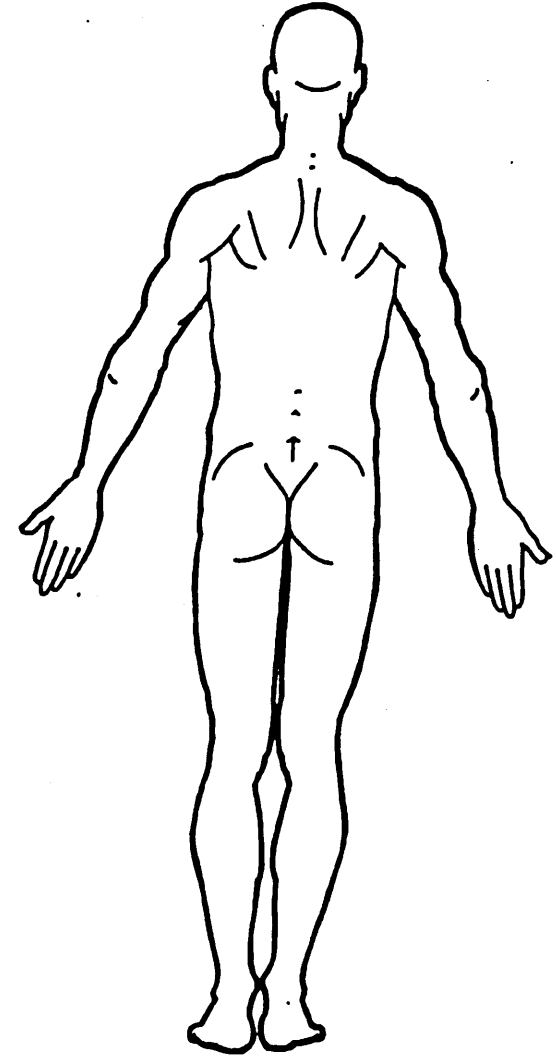
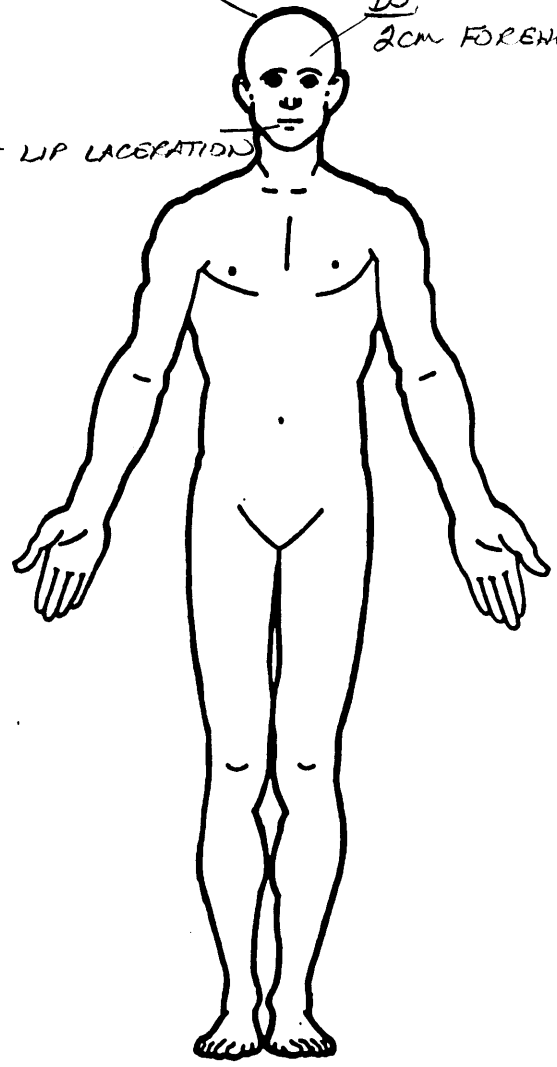
Indicate the Location, Specific Anatomic Structure, Detail (size, depth, fracture type, head injury clinical signs and neurological deficits), and Source of all injuries indicated by official sources (or from PAR or other unofficial sources if medical records and interviewee data are unavailable.)

ER/DS

MULTIPLE SCALP ABRASIONS  
& LACERATIONS DFS

DS:  
2CM FOREHEAD LACERATION

DS:  
RIGHT LIP LACERATION



**SOURCE OF INJURY DATA**

**OFFICIAL**

- (1) Autopsy records with or without hospital/medical records
- (2) Hospital/medical records other than emergency room (e.g., discharge summary)
- (3) Emergency room records only (including associated X-rays or other lab reports)
- (4) Private physician, walk-in or emergency clinic

**UNOFFICIAL**

- (5) Lay coroner report
- (6) E.M.S. personnel
- (7) Interviewee
- (8) Other source (specify): \_\_\_\_\_
- (9) Police

**INJURY SOURCE CONFIDENCE LEVEL**

- (1) Certain
- (2) Probable
- (3) Possible
- (9) Unknown

**DIRECT/INDIRECT INJURY**

- (1) Direct contact injury
- (2) Indirect contact injury
- (3) Noncontact injury
- (7) Injured, unknown source

**STRIKING PROFILE**

- (0) Injury not from vehicle contact
- (1) Flat-Narrow (< 15 centimeters)
- (2) Flat-Wide (≥ 15 centimeters)
- (3) Rounded (contoured)
- (4) Rounded edge
- (5) Sharp edge
- (8) Other (specify): \_\_\_\_\_
- (9) Unknown

**TYPE OF DAMAGE**

- (0) Injury not from vehicle contact
- (1) No damage/contact
- (2) Scratch (Scuff, Cloth Transfer, Smear)
- (3) Dent
- (4) Large deformation
- (5) Cracked, fractured, shattered
- (6) Separated from vehicle
- (7) Noncontact injury
- (8) Other specify: Holed windshield
- (9) Unknown

**DAMAGE DEPTH**

- (0) Injury not from vehicle contact
- (1) No residual damage
- (2) Surface only damage
- (3) Crush depth > 0 to 2 centimeters
- (4) Crush depth > 2 to 5 centimeters
- (5) Crush depth > 5 to 10 centimeters
- (8) Other specify: \_\_\_\_\_
- (9) Unknown

**PEDESTRIAN INJURY CLASSIFICATION**

**Body Region**

- (1) Head
- (2) Face
- (3) Neck
- (4) Thorax
- (5) Abdomen
- (6) Spine
- (7) Upper Extremity
- (8) Lower Extremity
- (9) Unspecified

**Specific Anatomic Structure**

- Whole Area
- (02) Skin - Abrasion
  - (04) Skin - Contusion
  - (06) Skin - Laceration
  - (08) Skin - Avulsion
  - (10) Amputation
  - (20) Burn
  - (30) Crush
  - (40) Degloving
  - (50) Injury - NFS
  - (90) Trauma, other than mechanical

Spine

- (02) Cervical
- (04) Thoracic
- (06) Lumbar

**Abbreviated Injury Scale**

- (1) Minor injury
- (2) Moderate injury
- (3) Serious injury
- (4) Severe injury
- (5) Critical injury
- (6) Maximum (untreatable)
- (7) Injured, unknown severity

**Type of Anatomic Structure**

- (1) Whole Area
- (2) Vessels
- (3) Nerves
- (4) Organs (includes muscles/ligaments)
- (5) Skeletal (includes joints)
- (6) Head - LOC
- (9) Skin

- Head - LOC
- (02) Length of LOC
  - (04, 06, 08) Level of Consciousness
  - (10) Concussion

Vessels, Nerves, Organs, Bones, Joints are assigned consecutive two digit numbers beginning with 02

**Level of Injury**

Specific injuries are assigned consecutive two-digit numbers beginning with 02.

To the extent possible, within the organizational framework of the AIS, 00 is assigned to an injury NFS as to severity or where only one injury is given in the dictionary for that anatomic structure. 99 is assigned to any injury NFS as to lesion or severity.

**Aspect**

- (1) Right
- (2) Left
- (3) Bilateral
- (4) Central
- (5) Anterior
- (6) Posterior
- (7) Superior
- (8) Inferior
- (9) Unknown
- (0) Whole region

**FRONT**

- 700 Front bumper
- 701 Front lower valance/spoiler
- 702 Front grille
- 703 Hood edge and/or trim
- 704 Hood ornament (fixed)
- 705 Hood ornament (spring loaded)
- 706 Headlight
- 707 Retractable headlight door (Open/Closed)
- 708 Turn signal/parking lights
- 718 Other front or add on object (specify): \_\_\_\_\_
- 719 Unknown front object

Left Side Components

- 720 Front fender side surface
- 721 Front antenna
- 722 A1 pillar
- 723 A2 pillar
- 724 B pillar
- 725 C pillar
- 726 D pillar
- 728 Other pillar (specify): \_\_\_\_\_
- 729 Left side roof rail
- 730 Left side door surface
- 731 Left side door handle
- 732 Left side mirror fixed housing
- 733 Left side folding mirror
- 734 Left side glazing forward of B pillar
- 735 Left side glazing rearward of B pillar
- 736 Left side back fender or quarter panel
- 737 Rear antenna
- 738 Other left side object (specify): \_\_\_\_\_
- 739 Unknown left side component

Right Side Components

- 740 Front fender side surface
- 741 Front antenna
- 742 A1 pillar
- 743 A2 pillar

- 744 B pillar
- 745 C pillar
- 746 D pillar
- 748 Other pillar (specify): \_\_\_\_\_
- 749 Right side roof rail
- 750 Right side door surface
- 751 Right side door handle
- 752 Right side mirror fixed housing
- 753 Right side folding mirror
- 754 Right side glazing forward of B pillar
- 755 Right side glazing rearward of B pillar
- 756 Rear antenna
- 757 Rear fender or quarter panel
- 758 Other right side object (specify): \_\_\_\_\_
- 759 Unknown right side component

Back Components

- 760 Rear (back) bumper
- 761 Tailgate
- 762 Hatchback, vertical surface
- 768 Other back component (specify): \_\_\_\_\_
- 769 Unknown back component

Top Components

- 770 Hood surface
- 771 Hood surface reinforced by under hood component
- 772 Front fender top surface
- 773 Cowl area
- 774 Wiper blade & mountings
- 775 Windshield glazing
- 776 Front header
- 777 Roof surface
- 778 Backlight glazing
- 779 Rear header
- 780 Hatchback
- 781 Rear trunk lid
- 788 Other top component (specify): \_\_\_\_\_
- 789 Unknown top component

Wheels / tires

- 790 Left front wheel / tire
- 791 Right front wheel / tire
- 792 Left rear wheel / tire
- 793 Right rear wheel / tire
- 798 Other wheel / tire (specify): \_\_\_\_\_
- 799 Unknown wheel / tire

Undercarriage components

- 800 Front crossmember
- 801 Steering assembly/Front suspension
- 802 Oil pan
- 803 Exhaust system pipe
- 804 Transmission
- 805 Drive shaft
- 806 Catalytic converter
- 807 Muffler
- 808 Floor pan
- 809 Fuel tank
- 810 Rear suspension
- 818 Other undercarriage component (specify): \_\_\_\_\_
- 819 Unknown undercarriage component

Accessories

- 820 Air scoop, deflector
- 821 Cellular or CB radio antenna
- 822 Emergency lights or bar
- 823 Fog lights
- 824 Luggage, ski, or bike rack
- 825 Cargo (specify): \_\_\_\_\_
- 826 Spare tire
- 827 Spotlight
- 828 Other accessory (specify): \_\_\_\_\_

Other Object or Vehicle in Environment

- 947 Ground
- 948 Other object (specify): \_\_\_\_\_
- 949 Unknown object in environment
- 959 Unknown object on contacting vehicle
- 997 Noncontact injury source
- 999 Unknown injury source



# OFFICIAL INJURY DATA — SKELETAL INJURIES

Restrained?

No

Yes

Blood Alcohol Level (mg/dl)

BAL =       

Glasgow Coma Scale Score

GCSS = 14

Units of Blood Given

Units =       

Arterial Blood Gases

Ph = 7.35

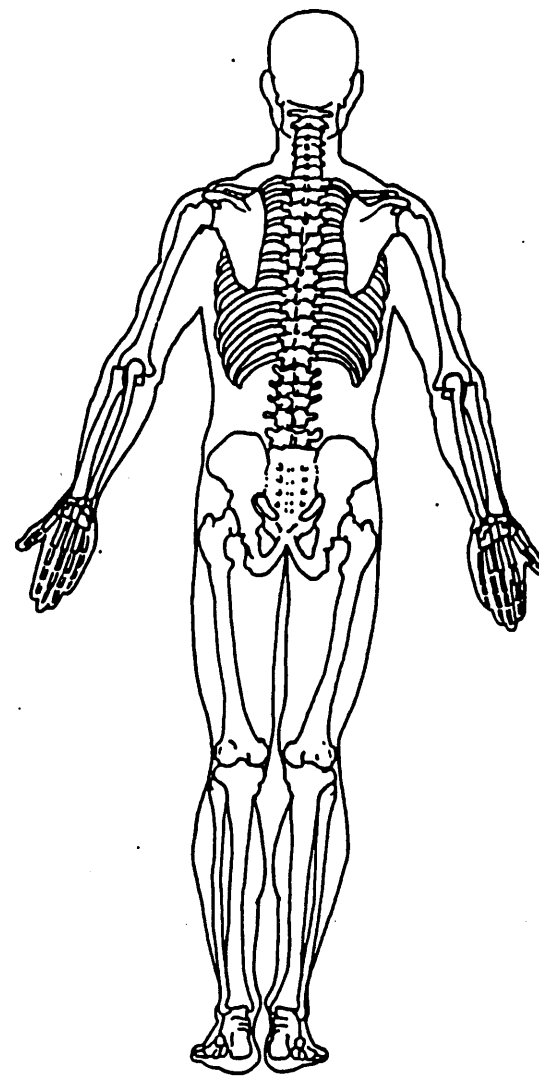
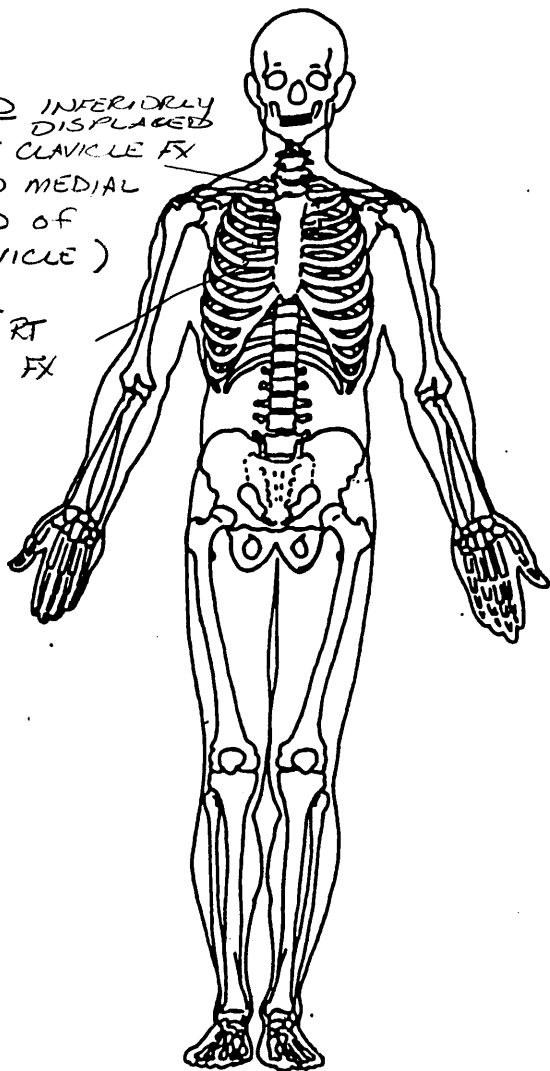
PO<sub>2</sub> = 91

PCO<sub>2</sub> = 36

HCO<sub>3</sub> = 20

Indicate the Location, Specific Anatomic Structure, Detail (size, depth, fracture type, head injury clinical signs and neurological deficits), and Source of all injuries indicated by official sources (or from PAR or other unofficial sources if medical records and interviewee data are unavailable.)

RAD INFERIORLY  
DISPLACED  
RT CLAVICLE FX  
(ON MEDIAL  
END OF  
CLAVICLE)  
RAD  
4th RT  
RIB FX

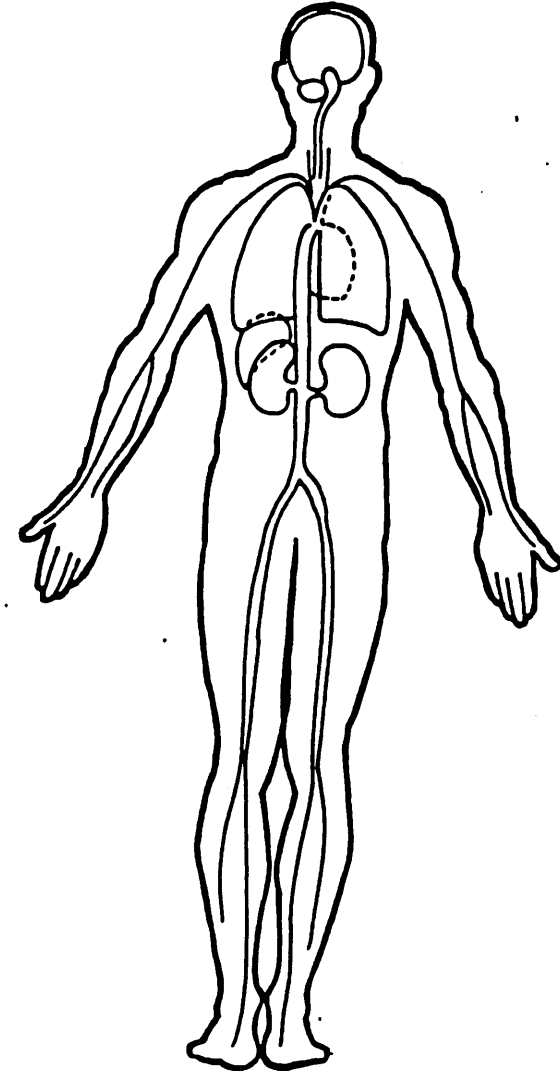
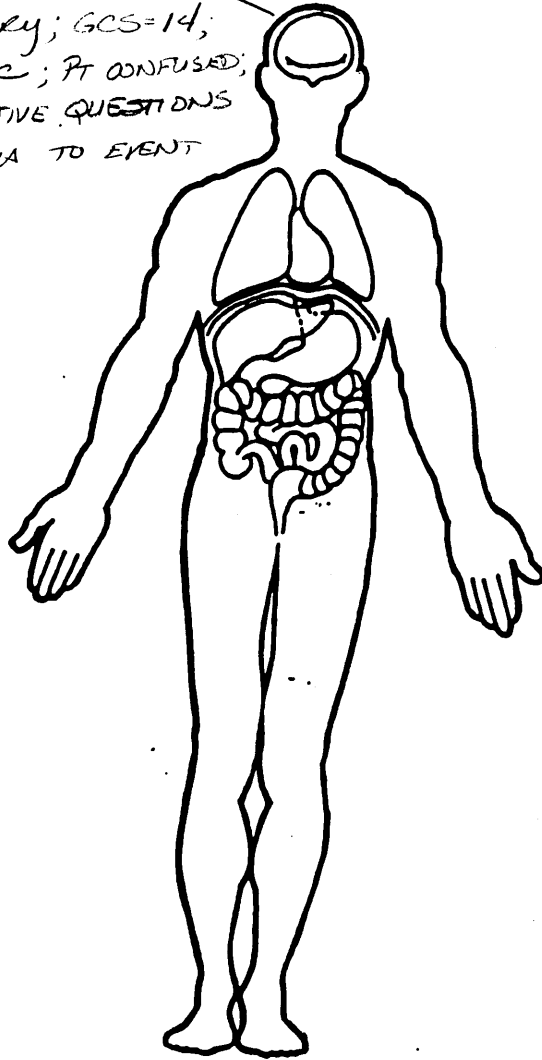


# OFFICIAL INJURY DATA — INTERNAL INJURIES

Indicate the Location, Specific Anatomic Structure, Detail (size, depth, fracture type, head injury clinical signs and neurological deficits), and Source of all injuries indicated by official sources (or from PAR or other unofficial sources if medical records and interviewee data are unavailable.)

DS:

CLOSED HEAD  
INJURY; GCS=14;  
(+) LOC; PT CONFUSED;  
REPETITIVE QUESTIONS  
AMNESIA TO EVENT



1  
PSU40  
CASE 613P

1998 PEDESTRIAN ACCIDENT FORM

MDE Datz

29

IDENTIFICATION

3. Number of General Vehicle Forms Submitted 01  
4. Date of Accident (Month, Day, Year) 98  
5. Time of Accident (military time) 2140

SPECIAL STUDIES - INDICATORS

6. SS15 0      7. SS16 1      8. SS17 0      9. SS18 0      10. SS19 0

NUMBER OF EVENTS

11. Number of Recorded Events in This Accident 01  
01

PEDESTRIAN ACCIDENT EVENTS

Accident Sequence Number	Vehicle Number	Class of Vehicle	General Area of Damage	Veh. Num. or Obj. Cont.	Class of Vehicle	General Area of Damage
-----	-----	-----	-----	-----	-----	-----
12. 01	13. 01	14. 01	15. F	16. 72	17. 00	18. 0

01

PSU40  
CASE 613P

1998 PEDESTRIAN ASSESSMENT FORM

VEHICLE 01 PEDESTRIAN 01

PEDESTRIAN'S CHARACTERISTICS

4. Pedestrian's Age	64
5. Pedestrian's Sex	1
6. Pedestrian's Overall Height	999
7. Pedestrian's Height - Ground to Knee	99
8. Pedestrian's Height - Ground to Hip	999
9. Pedestrian's Height - Ground to Shoulder	999
10. Pedestrian's Weight	999

PEDESTRIAN'S PRE-AVOIDANCE ACTIONS

11. Pedestrian's Attitude	1
12. Pedestrian's Motion	1
13. Pedestrian's Actions Relative to Vehicle	01
14. Pedestrian's Body (Chest) Orientation Relative to Striking Vehicle Prior to Avoidance Actions	9

PEDESTRIAN'S AVOIDANCE ACTIONS

15. Pedestrian's First Avoidance Actions	99
--	----

PEDESTRIAN'S ORIENTATION AT IMPACT

16. Pedestrian's Head Orientation at Initial Impact	9
17. Pedestrian's Body (Chest) Orientation at Initial Impact	9
18. Pedestrian's Arm Orientation at Initial Impact	99
19. Pedestrian's Leg Orientation at Initial Impact	99
20. Vehicle/Pedestrian's Interaction	04

OFFICIAL RECORDS

21. Police Reported Alcohol Presence For Pedestrian	7
22. Alcohol Test Result For Pedestrian	96
23. Police Reported Other Drug Presence For Pedestrian	0
24. Other Drug Specimen Test Result For Pedestrian	0

INJURY CONSEQUENCES

25. Injury Severity (Police Rating)	3
26. Treatment - Mortality	3
27. Type of Medical Facility (for Initial Treatment)	1
28. Hospital Stay	17
29. Working Days Lost	97

(COMPLETED BY THE ZONE CENTER)

30. Glasgow Coma Scale Score	14
31. Was the Pedestrian Given Blood?	9
32. Arterial Blood Gases	20
33. Time to Death	00
34. 1st Medically Reported Cause of Death	00
35. 2nd Medically Reported Cause of Death	00
36. 3rd Medically Reported Cause of Death	00
37. Number of Recorded Injuries for This Pedestrian	07

01

PSU40  
CASE 613P  
VEHICLE 01 PEDESTRIAN 01

1998 PEDESTRIAN INJURY FORM

PEDESTRIAN INJURY DATA

	Source of Inj. Data	Body Reg.	Type of Anat. Struc.	Spec. Anat. Struc.	Lev. of Inj.	AIS Sev.	Asp.	Inj. Source	Inj. Conf. Level	Dir./ Indir. Inj.	Str. Pro.	Type of Dmg.	Dmg. Dep.
01.	2	1	9	02	02	1	0	775	1	1	2	5	8
02.	2	1	9	06	00	1	0	775	1	1	2	5	8
03.	2	2	9	06	02	1	7	775	1	1	2	5	8
04.	2	2	9	06	00	1	8	775	1	1	2	5	8
05.	2	7	5	22	00	2	1	742	1	1	1	2	2
06.	2	4	5	02	12	1	1	770	1	1	2	2	2
07.	2	1	6	06	06	2	0	775	1	1	2	5	8

01  
PSU40  
CASE 613P  
VEHICLE 01

1998 PEDESTRIAN GENERAL VEHICLE FORM

VEHICLE IDENTIFICATION

4. Vehicle Model Year 99  
5. Vehicle Make 41  
6. Vehicle Model 037  
7. Body Type 04  
8. Vehicle Identification Number JM1GC221XH1

OFFICIAL RECORDS

9. Police Reported Travel Speed 999  
10. Speed Limit 048  
11. Police Reported Alcohol Presence For Driver 7  
12. Alcohol Test Result For Driver 96  
13. Police Reported Other Drug Presence 0  
14. Other Drug Specimen Test Result for Driver 0

VEHICLE WEIGHT ITEMS

15. Vehicle Curb Weight 1,110  
16. Vehicle Cargo Weight 9,990

OTHER DATA

17. Vehicle Special Use (This Trip) 0

RECONSTRUCTION DATA (COMPLETED BY THE ZONE CENTER)

18. Impact Speed +999  
19. Accuracy Range of Impact Speed Estimate 9  
20. Data Source of Impact Speed 0

PRECRASH DATA

21. Driver's Attention to Driving	9
22. Pre-Event Vehicle Movement	01

PRECRASH DATA (continued)

23. Critical Precrash Event	80
24. Attempted Avoidance Maneuver	01
25. Precrash Stability After Avoidance Maneuver	1
26. Precrash Directional Consequences of Avoidance Manuver (Corrective Action)	1

ENVIRONMENTAL DATA

27. Relation to Junction	2
28. Trafficway Flow	1
29. Number of Travel Lanes	4
30. Roadway Alignment	1
31. Roadway Profile	1
32. Roadway Surface Type	2
33. Roadway Surface Condition	2
34. Traffic Control Device	1
35. Traffic Control Device Functioning	2
36. Light Conditions	3
37. Atmospheric Conditions	2

01  
PSU40                                    1998 PEDESTRIAN EXTERIOR VEHICLE FORM  
CASE 613P  
VEHICLE 01

VEHICLE DIMENSIONS

4. Original Wheelbase	251
5. Original Average Track Width	143
6. Hood Material	3
7. Hood Original Equip. Manufacturer	1
8. Hood Length	113
9. Hood Width Forward Opening	134
10. Hood Width Midway	141
11. Hood Width Rear Opening	143
12. Hood/Fender Vertical/Lateral Crush From Pedestrian	1
13. Windshield Contact Damage From Pedestrian Contact	2

FRONT CONTACT DAMAGE

FRONT VERTICAL MEASUREMENTS

14. Front Bumper Cover Material	1	15. Front Bumper Reinforcement Mat.	1
16. Front Bumper-Bottom Height	037	17. Front Bumper-Top Height	050
18. Forward Hood Opening	067	19. Front Bumper Lead	12

FRONT WRAP DISTANCE MEASUREMENTS

20. Ground to Fwd. Hood Opening	070	21. Ground to Front/Top Transition Pt	075
22. Ground to Rear Hood Opening	184	23. Ground to Base of Windshield	197
24. Ground to Top of Windshield	263	25. Ground to Head Contact	237

SIDE CONTACT DAMAGE

SIDE VERTICAL MEASUREMENTS

26. Ground Clearance	000
27. Side Bumper-Bottom Height	000
28. Side Bumper-Top Height	000
29. Centerline of Wheel	000
30. Top of Tire	000
31. Top of Wheel Well Opening	000
32. Bottom of A-Pillar at Windshield	000
33. Top of A-Pillar at Windshield	000
34. Top of Side View Mirror	000

SIDE CONTACT DAMAGE (continued)

SIDE LATERAL MEASUREMENTS

35. Centerline to A-Pillar at Bottom of Windshield	000
36. Centerline to A-Pillar at Top of Windshield	000
37. Centerline to Maximum Side View Mirror Protrusion	000

SIDE WRAP DISTANCE MEASUREMENTS

38. Ground to Side/Top Transition	000
39. Ground to Hood Edge	000
40. Ground to Centerline of Hood (Origin)	000
41. Ground to Head Contact	000

0





PSU40  
CASE 613P  
CURRENT VERSION: 11.0

ERROR SUMMARY SCREEN  
PEDESTRIAN STUDY

99

FORM NAME	NUMBER OF DOLLAR SIGNS	NUMBER OF LEVEL 1 ERRORS	NUMBER OF LEVEL 2 ERRORS	VERSION NUMBER CONSISTENT
Pedestrian Accident	0	0	0	Y
Pedestrian Assessment	0	0	0	Y
Pedestrian Injury	0	0	0	Y
Pedestrian General Vehicle	0	0	0	Y
Pedestrian Exterior Vehicle	0	0	0	Y
Total Inter Errors		0	0	
Total Case Errors	0	0	0	