

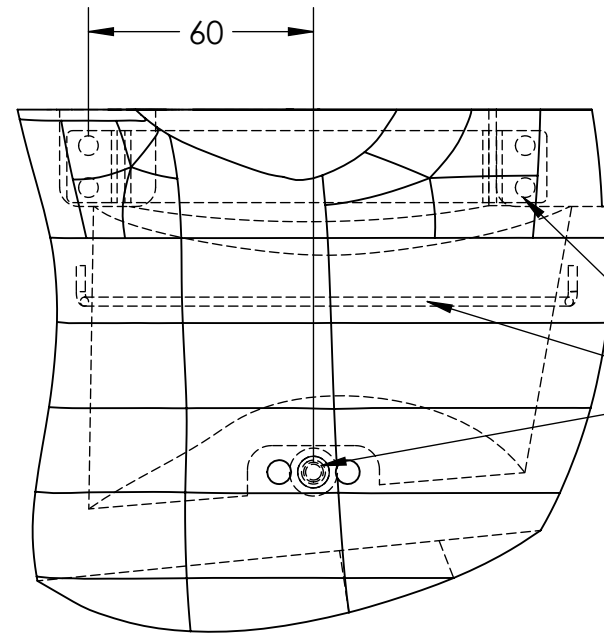
4

3

2

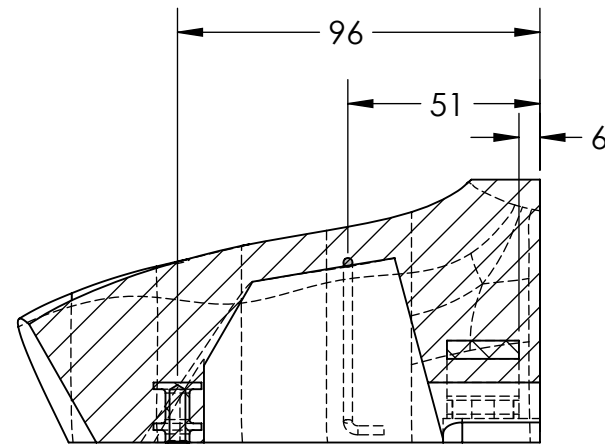
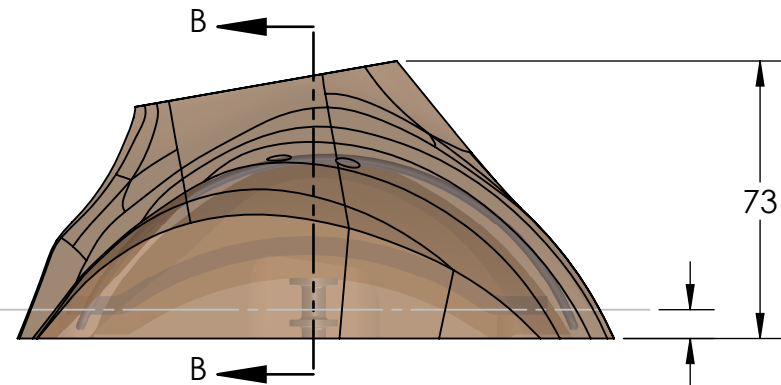
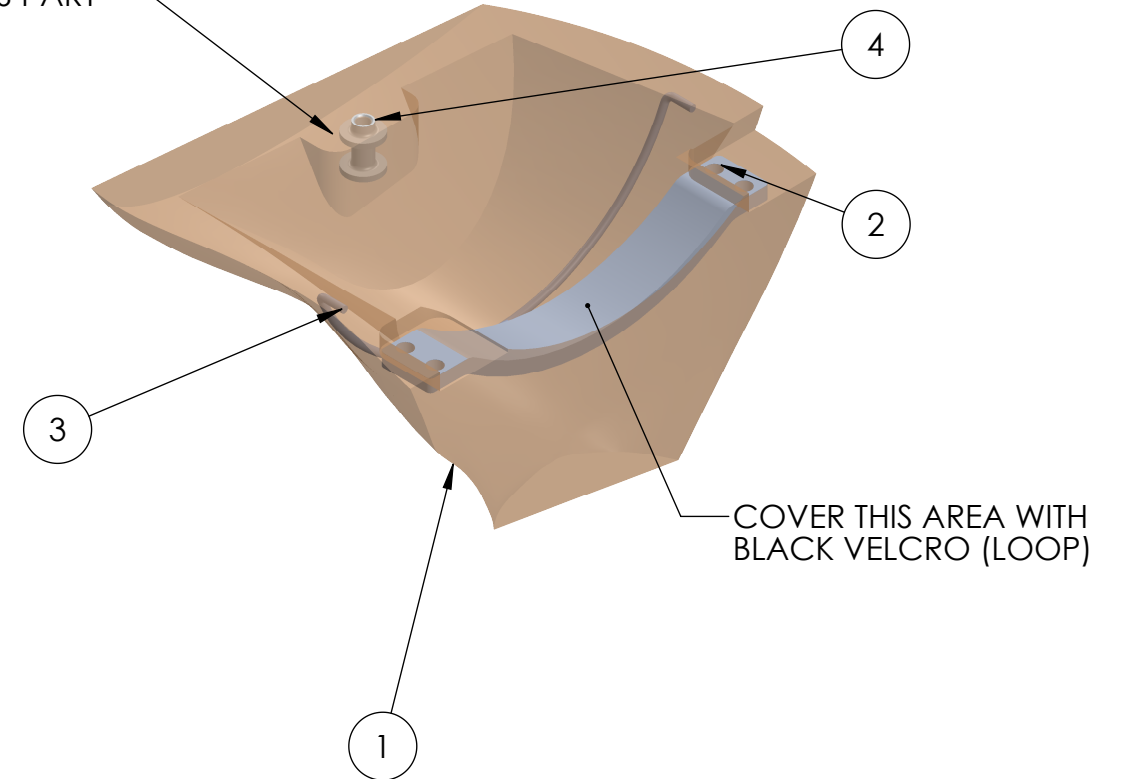
1

REVISIONS				
ZONE	REV.	DESCRIPTION	DATE	APPROVED



THERE ARE FEATURES BUILT INTO THE MOLD TO LOCATE THESE PARTS

APPLY PRIMER TO THIS PART



SECTION B-B
8 THIS PORTION OF THE PART IS
POURED WITH SOLID URETHANE RUBBER.

MATERIAL: SKIN, SMOOTH-ON 60 URETHANE RUBBER BLACK
FILL: SMOOTH-ON IT-X URETHANE FOAM BLACK

ITEM NO.	PART NUMBER	DESCRIPTION	QTY.
1	W50-35044-1	MOLDED SHOULDER PAD, LEFT	1
2	W50-35041	STIFFENER BRACKET	1
3	W50-35043	MID PART STIFFENER	1
4	W50-35048	SHOULDER BUSHING	1

UNLESS OTHERWISE SPECIFIED:

DIMENSIONS ARE IN MM
TOLERANCES:
FRACTIONAL ± 1/64
ANGULAR: MACH ±.5 BEND ±2
ONE PLACE DECIMAL ±.1
TWO PLACE DECIMAL ±.05

INTERPRET GEOMETRIC
TOLERANCING PER: ASME Y14.5-2009

MATERIAL
SEE NOTES

FINISH

DO NOT SCALE DRAWING

VEHICLE RESEARCH
AND TEST CENTER

NAME

CHECKED

ENG APPR.

APPROVED



NATIONAL HIGHWAY TRAFFIC
SAFETY ADMINISTRATION

TITLE:

SHOULDER PAD, LEFT

SIZE

B

DWG. NO.

W50-35040-1

REV

SCALE: 1:2

SHEET 1 OF 1

4

3

2

1