

4

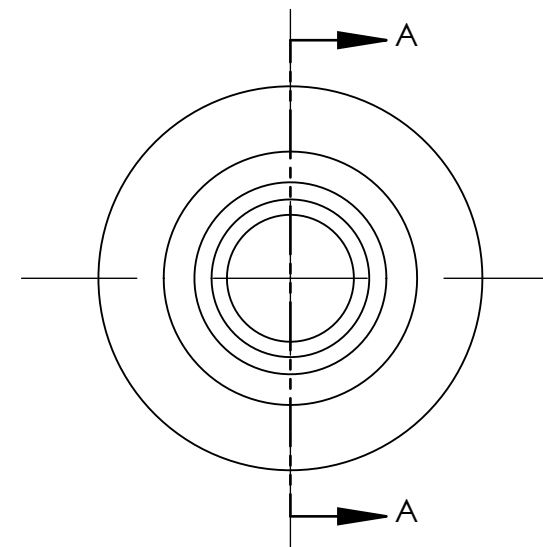
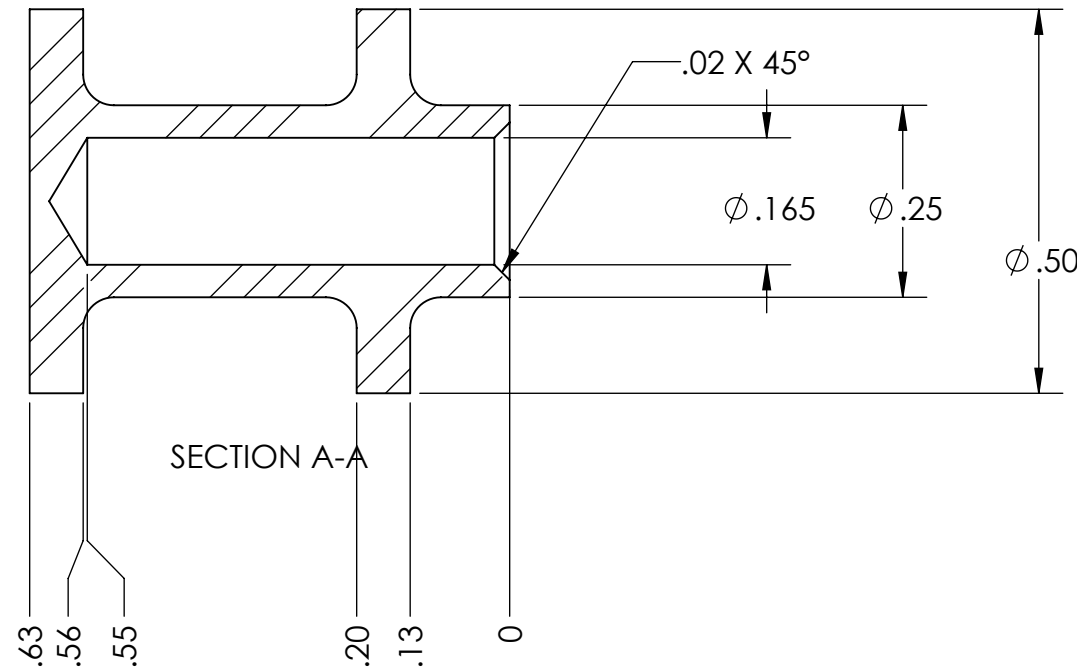
3

2


1

REVISIONS

ZONE	REV.	DESCRIPTION	DATE	APPROVED
------	------	-------------	------	----------



SECTION A-A

UNLESS OTHERWISE SPECIFIED: DIMENSIONS ARE IN INCHES TOLERANCES: FRACTIONAL $\pm 1/64$ ANGULAR: MACH $\pm .5$ BEND $\pm 2$ TWO PLACE DECIMAL $\pm .01$ THREE PLACE DECIMAL $\pm .005$ INTERPRET GEOMETRIC TOLERANCING PER: ASME Y14.5-2009	VEHICLE RESEARCH AND TEST CENTER		 NATIONAL HIGHWAY TRAFFIC SAFETY ADMINISTRATION	TITLE: <b>SHOULDER BUSHING</b>		
	NAME DRAWN	DATE		SIZE <b>B</b>		DWG. NO. <b>W50-35048</b>
	MATERIAL DELRIN	ENG APPR. APPROVED	SCALE: 4:1		SHEET 1 OF 1	
	DO NOT SCALE DRAWING					

4

3

2

1

B

B

A

A