

01-022-N11B-7831

HYUNDAI AMERICA TECHNICAL CENTER, INC.

Los Angeles Branch
A Subsidiary of Hyundai Motor Company (Korea)

12610 East End Ave.
Chino, CA 91710

Tel: (909) 627-3525
Fax: (909) 628-7682

May 22, 2000

ORIGINAL

Administrator
National Highway Traffic Safety Administration
400 Seventh Street S.W.
Washington, D.C. 20590
Attention: VIN Coordinator

4 pgs

REC'D
BY 1333
MAY 24 11 11 AM '00

Subject: Truck VIN Information

Dear Ms. Millman:

Pursuant to CFR Title 49 Part 565.7 (c), Hyundai Motor Company (HMC) herewith submits its' 2001 MY Vehicle Identification Number (VIN) coding for trucks to be imported into the U.S. Attached are three copies of VIN decoders for the various HMC truck models.

Please do not hesitate to contact me if you should have any questions regarding this information.

Sincerely,



Alfred E. Gloddeck
Manager – Government Affairs

Attachments

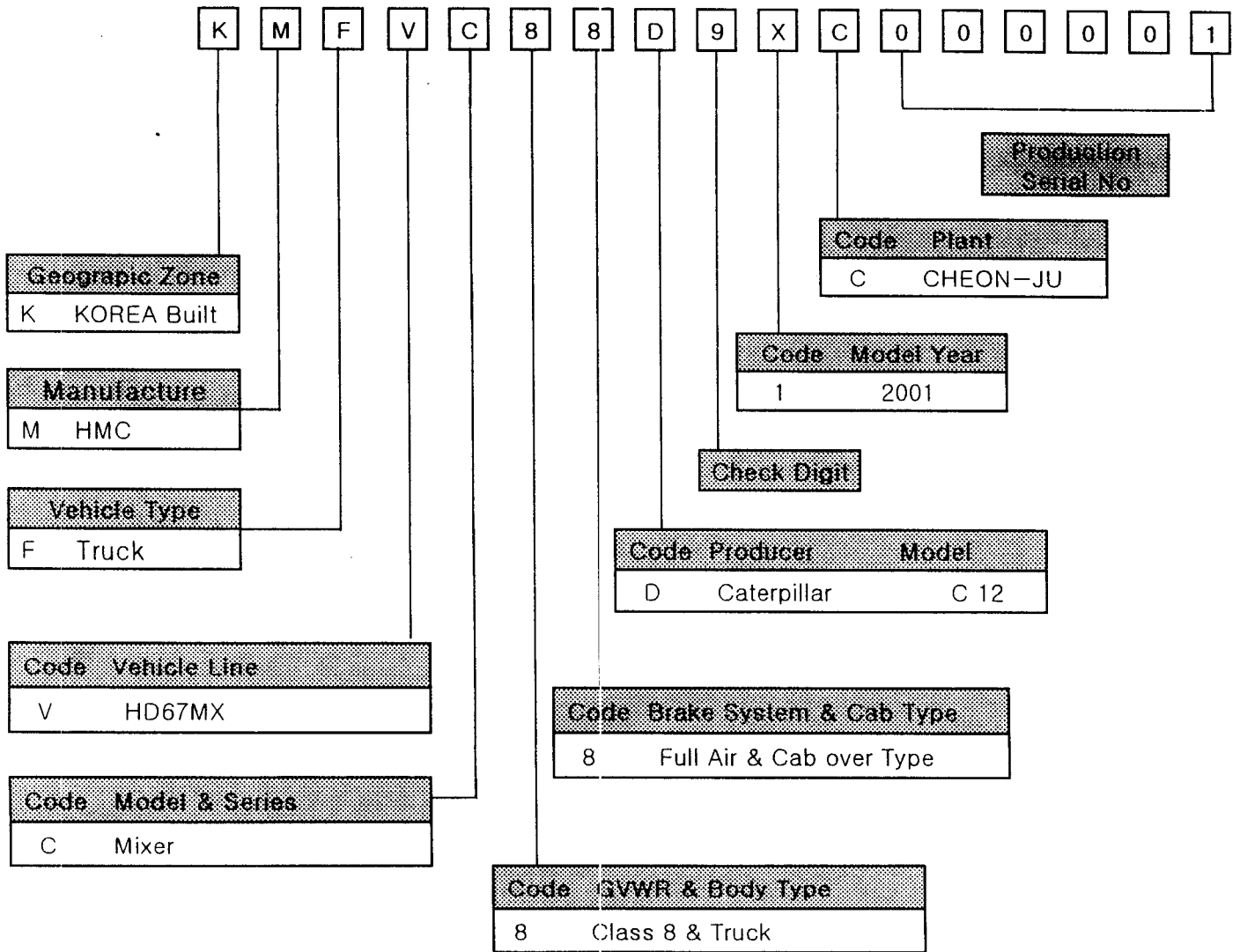
REC'D
BY 1333
MAY 24 11 11 AM '00

0001

HYUNDAI MOTOR COMPANY

HD67MX 2001MY VIN SYSTEM

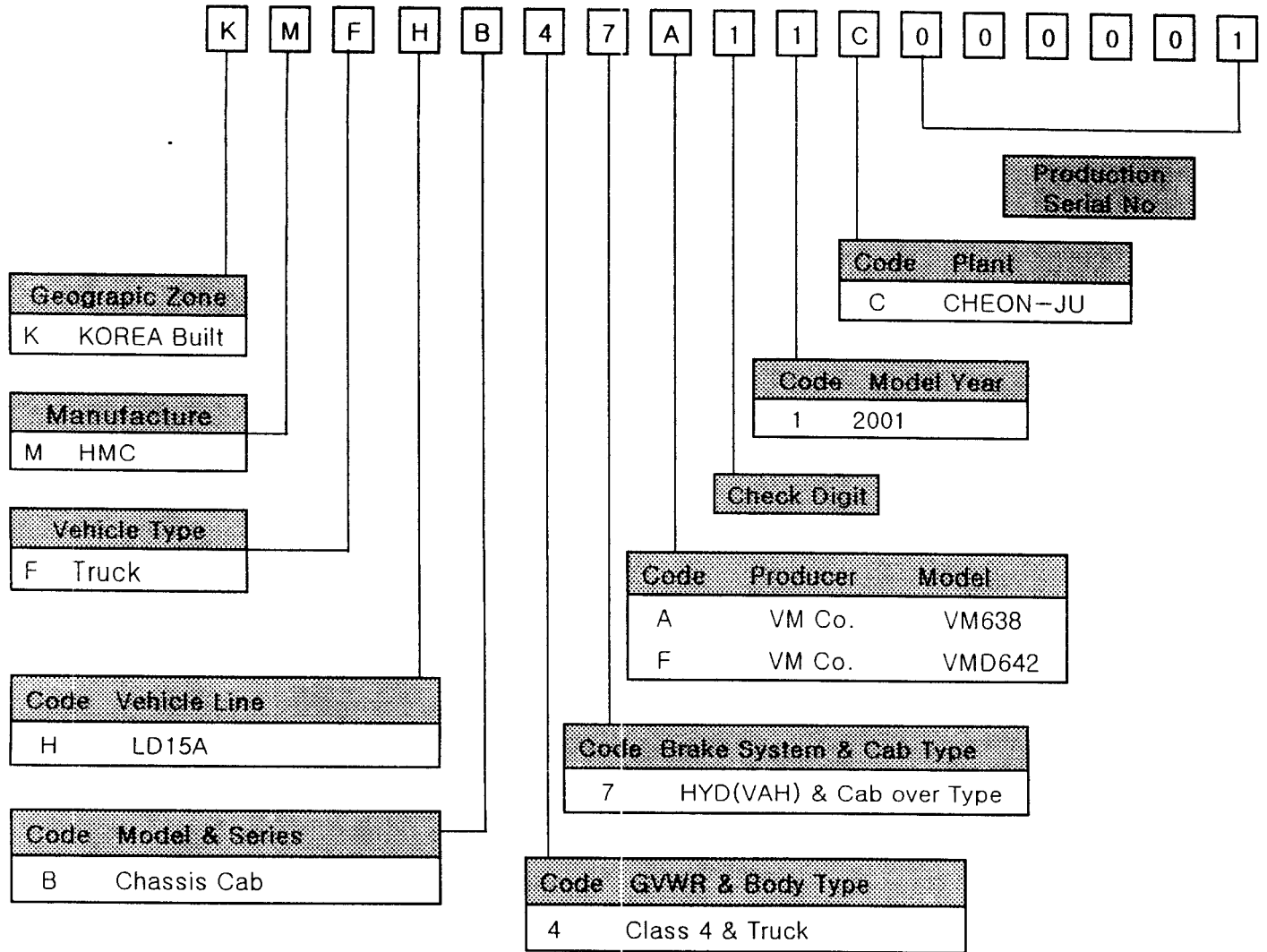
VEHICLE IDENTIFICATION NUMBER (VIN)



HYUNDAI MOTOR COMPANY

LD15A 2001MY VIN SYSTEM

VEHICLE IDENTIFICATION NUMBER (VIN)



HYUNDAI MOTOR COMPANY

MD23M, MD23A, MD26M, MD26A 2001MY VIN SYSTEM

VEHICLE IDENTIFICATION NUMBER (VIN)

