

01-022-N11B-7867

1/5/01

Administrator
National Highway Traffic
Safety Administration
400 Seventh Street, S. W.
Washington, D. C. 20590
USA

Mazda Motor Corporation
Hiroshima
730-8670 Japan
Telephone:(082)282-1111



Attention: VIN Coordinator

ORIGINAL

Aug 23, 2000
Our Ref. No. NH00/12

EXECUTIVE SECRETARIAT
2000 SEP -1 A 8:43
NATIONAL HIGHWAY
TRAFFIC SAFETY ADM.

Re: 2001 VIN Coding

Dear Sir:

5 pp

Enclosed please find 2001 model year VIN coding information which revises our previous submission dated May 12, 2000. There was an inadvertent mistake with regards to the VIN fourth position for Mazda Tribute(Attachment 4/4).

Added:

- B = Hydraulic/Class B/with D&P Frontal&Side Air Bag
- U = Hydraulic/Class B/with D&P Frontal Air Bag

Deleted:

- D = Hydraulic/Class D/with D&P Frontal&Side Air Bag
- Z = Hydraulic/Class D/with D&P Frontal Air Bag

If you have any questions, please do not hesitate to contact Mr. Mitsuhide Kikkawa (313) 594-7838 at Mazda North American Operations.

Sincerely,

Kazuhiko Takahashi
Manager
Overseas Certification Group
Environmental & Safety
Engineering Department

- cc: MNAO – Ann Arbor Office / Mr. David Robertson, Mr. Mitsuhide Kikkawa
- MNAO – Washington Office / Mr. Stephen Gehring
- MNAO – Irvine Office / Mr. Hisao Nishitani
- MNAO – Irvine Office / Ms. Donna Ventura (Dist.)
- MCI / Mr. Rod Matheson (Quality Assurance & Technical Services)
- MCI / Ms. Lisa Rodkin (National Distribution & Vehicle Planning)

0001

VEHICLE IDENTIFICATION NUMBER																	DECIPHERABLE INFORMATION	
Section	1st			2nd					3rd									
Position	1	2	3	4	5	6	7	8	9	10	11	12	13	14	15	16		17
World Manufacturer Identifier																		
J	M	1																MAZDA MAKE Passenger Car manufactured by MAZDA
J	M	2																MAZDA MAKE Truck manufactured by MAZDA
J	M	3																MAZDA MAKE Multipurpose Passenger Vehicle manufactured by MAZDA
1	Y	V																MAZDA MAKE Passenger Car manufactured by AAI
4	F	2																MAZDA MAKE Multipurpose Passenger Vehicle manufactured by FORD
4	F	4																MAZDA MAKE Truck manufactured by FORD
Check Digit																		
									*									* =0,1,2,3,4,5,6,7,8,9,X (Calculation according to § 565.6(c) in PART 565)
Model Year																		
										1								2001 Model Year
Plant of Manufacturer																		
										0								MAZDA; Hiroshima, Japan
										1								MAZDA; Hofu, Yamaguchi, Japan
										5								AAI(=AutoAlliance International Inc); Flat Rock, Michigan, USA
										K								FORD; Kansas City, Claycomo, Missouri, USA
										T								FORD; Edison, New Jersey, USA
Sequence Number																		
																		M00001 ~ M99999 for B-series M00001 ~ N99999 for Tribute 100001 ~ 999999 for other models

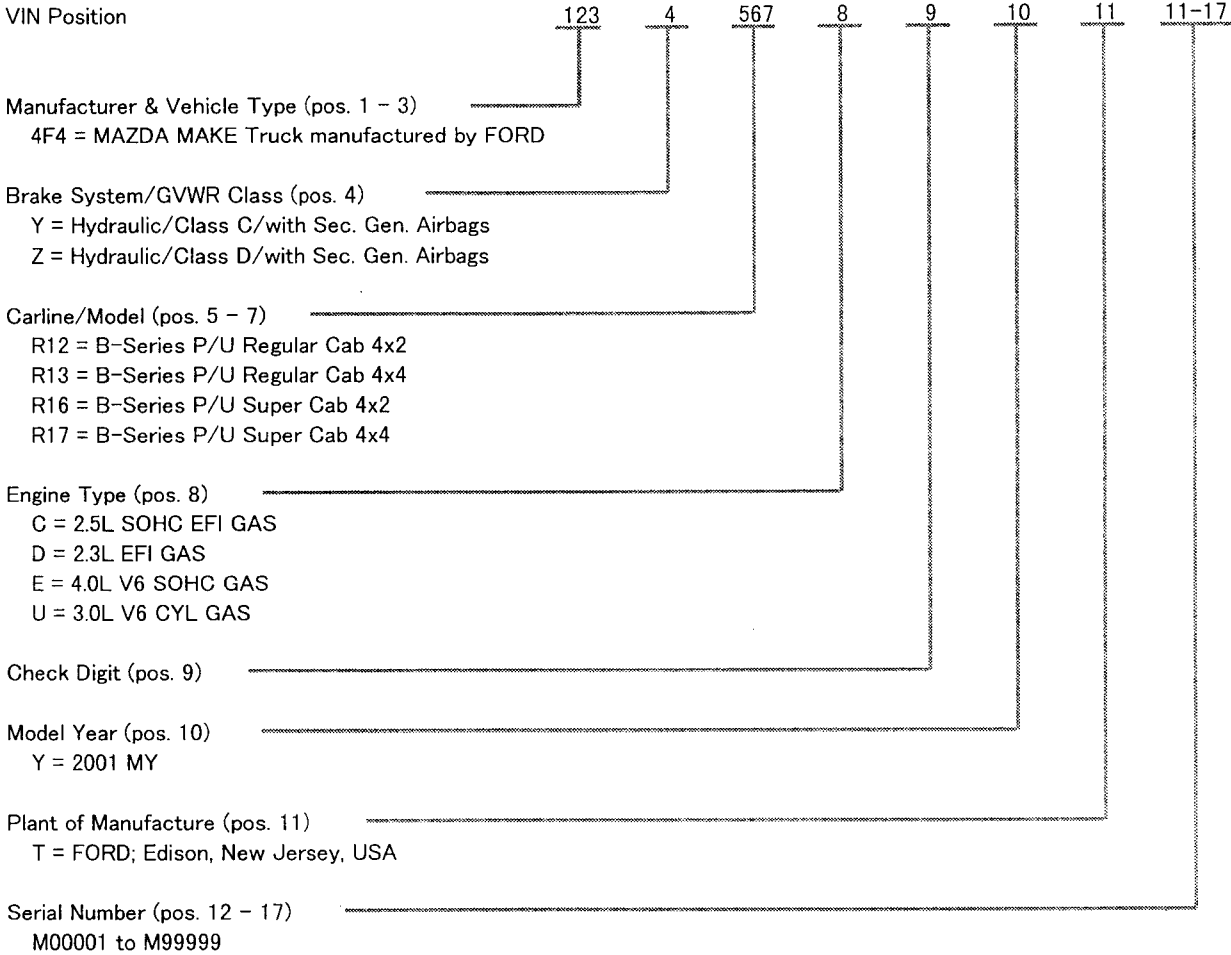
0002

VEHICLE IDENTIFICATION NUMBER																	DECIPHERABLE INFORMATION						
Section	1st			2nd					3rd								LINE	SERIES	BODY TYPE	ENGINE TYPE	HORSE POWER	RESTRAINT SYSTEM TYPE	
Position	1	2	3	4	5	6	7	8	9	10	11	12	13	14	15	16							17
	J	M	1															MAZDA MAKE Passenger Car manufactured by MAZDA					
				B	J	2	2	2										PROTEGE	SEDAN	4DOOR SEDAN	ZMD(1.6L)	103±10	D&P Frontal Air Bag
				B	J	2	2	4										PROTEGE	SEDAN	4DOOR SEDAN	ZMD(1.6L)	103±10	D&P Frontal Air Bag, D&P Side Air Bag
				B	J	2	2	5										PROTEGE	SEDAN	4DOOR SEDAN	FSD(2.0L)	TBD	D&P Frontal Air Bag
				B	J	2	2	6										PROTEGE	SEDAN	4DOOR SEDAN	FSD(2.0L)	TBD	D&P Frontal Air Bag, D&P Side Air Bag
				N	B	3	5	3										MX-5	COUPE	2DOOR CONVERTIBLE	BPD(1.8L)	155±15	D&P Frontal Air Bag
				T	A	2	2	1										MILLENNIA	SEDAN	4DOOR SEDAN	KLD(2.5L)	170±17	D&P Frontal Air Bag, D&P Side Air Bag
				T	A	2	2	2										MILLENNIA	SEDAN	4DOOR SEDAN	KJS(2.3L)	210±21	D&P Frontal Air Bag, D&P Side Air Bag
	1	Y	V															MAZDA MAKE Passenger Car manufactured by AAI					
				G	F	2	2	C										626	SEDAN	4DOOR SEDAN	FSD(2.0L)	125±12	D&P Frontal Air Bag
				G	F	2	2	D										626	SEDAN	4DOOR SEDAN	KLD(2.5L)	165±16	D&P Frontal Air Bag
				G	F	2	2	E										626	SEDAN	4DOOR SEDAN	FSD(2.0L)	125±12	D&P Frontal Air Bag, D&P Side Air Bag
				G	F	2	2	F										626	SEDAN	4DOOR SEDAN	KLD(2.5L)	165±16	D&P Frontal Air Bag, D&P Side Air Bag

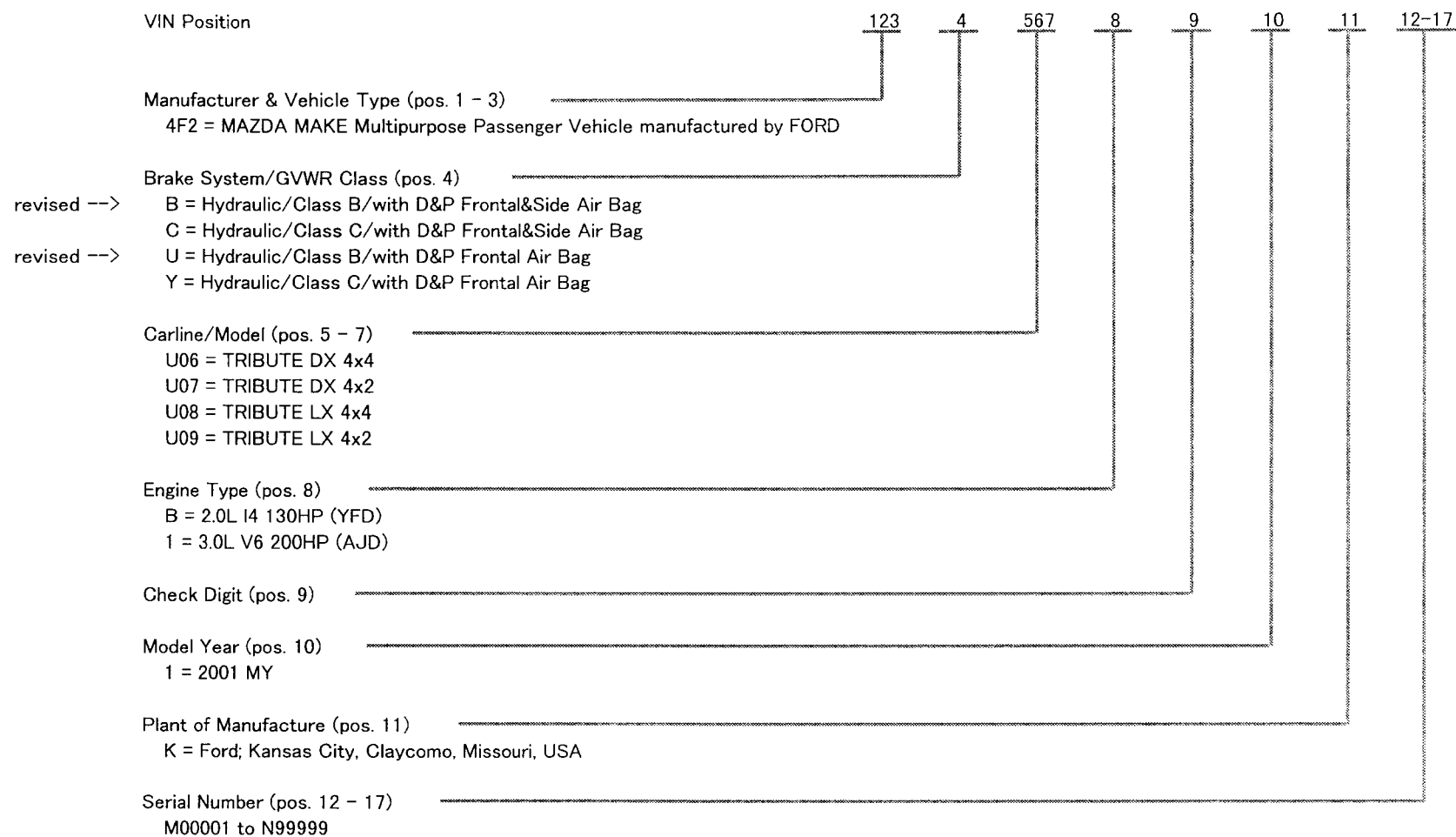
VEHICLE IDENTIFICATION NUMBER																	DECIPHERABLE INFORMATION						
Section	1st			2nd					3rd								LINE	SERIES	BODY TYPE	ENGINE TYPE	HORSE POWER	BRAKE SYSTEM / GVWR CLASS / RESTRAINT SYSTEM TYPE	
Position	1	2	3	4	5	6	7	8	9	10	11	12	13	14	15	16							17
	J	M	3															MAZDA MAKE Multipurpose Passenger Vehicle manufactured by MAZDA					
				L	W	2	8	G										MPV	WAGON	4DOOR WAGON	GYD(2.5L)	160±16	Hydraulic / Class D / D&P Frontal Air Bag
				L	W	2	8	Y										MPV	WAGON	4DOOR WAGON	GYD(2.5L)	160±16	Hydraulic / Class D / D&P Frontal Air Bag, D&P Side Air Bag

0003

2001 MY B-Series VIN Coding



2001 MY TRIBUTE VIN Coding



0005