

Linear Dynamics Inc., 79 Montgomery Street, Montgomery, PA 17752, 570-547-1621, FAX 570-547-1629

Defining the American Road

Ian A. Clugston
Director of Engineering
Equipment Division

01-022-N11B-8159

ORIGINAL

2 pgs

December 13, 2000

Administrator
National Highway Traffic Safety Administration
400 Seventh Street, SW NSA-32
Washington, DC 20590

ATTN: VIN Coordinator

In accordance with §565.7(c) of 49 CFR Part 565, *Vehicle Identification Number*, Linear Dynamics Inc. hereby submits Vehicle Identification Number (VIN) decoding information.

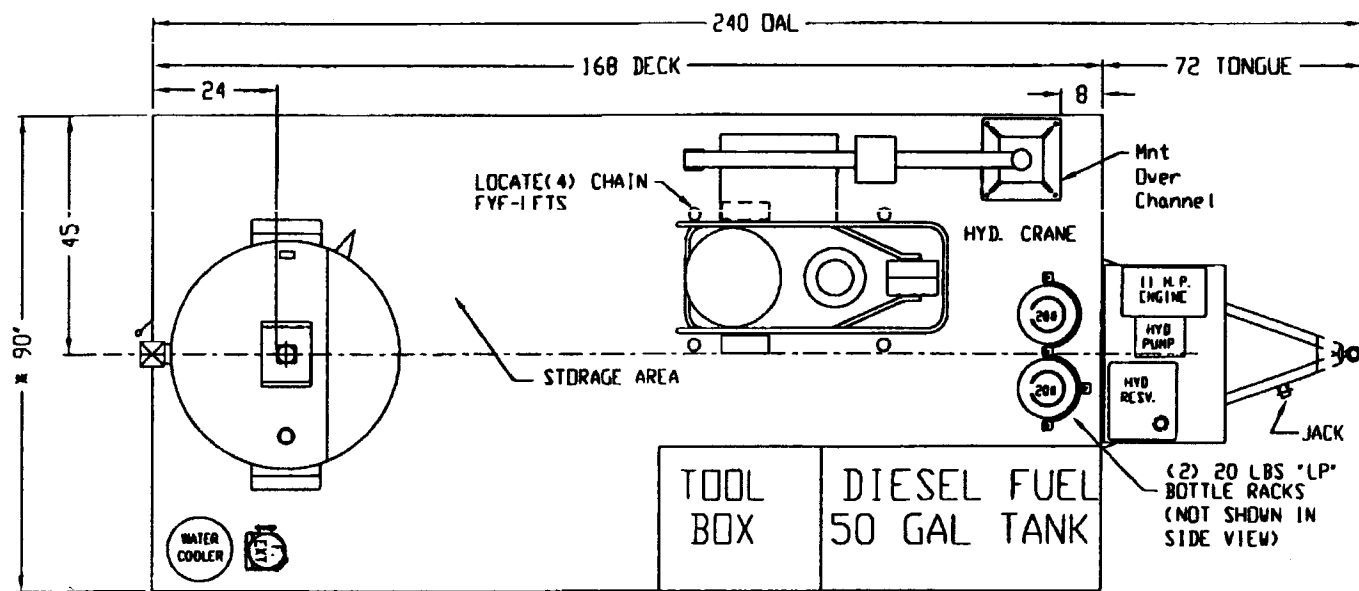
VIN POSITION	DESCRIPTION	CODES
1, 2, & 3	WMI	1L9
4	Trailer Type	U
5	Body Type	C
6 & 7	Length of Trailer	20 (Feet Long)
8	Number of Axles	2
9	Check Digit	1
10	Model Year	Y
11	Plant Location	M
12, 13 & 14	WMI	240
15, 16 & 17	Sequential Production Number	002

Ian A. Clugston
Director of Engineering
Linear Dynamics Inc.
Equipment Division

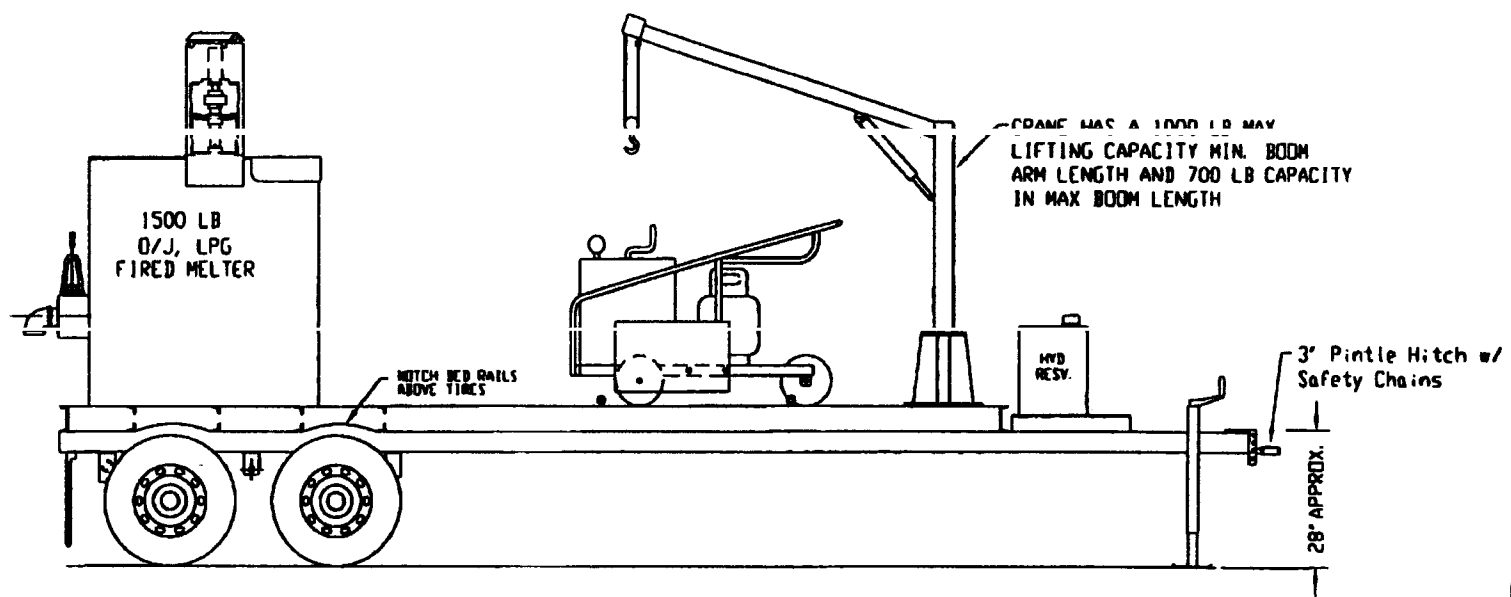
0001

IAC/jar
cc: SO23510





APPROVED: _____
DATE: _____



0002

12,000 # GVW

This Drawing is the Property of
Linear Dynamics Inc.
30 Montgomery Street
Montgomery, Pennsylvania 19362

DESIGNED: THERMIDIT GENERAL ARRANGEMENT	DATE: 10/8/00
BY: RPS	SCALE: 1" = 1'-0"
CHK: [Signature]	DATE: 10/8/00
TR: RACH	CA-22510