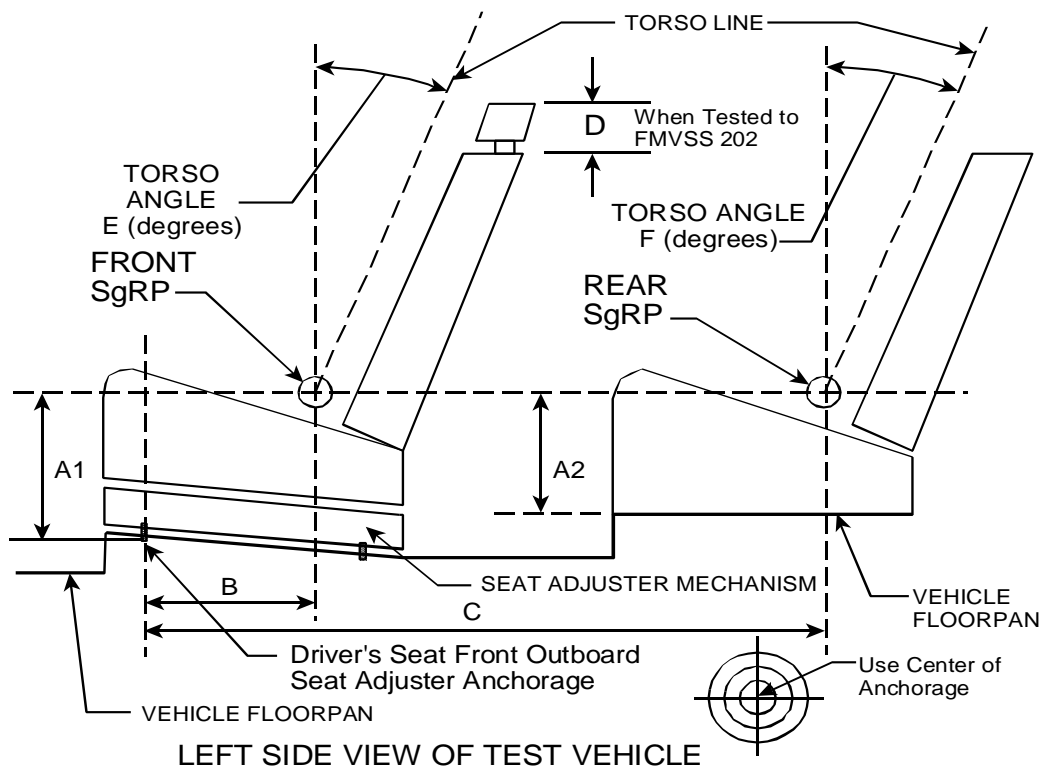


SEAT REFERENCE POINT (SRP) AND TORSO ANGLE DATA

FMVSS No. 216a
(All dimensions in inches)

Model Year: _____ / Make: _____ / Model: _____

Body Style: _____ / Seat Style: _____



DIMENSION	FRONT, A1	REAR, A2
A		
B		
C		
D		
E		_____ °
F		_____ °