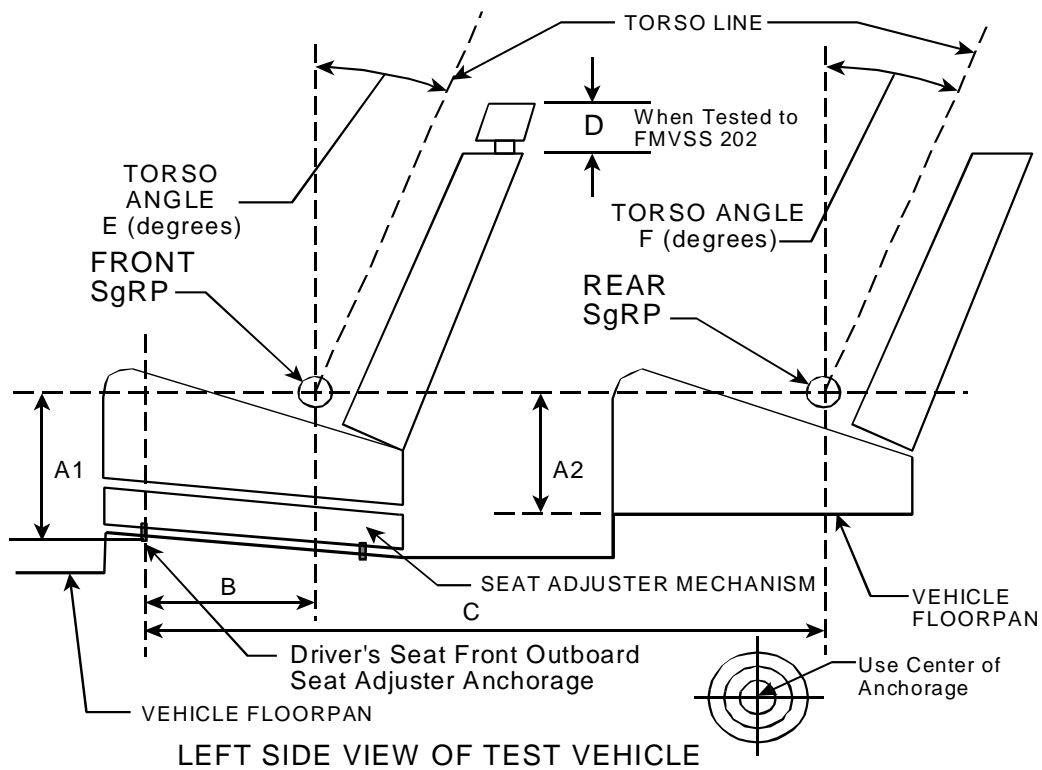


## SEAT REFERENCE POINT (SRP) AND TORSO ANGLE DATA

FMVSS No. 201, 202, 203, 207, 210 & 216  
(All dimensions in inches)

Model Year: \_\_\_\_\_ / Make: \_\_\_\_\_ / Model: \_\_\_\_\_

Body Style: \_\_\_\_\_ / Seat Style: \_\_\_\_\_



DIMENSION	FRONT, A1	REAR, A2
A		
B		
C		
D		
E		_____ E
F		_____ E

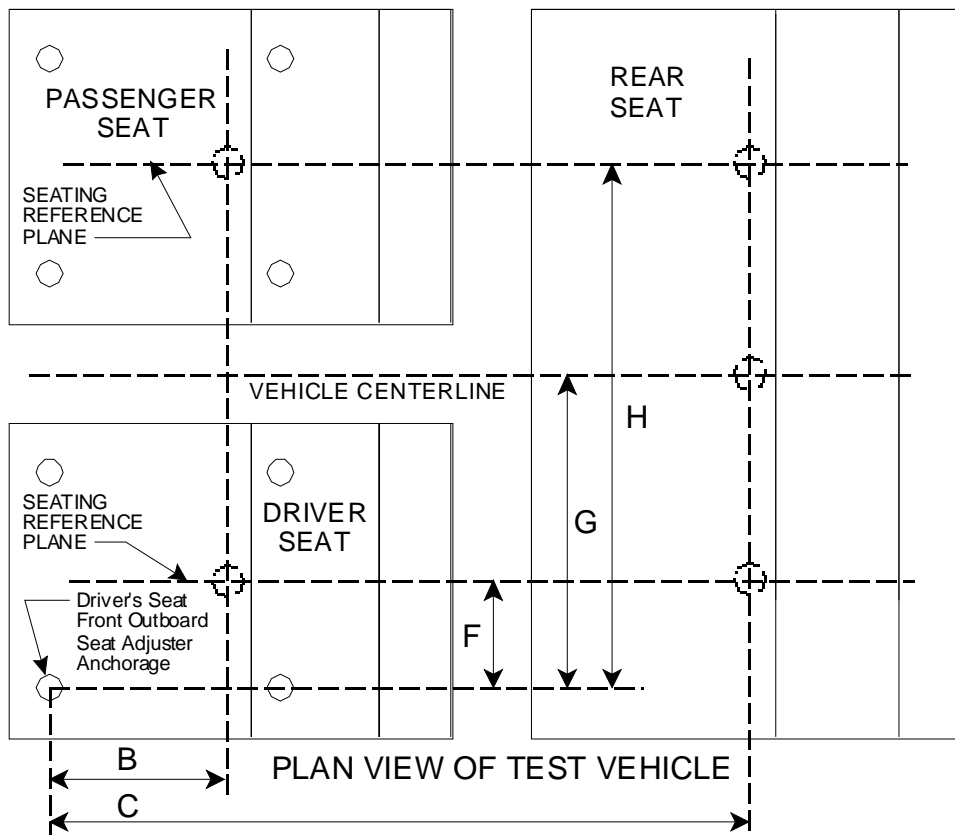
# SEATING REFERENCE POINT (SRP) AND TORSO ANGLE DATA

FMVSS No. 201, 202, 203, 207 & 210

(All dimensions in inches)

Model Year: \_\_\_\_\_ / Make: \_\_\_\_\_ / Model: \_\_\_\_\_

Body Style: \_\_\_\_\_ / Seat Style: \_\_\_\_\_



B	
C	
F*	
G	
H*	

\* Provide all dimensions needed to locate SRP.

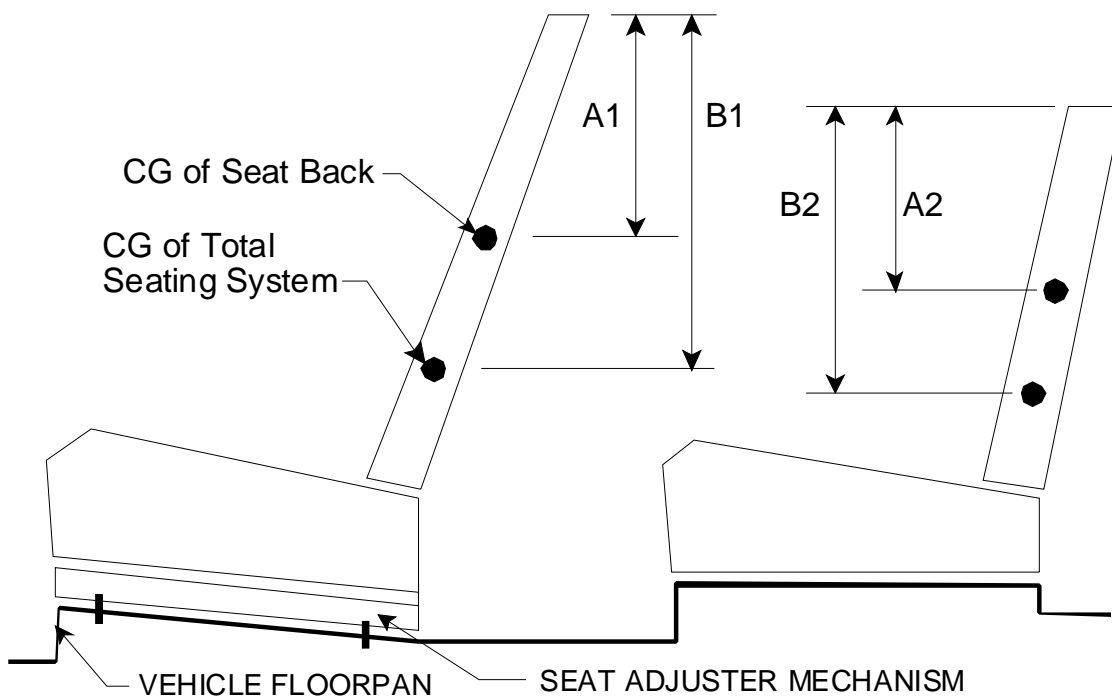
### TEST VEHICLE SEAT INFORMATION

FMVSS No. 201, 202, 203, 207 & 210

(All dimensions in inches)

Model Year: \_\_\_\_\_ / Make: \_\_\_\_\_ / Model: \_\_\_\_\_

Body Style: \_\_\_\_\_ / Seat Style: \_\_\_\_\_



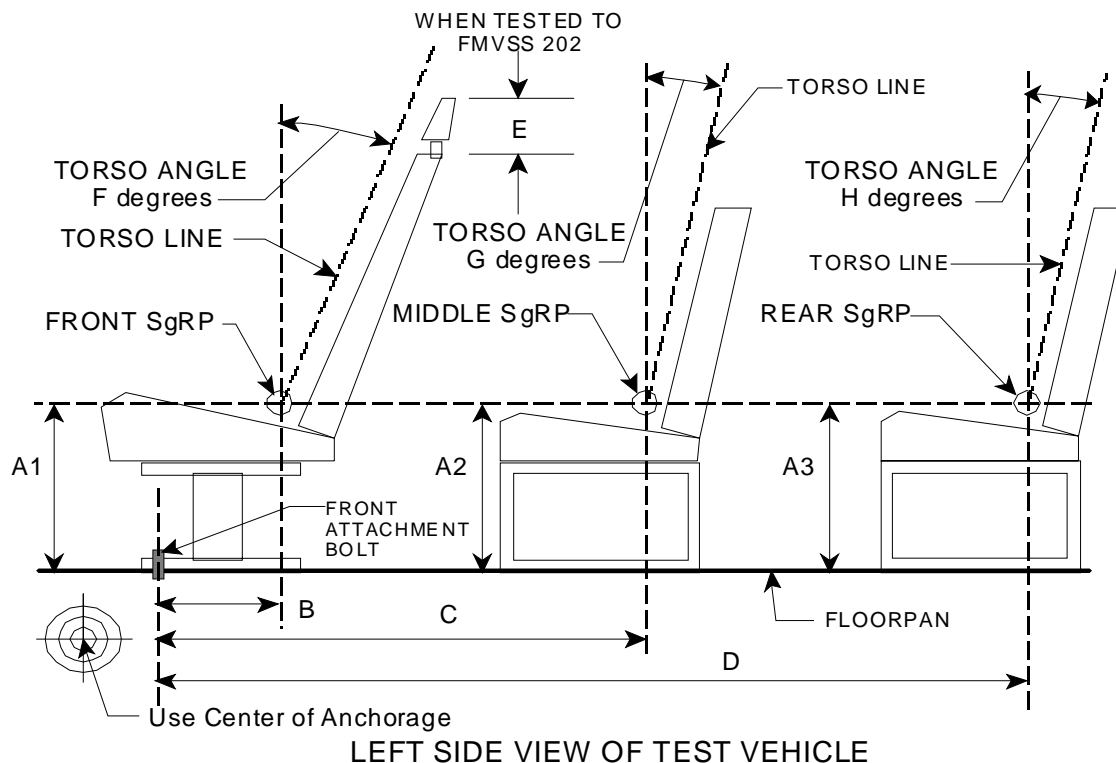
A1			FRONT	BACK
B1		Weight of Hinged or Folding portion of seat		
A2		Weight of Total Seat System		
B2		Angle of Seat Back		

# SEATING REFERENCE POINT (SRP) AND TORSO ANGLE DATA

FMVSS No. 201, 202, 203, 207 & 210  
(All dimensions in inches)

Model Year: \_\_\_\_\_ / Make: \_\_\_\_\_ / Model: \_\_\_\_\_

Body Style: \_\_\_\_\_ / Seat Style: \_\_\_\_\_



DIMENSION	FRONT, A1	MIDDLE, A2	REAR, A3
A			
B			
C			
D			
E			
F			
G			
H			

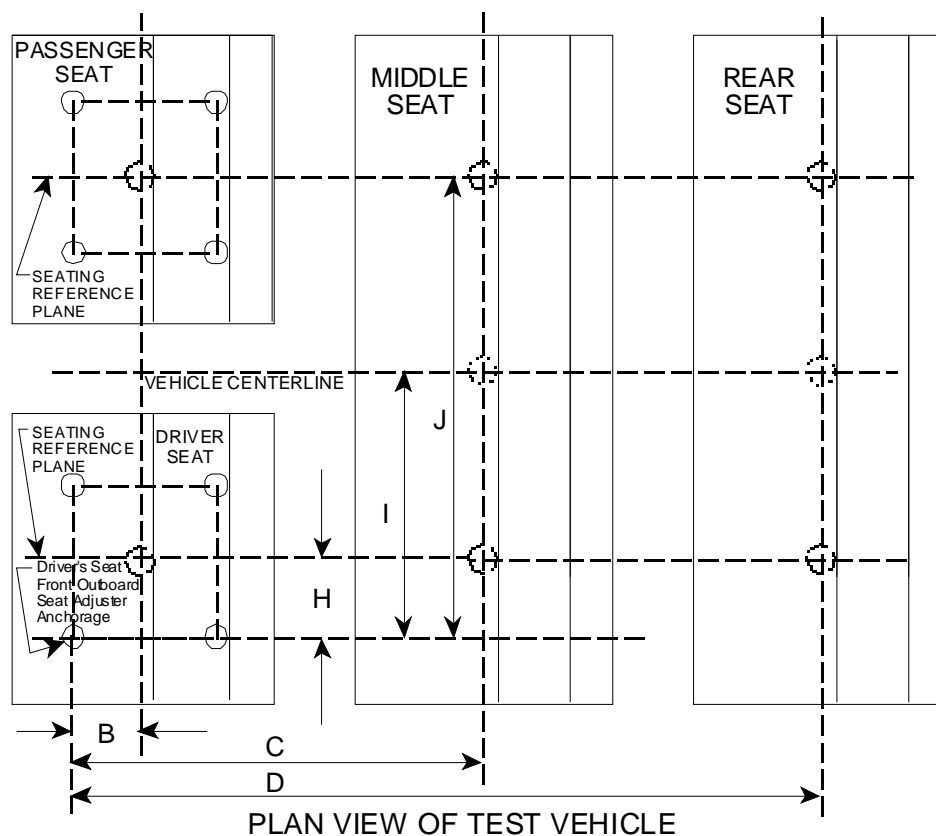
## SEATING REFERENCE POINT (SRP) AND TORSO ANGLE DATA

FMVSS No. 201, 202, 203, 207 & 210

(All dimensions in inches)

Model Year: \_\_\_\_\_ / Make: \_\_\_\_\_ / Model: \_\_\_\_\_

Body Style: \_\_\_\_\_ / Seat Style: \_\_\_\_\_



B	
C	
D	
H*	
I*	
J*	

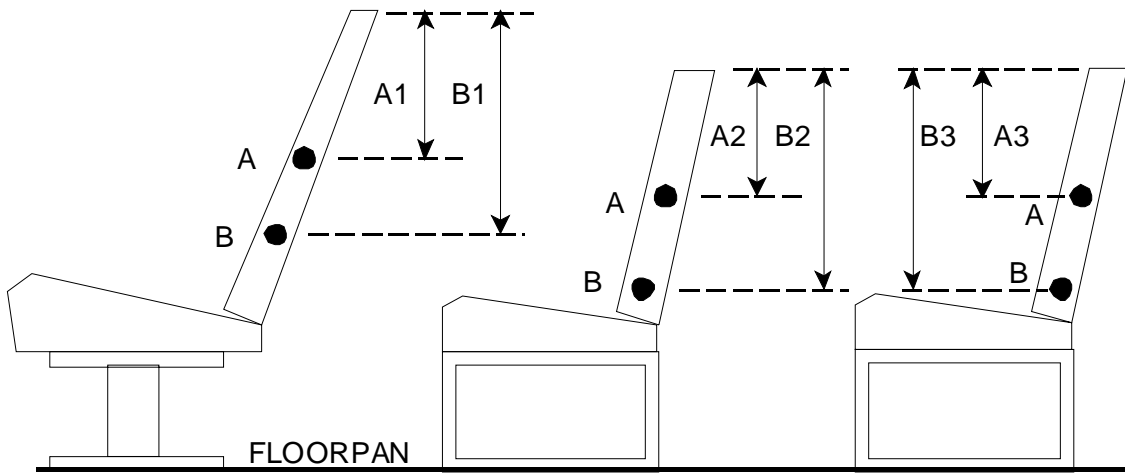
\* Provide all dimensions needed to locate SRP.

### TEST VEHICLE SEAT INFORMATION

FMVSS No. 201, 202, 203, 207 & 210  
(All dimensions in inches)

Model Year: \_\_\_\_\_ / Make: \_\_\_\_\_ / Model: \_\_\_\_\_

Body Style: \_\_\_\_\_ / Seat Style: \_\_\_\_\_



LEFT SIDE VIEW OF VEHICLE

Note: A: CG of Seat Back  
B: CG of total seating system

A1			FRONT	BACK
B1		Weight of Hinged or Folding portion of seat		
A2		Weight of Total Seat System		
B2		Angle of Seat Back		
A3		REMARKS:		
B3				