

**TP-116-04**  
**April 22, 2005**

**U.S. DEPARTMENT OF TRANSPORTATION**

**NATIONAL HIGHWAY TRAFFIC SAFETY ADMINISTRATION**

**LABORATORY TEST PROCEDURE**

**FOR**

**FMVSS 116**

**Motor Vehicle Brake Fluids**



**ENFORCEMENT**  
**Office of Vehicle Safety Compliance**  
**Room 6115, NVS-222**  
**400 Seventh Street, SW**  
**Washington, DC 20590**

**OVSC LABORATORY TEST PROCEDURE NO. 116**

## TABLE OF CONTENTS

	<b>PAGE</b>
1. PURPOSE AND APPLICATION.....	1
2. GENERAL REQUIREMENTS.....	1
3. SECURITY .....	2
4. GOOD HOUSEKEEPING.....	2
5. TEST SCHEDULING AND MONITORING .....	3
6. TEST DATA DISPOSITION.....	3
7. GOVERNMENT FURNISHED PROPERTY (GFP).....	3
8. CALIBRATION OF TEST INSTRUMENTS.....	3
9. PHOTOGRAPHIC DOCUMENTATION.....	4
10. DEFINITIONS.....	5
11. PRETEST REQUIREMENTS .....	6
12. COMPLIANCE TEST EXECUTION.....	7
13. POST TEST REQUIREMENTS.....	35
14. REPORTS.....	35
14.1. MONTHLY STATUS REPORTS.....	35
14.2. APPARENT TEST FAILURE.....	35
14.3. FINAL TEST REPORTS.....	35
14.3.1. COPIES.....	35
14.3.2. REQUIREMENTS.....	36
14.3.3. FIRST THREE PAGES.....	36
14.3.4. TABLE OF CONTENTS.....	42
15. DATA SHEETS.....	43
16. FORMS .....	50

## REVISION CONTROL LOG

FOR OVSC LABORATORY  
TEST PROCEDURES

TP-116  
Motor Vehicle Brake Fluids

TEST PROCEDURE		FMVSS 116		DESCRIPTION
REV. No.	DATE	AMENDMENT	EFFECTIVE DATE	
00				Original Issue
01				
02				
03				
04	April 22, 2005	69 FR 67654	Jan. 18, 2005 Nov. 21, 2005	Deletion of evaporation test. Modification of corrosion test.
05				
06				
07				
08				
09				
10				

## 1. PURPOSE AND APPLICATION

The Office of Vehicle Safety Compliance (OVSC) provides contracted laboratories with Laboratory Test Procedures (TPs) which serve as guidelines for obtaining compliance test data. The data are used to determine if a specific vehicle or item of motor vehicle equipment meets the minimum performance requirements of the subject Federal Motor Vehicle Safety Standard (FMVSS). The purpose of the OVSC Laboratory Test Procedures is to present a uniform testing and data recording format, and provide suggestions for the use of specific equipment and procedures. Any contractor interpreting any part of an OVSC Laboratory Test Procedure to be in conflict with a Federal Motor Vehicle Safety Standard or observing any deficiencies in a Laboratory Test Procedure is required to advise the Contracting Officer's Technical Representative (COTR) and resolve the discrepancy prior to the start of compliance testing.

Contractors are required to submit a detailed test procedure to the COTR before initiating the compliance test program. The procedure must include a step-by-step description of the methodology to be used.

The OVSC Laboratory Test Procedures are not intended to limit or restrain a contractor from developing or utilizing any testing techniques or equipment which will assist in procuring the required compliance test data.

### **NOTE:**

**The OVSC Laboratory Test Procedures, prepared for use by independent laboratories under contract to conduct compliance tests for the OVSC, are not intended to limit the requirements of the applicable FMVSS(s). In some cases, the OVSC Laboratory Test Procedures do not include all of the various FMVSS minimum performance requirements. Sometimes, recognizing applicable test tolerances, the Test Procedures specify test conditions which are less severe than the minimum requirements of the standards themselves. Therefore, compliance of a vehicle or item of motor vehicle equipment is not necessarily guaranteed if the manufacturer limits certification tests to those described in the OVSC Laboratory Test Procedures.**

## 2. GENERAL REQUIREMENTS

FMVSS 116 specifies requirements for fluids for use in hydraulic brake systems of motor vehicles, containers for these fluids, and labeling of the containers.

The purpose of FMVSS 116 is to reduce failures in the hydraulic braking systems of motor vehicles which may occur because of the manufacture or use of improper or contaminated fluid.

The standard applies to all fluid for use in hydraulic brake systems of passenger cars, multipurpose passenger vehicles, trucks, buses, trailers, and motorcycles which are equipped with a hydraulic brake system. The fluid for use in the

## 2. GENERAL REQUIREMENTS....Continued

referenced vehicle shall have been manufactured and packaged in conformity with the requirements of FMVSS 116. The tests which are contained within this test procedure are used to determine compliance with the specified requirements. These tests are as follows:

- A. Equilibrium Reflux Boiling Point (ERBP)
- B. Wet ERBP
- C. Kinematic Viscosity
- D. Ph Value
- E. Fluid Stability
- F. Corrosion
- G. Fluidity and Appearance (Low Temperature)
- H. Water Tolerance
- I. Compatibility
- J. Resistance to Oxidation
- K. Effect on SBR Cups
- L. Stroking Properties (This test is only conducted when specifically specified in the contract)
- M. Container Information

## 3. SECURITY

The contractor shall provide appropriate security measures to protect the OVSC test equipment from unauthorized personnel during the entire compliance testing program. The contractor is financially responsible for any acts of theft and/or vandalism which occur during the storage of test equipment. Any security problems which arise shall be reported by telephone to the Industrial Property Manager (IPM), Office of Contracts and Procurement, within two working days after the incident. A letter containing specific details of the security problem will be sent to the IPM (with copy to the COTR) within 48 hours.

The contractor shall protect and segregate the data that evolves from compliance testing before and after each test. No information concerning the safety compliance testing program shall be released to anyone except the COTR, unless specifically authorized by the COTR, the COTR's Branch or Division Chief, or by the Contracting Officer.

**NO INDIVIDUALS, OTHER THAN CONTRACTOR PERSONNEL, SHALL BE ALLOWED TO WITNESS ANY COMPLIANCE TEST UNLESS SPECIFICALLY AUTHORIZED BY THE COTR.**

## 4. GOOD HOUSEKEEPING

Contractors shall maintain the entire equipment compliance testing area, test fixtures and instrumentation in a neat and clean condition with test instruments arranged in an orderly manner consistent with good test laboratory housekeeping

#### **4. GOOD HOUSEKEEPING....Continued**

practices.

#### **5. TEST SCHEDULING AND MONITORING**

The contractor shall submit a test schedule to the COTR prior to testing. Tests shall be completed as required in the contract. All testing shall be coordinated to allow monitoring by the COTR.

#### **6. TEST DATA DISPOSITION**

The contractor shall make all equipment preliminary compliance test data available to the COTR on location within four hours after the test. Final test data, including digital printouts and computer generated plots (if applicable), shall be furnished to the COTR in accordance with the contract schedule.

All backup data sheets, strip charts, recordings, plots, technicians notes, etc., shall be retained by the contractor for a minimum of five years after conclusion of each delivery order, purchase order, etc. The COTR shall direct final disposition at that time.

#### **7. GOVERNMENT FURNISHED PROPERTY (GFP) AND TEST SAMPLES**

##### **TEST SAMPLE IDENTIFICATION AND STORAGE**

Upon receipt at the laboratory, the items to be tested shall be assigned laboratory serial numbers.

EXAMPLE:

Brand X Heavy Duty Brake Fluid; Lab Group #00X

An inventory shall be made of the number, name and condition of samples received.

The test samples shall be stored in a dry and clean area specifically designated by the Laboratory Project Manager.

#### **8. CALIBRATION OF TEST INSTRUMENTS**

Before the contractor initiates the safety compliance test program, a test instrumentation calibration system will be implemented and maintained in accordance with established calibration practices. Guidelines for setting up and maintaining such calibration systems are described in MIL-C-45662A, "Calibration System Requirements". The calibration system shall be set up and maintained as follows:

## 8. CALIBRATION....Continued

- A. Standards for calibrating the measuring and test equipment will be stored and used under appropriate environmental conditions to assure their accuracy and stability.
- B. All measuring instruments and standards shall be calibrated by the contractor, or a commercial facility, against a higher order standard at periodic intervals NOT TO EXCEED TWELVE (12) MONTHS except for static types of measuring devices such as rulers, weights, etc., which shall be calibrated at periodic intervals not to exceed two years. Records, showing the calibration traceability to the National Institute of Standards and Technology (NIST), shall be maintained for all measuring and test equipment.
- C. All measuring and test equipment and measuring standards will be labeled with the following information:
  - (1) Date of calibration
  - (2) Date of next scheduled calibration
- D. A written calibration procedure shall be provided by the contractor which includes as a minimum the following information for all measurement and test equipment unless the calibration is performed by a licensed commercial facility.
  - (1) Type of equipment, manufacturer, model number, etc.
  - (2) Measurement range
  - (3) Accuracy
  - (4) Calibration interval
  - (5) Type of standard used to calibrate the equipment (calibration traceability of the standard must be evident)
- E. Records of calibration for all test instrumentation shall be kept by the contractor in a manner which assures the maintenance of established calibration schedules. All such records shall be readily available for inspection when requested by the COTR. The calibration system will need the acceptance of the COTR before the test program commences.

## 9. PHOTOGRAPHIC DOCUMENTATION

Each final test report shall include glossy photographs (minimum size 4 x 6 inches) of the test setup used for each phase of testing. One set of original photographs shall be included in the final test report which will be used for optical scanning by the OVSC. Other copies of the final test report may contain multilith or other suitable photographic copies of the original photographs.

## 10. DEFINITIONS

### **BLISTER**

Cavity or sac on the surface of a brake cup.

### **BRAKE FLUID**

Liquid designed for use in a motor vehicle hydraulic brake system in which it will contact elastomeric components made of styrene and butadiene rubber (SBR), ethylene and propylene rubber (EPR), polychloroprene (CR) brake hose inner tube stock or natural rubber (NR).

### **CHIPPING**

Condition in which small pieces are missing from the outer surface of a brake cup.

### **DUPLICATE SAMPLES**

Two samples of brake fluid taken from a single packaged lot and tested simultaneously.

### **HYDRAULIC SYSTEM MINERAL OIL**

Mineral-oil-based fluid designed for use in motor vehicle hydraulic brake systems in which the fluid is not in contact with components made of SBR, EPR or NR.

### **PACKAGED LOT**

That quantity of brake fluid shipped by the manufacturer to the packager in a single container, or that quantity of brake fluid manufactured by a single plant run of 24 hours or less, through the same processing equipment and with no change in ingredients.

### **PACKAGER**

Person who fills containers with brake fluid that are distributed for retail sale.

### **SCUFFING**

Visible erosion of a portion of the outer surface of a brake cup.

### **SILICONE BASE BRAKE FLUID (SBBF)**

A brake fluid which consists of not less than 70 percent by weight of a diorgano polysiloxane.



**10. DEFINITIONS....Continued**

**SLOUGHING**

Degradation of a brake cup as evidenced by the presence of carbon black loosely held on the brake cup surface, such that a visible black streak is produced when the cup, with a 500 ∇ 10 gram dead weight on it, is drawn base down over a sheet of white bond paper placed on a firm flat surface.

**STICKINESS**

Condition on the surface of a brake cup such that fibers will be pulled from a wad of U.S.P. absorbent cotton when it is drawn across the surface.

**11. PRETEST REQUIREMENTS**

**IN-HOUSE TEST PROCEDURE**

Prior to conducting any compliance test, contractors are required to submit a detailed in-house compliance test procedure to the COTR which includes a step-by-step description of the methodology to be used. Written approval must be obtained from the COTR before initiating the compliance test program so that all parties are in agreement.

**TEST DATA LOSS**

A compliance test is not to be conducted unless all of the various test conditions specified in the applicable OVSC Laboratory Test Procedure have been met. Failure of a contractor to obtain the required test data and to maintain acceptable limits on test parameters in the manner outlined in the applicable OVSC Laboratory Test Procedure may require a retest at the expense of the contractor. The retest costs will include the cost of the replacement brake fluid and all costs associated with conducting the retest.

The Contracting Officer of NHTSA is the only NHTSA official authorized to notify the contractor that a retest is required. The retest shall be completed within two (2) weeks after receipt of notification by the Contracting Officer that a retest is required. If a retest is conducted, no test report is required for the original test.

**TEST CONDITIONS**

Unless otherwise specified, all tests and measurements shall be conducted under the following environmental conditions:

- A. Temperature 75EF ∇ 15EF
- B. Relative Humidity 50% ∇ 10%
- C. Atmospheric Pressure 28 to 32 inches of mercury

## 11. PRETEST....Continued

Continuous recording of environmental temperature and relative humidity of the testing area shall be available during all tests. Test samples, unless otherwise specified, shall be stabilized at test room conditions for a period of at least 24 hours immediately prior to testing.

### TEST PERSONNEL PERFORMANCE

Personnel supervising and/or performing the compliance test program shall be thoroughly familiar with the requirements, test conditions, equipment for the test to be conducted, and safety requirements.

### RECORDING OF TEST DATA

Environmental data and test data shall be recorded on permanent strip charts, circular recording charts, or other acceptable print-out media. Where permanent trace recording is not required, data will be recorded on standard report forms. Changes or corrections shall be made by drawing a line through the original entry, which must still remain legible, and adding the change alongside.

Test data will be submitted on the standard form Test Data Sheets specified for use in the final test report and shown in Section 15. Data will be typed before the sheets are submitted. If stroking test is conducted, Data Sheet No. 3 shall be used.

## 12. COMPLIANCE TEST EXECUTION

### TEST QUANTITIES

The amount of brake fluid required for one complete test group is shown below:

TEST		QUANT.
6.1	Equilibrium Reflux Boiling Point (ERBP)	125 ml
6.2	Wet ERBP	205 ml
6.3	Kinematic Viscosity	120 ml
6.4	pH Value	55 ml
6.5	Fluid Stability	125 ml
6.6	Corrosion	1520 ml
6.7	Fluidity & Appearance (Low Temp.)	205 ml
6.8	Water Tolerance	105 ml
6.9	Compatibility	55 ml
6.10	Resistance to Oxidation	65 ml
6.11	Effect on SBR Cups	150 ml
6.12	Stroking Properties	3785 ml
6.13	Container Information	348 ml
	Reserve	2850 ml
	TOTAL	9713 ml (328 oz)

## 12. COMPLIANCE....Continued

### TEST REQUIREMENTS

The fluid samples shall meet specific requirements when tested in accordance with the procedures in FMVSS 116.

6.1 Equilibrium reflux boiling point. Determine the ERBP of a brake fluid by running duplicate samples according to the following procedure and averaging the results.

6.1.1 Summary of procedure. Sixty milliliters (ml.) of brake fluid are boiled under specified equilibrium conditions (reflux) at atmospheric pressure in a 100-ml. flask. The average temperature of the boiling fluid at the end of the reflux period, corrected for variations in barometric pressure if necessary, is the ERBP.

6.1.2 Apparatus. (See Figure 1) The test apparatus shall consist of— (a) Flask. (See Figure 2) A 100-ml. round-bottom, short-neck heat-resistant glass flask having a neck with a 19.38 standard taper, female groundglass joint and a side-entering tube, with an outside diameter of 10 millimeters (mm.), which centers the thermometer bulb in the flask 6.5 mm. from the bottom; (b) Condenser. A water-cooled, reflux, glass-tube type, condenser having a jacket 200 mm. in length, the bottom end of which has a 19.38 standard-taper, drip-tip, male ground-glass joint; (c) Boiling stones. Three clean, unused silicon carbide grains (approximately 2 mm. (0.08 inch) in diameter, grit No. 8); (d) Thermometer. Standardized calibrated partial immersion (76 mm.), solid stem, thermometers conforming to the requirements for an ASTM 2C or 2F, and an ASTM 3C or 3F thermometer; and (e) Heat source. Variable autotransformer-controlled heating mantle designed to fit the flask, or an electric heater with rheostat heat control.

6.1.3 Preparation of apparatus. (a) Thoroughly clean and dry all glassware. (b) Insert thermometer through the side tube until the tip of the bulb is 6.5 mm. (1.4 inch) from the bottom center of the flask. Seal with a short piece of natural rubber, EPDM, SBR, or butyl tubing. (c) Place  $60 \pm 1$  ml. of brake fluid and the silicon carbide grains into the flask. (d) Attach the flask to the condenser. When using a heating mantle, place the mantle under the flask and support it with a ring-clamp and laboratory-type stand, holding the entire assembly in place by a clamp. When using a rheostat-controlled heater, center a standard porcelain or hard asbestos refractory, having a diameter opening 32 to 38 mm., over the heating element and mount the flask so that direct heat is applied only through the opening in the refractory. Place the assembly in an area free from drafts or other types of sudden temperature changes. Connect the cooling water inlet and outlet tubes to the condenser. Turn on the cooling water. The water supply temperature shall not exceed 28 °C. (82.4 °F.) and the temperature rise through the condenser shall not exceed 2 °C. (3.6 °F.).

## 12. COMPLIANCE....Continued

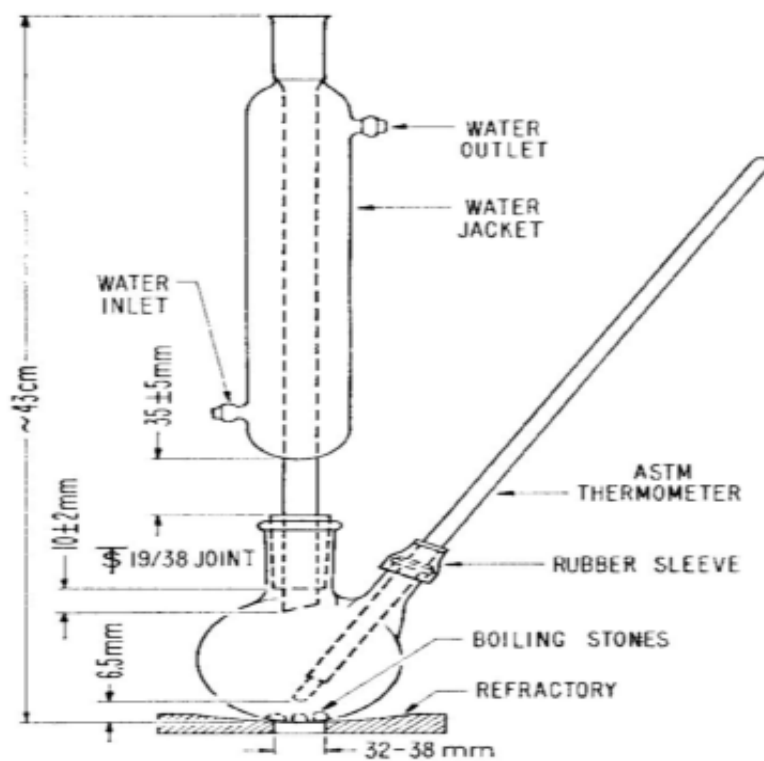


FIG. 1. BOILING POINT TEST APPARATUS

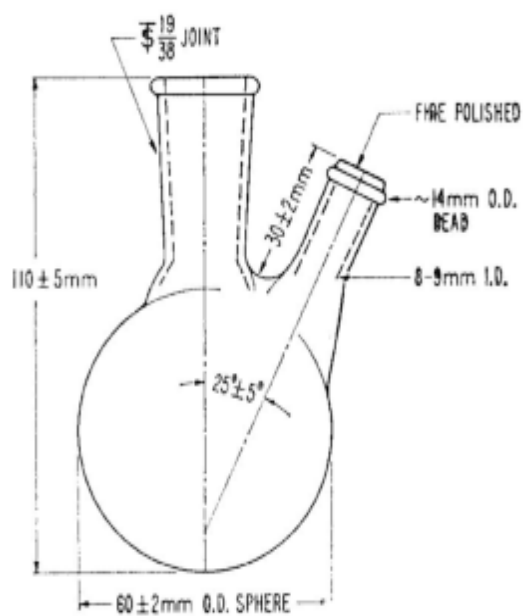


FIG. 2. DETAIL OF 100 ML SHORT-NECK FLASK

## 12. COMPLIANCE....Continued

6.1.4 Procedure. Apply heat to the flask so that within  $10 \pm 2$  minutes the fluid is refluxing in excess of 1 drop per second. The reflux rate shall not exceed 5 drops per second at any time. Immediately adjust the heating rate to obtain an equilibrium reflux rate of 1 to 2 drops per second over the next  $5 \pm 2$  minutes. Maintain this rate for an additional 2 minutes, taking four temperature readings at 30-second intervals. Record the average of these as the observed ERBP. If no reflux is evident when the fluid temperature reaches  $260\text{ }^{\circ}\text{C}$  ( $500\text{ }^{\circ}\text{F}$ ), discontinue heating and report ERBP as in excess of  $260\text{ }^{\circ}\text{C}$  ( $500\text{ }^{\circ}\text{F}$ ).

6.1.5 Calculation. (a) Thermometer inaccuracy. Correct the observed ERBP by applying any correction factor obtained in standardizing the thermometer. (b) Variation from standard barometric pressure. Apply the factor shown in Table I to calculate the barometric pressure correction to the ERBP.

(c) If the two corrected observed ERBP's agree within  $2\text{ }^{\circ}\text{C}$ . ( $4\text{ }^{\circ}\text{C}$ . for brake fluids having an ERBP over  $230\text{ }^{\circ}\text{C}$ ./ $446\text{ }^{\circ}\text{F}$ .) average the duplicate runs as the ERBP; otherwise, repeat the entire test, averaging the four corrected observed values to determine the original ERBP.

Table I – Correction for Barometric Pressure

Observed ERBP corrected for thermometer inaccuracy	Correction per 1mm difference in pressure <sup>a</sup>	
	$^{\circ}\text{C}$ .	$^{\circ}\text{F}$ .
100 $^{\circ}\text{C}$ . (212 $^{\circ}\text{F}$ .) to 190 $^{\circ}\text{C}$ . (374 $^{\circ}\text{F}$ .)	0.039	(0.07)
Over 190 $^{\circ}\text{C}$ . (374 $^{\circ}\text{F}$ .)	0.04	(0.08)

<sup>a</sup> To be added in case barometric pressure is below 760 mm.; to be subtracted in case barometric pressure is above 670 mm.

6.1.6 Pass/Fail Criteria. The ERBP shall not be less than the following value for the grade indicated: (a) DOT 3:  $205\text{ }^{\circ}\text{C}$ . ( $401\text{ }^{\circ}\text{F}$ .) (b) DOT 4:  $230\text{ }^{\circ}\text{C}$ . ( $446\text{ }^{\circ}\text{F}$ .) (c) DOT 5:  $260\text{ }^{\circ}\text{C}$ . ( $500\text{ }^{\circ}\text{F}$ .)

6.2 Wet ERBP. Determine the wet ERBP of a brake fluid by running duplicate samples according to the following procedure.

6.2.1. Summary of procedure. A 350 ml. sample of the brake fluid is humidified under controlled conditions; 350 ml. of SAE triethylene glycol monomethyl ether, brake fluid grade, referee material (TEGME) as described in appendix E of SAE Standard J1703 Nov. 83, "Motor Vehicle Brake Fluid," November 1983, is used to establish the end point for humidification. After humidification, the water content and ERBP of the brake fluid are determined.

6.2.2 Apparatus for humidification. (See Figure 3). Test apparatus shall consist of— (a) Glass jars. Four SAE RM-49 corrosion test jars or equivalent screwtop, straight-sided, round glass jars each having a capacity of about 475 ml. and approximate inner dimensions of 100 mm. in height by 75 mm. in diameter, with matching lids having new, clean inserts providing water-vapor-proof seals; (b) Desiccator and cover. Two bowlform glass desiccators, 250-mm. inside diameter, having matching tubulated

## 12. COMPLIANCE....Continued

covers fitted with No. 8 rubber stoppers; and (c) Desiccator plate. Two 230-mm. diameter, perforated porcelain desiccator plates, without feet, glazed on one side.

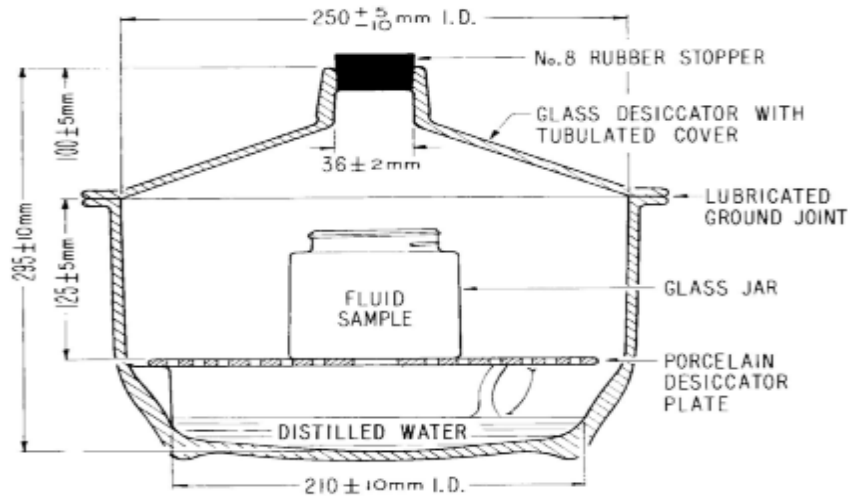


FIG. 3  
HUMIDIFICATION APPARATUS

6.2.3 Reagents and materials. (a) Distilled water, see S7.1. (b) SAE TEGME referee material.

6.2.4 Preparation of apparatus. Lubricate the ground-glass joint of the desiccator. Pour  $450 \pm 10$  ml. of distilled water into each desiccator and insert perforated porcelain desiccator plates. Place the desiccators in an oven with temperature controlled at  $50 \pm 1$  °C. ( $122 \pm 1.8$  °F.) throughout the humidification procedure.

6.2.5 Procedure. Pour  $350 \pm 5$  ml. of brake fluid into an open corrosion test jar. Prepare in the same manner a duplicate test fluid sample and two duplicate specimens of the SAE TEGME referee material ( $350 \pm 5$  ml. of TEGME in each jar). The water content of the SAE TEGME fluid is adjusted to  $0.50 \pm 0.05$  percent by weight at the start of the test in accordance with S7.2. Place one sample each of the test brake fluid and the prepared TEGME sample into the same desiccator. Repeat for the second sample of test brake fluid and TEGME in a second desiccator. Place the desiccators in the  $50$  °C. ( $122$  °F.) controlled oven and replace desiccator covers. At intervals, during oven humidification, remove the rubber stoppers in the tops of desiccators. Using a long needed hypodermic syringe, take a sample of not more than 2 ml. from each TEGME sample and determine its water content. Remove no more than 10 ml. of fluid from each SAE TEGME sample during the humidification procedure. When the water content of the SAE fluid reaches  $3.70 \pm 0.05$  percent by weight (average of the duplicates), remove the two test fluid specimens from their desiccators and promptly cap each jar tightly. Allow the sealed jars to cool for 60 to 90 minutes at  $23 \pm 5$  °C. ( $73.4 \pm 9$  °F.). Measure the water contents of the test fluid specimens in accordance

## 12. COMPLIANCE....Continued

with S7.2 and determine their ERBP's in accordance with S6.1. If the two ERBPs agree within 4 °C. (8 °F.), average them to determine the wet ERBP; otherwise repeat and average the four individual ERBPs as the wet ERBP of the brake fluid.

6.2.6 Pass/Fail Criteria. The wet ERBP shall not be less than the following value for the grade indicated: (a) DOT 3: 140 °C. (284 °F.). (b) DOT 4: 155 °C. (311 °F.). (c) DOT 5: 1 180 °C. (356 °F.).

6.3 Kinematic viscosities. Determine the kinematic viscosity of a brake fluid in mm<sup>2</sup>/s by the following procedure. Run duplicate samples at each of the specified temperatures, making two timed runs on each sample.

6.3.1 Summary of the procedure. The time is measured for a fixed volume of the brake fluid to flow through a calibrated glass capillary viscometer under an accurately reproducible head and at a closely controlled temperature. The kinematic viscosity is then calculated from the measured flow time and the calibration constant of the viscometer.

6.3.2 Apparatus. (a) Viscometers. Calibrated glass capillary- type viscometers, ASTM D2515– 66, "Standard Specification for Kinematic Glass Viscometers," measuring viscosity within the precision limits of S6.4.7. Use suspended level viscometers for viscosity measurements at low temperatures. Use Cannon-Fenske Routine or other modified Ostwald viscometers at ambient temperatures and above. (b) Viscometer holders and frames. Mount a viscometer in the constant temperature bath so that the mounting tube is held within 1° of the vertical. (c) Viscometer bath. A transparent liquid bath of sufficient depth such that at no time during the measurement will any portion of the sample in the viscometer be less than 2 cm. below the surface or less than 2 cm. above the bottom. The bath shall be cylindrical in shape, with turbulent agitation sufficient to meet the temperature control requirements. For measurements within 15° to 100 °C. (60° to 212 °F.) the temperature of the bath medium shall not vary by more than 0.01 °C. (0.02 °F.) over the length of the viscometers, or between the positions of the viscometers, or at the locations of the thermometers. Outside this range, the variation shall not exceed 0.03 °C. (0.05 °F.). (d) Thermometers. Liquid-in-Glass Kinematic Viscosity Test Thermometers, covering the range of test temperatures indicated in Table II and conforming to ASTM E1–68, "Specifications for ASTM Thermometers," and in the IP requirements for IP Standard Thermometers. Standardize before use (see S6.3.3(b)). Use two standardized thermometers in the bath.

Table II – Kinematic Viscosity Thermometers

		For tests at		Subdivisions		Thermometer Number	
°C.	°F.	°C.	°F.	°C.	°F.	ASTM	IP
Minus 55.3 to minus 52.5	Minus 67.5 to minus 62.5	Minus 55	Minus 67	0.05	0.1	74 F	69 F. or C.
Minus 41.4 to minus 38.6	Minus 42.5 to minus 37.5	Minus 40	Minus 40	0.05	0.1	73 F	68 F. or C.
98.6 to 101.4	207.5 to 212.5	100	212	0.05	0.1	30 F	32 F. or C.

## 12. COMPLIANCE....Continued

(e) Timing device. Stop watch or other timing device graduated in divisions representing not more than 0.2 second, with an accuracy of at least  $\pm 0.05$  percent when tested over intervals of 15 minutes. Electrical timing devices may be used when the current frequency is controlled to an accuracy of 0.01 percent or better.

6.3.3 Standardization. (a) Viscometers. Use viscometers calibrated in accordance with appendix 1 of ASTM D445–65, “Viscosity of Transparent and Opaque Liquids (Kinematic and Dynamic Viscosities).” The calibration constant,  $C$ , is dependent upon the gravitational acceleration at the place of calibration. This must, therefore, be supplied by the standardization laboratory together with the instrument constant. Where the acceleration of gravity,  $g$ , in the two locations differs by more than 0.1 percent, correct the calibration constant as follows:

$$C_2 = (g_2/g_1) * C_1$$

where the subscripts 1 and 2 indicate respectively the standardization laboratory and the testing laboratory. (b) Thermometers. Check liquid-in-glass thermometers to the nearest 0.01 °C. (0.02 °F.) by direct comparison with a standardized thermometer. Kinematic Viscosity Test Thermometers shall be standardized at “total immersion.” The ice point of standardized thermometers shall be determined before use and the official corrections shall be adjusted to conform to the changes in ice points. (See ASTM E77–66, “Verification and Calibration of Liquid-in-Glass Thermometers.”) (c) Timers. Time signals are broadcast by the National Bureau of Standards, Station WWV, Washington, DC at 2.5, 5, 10, 15, 20, 25, 30, and 35 Mc/sec (MHz). Time signals are also broadcast by Station CHU from Ottawa, Canada, at 3.330, 7.335, and 14.670 Mc/sec, and Station MSF at Rugby, United Kingdom, at 2.5, 5, and 10 Mc/sec.

6.3.4 Procedure. (a) Set and maintain the bath at the appropriate test temperature (see S5.1.3) within the limits specified in S6.3.2(c). Apply the necessary corrections, if any, to all thermometer readings. (b) Select a clean, dry, calibrated viscometer giving a flow time not less than its specified minimum, or 200 seconds, whichever is the greater. (c) Charge the viscometer in the manner used when the instrument was calibrated. Do not filter or dry the brake fluid, but protect it from contamination by dirt and moisture during filling and measurements. (1) Charge the suspended level viscometers by tilting about 30° from the vertical and pouring sufficient brake fluid through the fill tube into the lower reservoir so that when the viscometer is returned to vertical position the meniscus is between the fill marks. For measurements below 0 °C. (32 °F.), before placing the filled viscometer into the constant temperature bath, draw the sample into the working capillary and timing bulb and insert small rubber stoppers to suspend the fluid in this position, to prevent accumulation of water condensate on the walls of the critical portions of the viscometer. Alternatively, fit loosely packed drying tubes into the open ends of the viscometer to prevent water condensation, but do not restrict the flow of the sample under test by the pressures created in the instrument. (2) If a Cannon-Fenske Routine viscometer is used, charge by inverting and immersing the smaller arm into the brake fluid and applying vacuum to the larger arm. Fill the tube to the upper timing mark, and return the viscometer to an upright position. (d) Mount the viscometer in the bath in a true vertical position (see S6.3.2(b)). (e) The viscometer shall remain in the bath until it reaches the test temperature. (f) At temperatures below 0 °C. (32 °F.)



## 12. COMPLIANCE....Continued

conduct an untimed preliminary run by allowing the brake fluid to drain through the capillary into the lower reservoir after the test temperature has been established. (g) Adjust the head level of the brake fluid to a position in the capillary arm about 5 mm. above the first timing mark. (h) With brake fluid flowing freely measure to within 0.2 second the time required for the meniscus to pass from the first timing mark to the second. If this flow time is less than the minimum specified for the viscometer, or 200 seconds, whichever is greater, repeat using a viscometer with a capillary of smaller diameter. (i) Repeat S6.3.4 (g) and (h). If the two timed runs do not agree within 0.2 percent, reject and repeat using a fresh sample of brake fluid.

6.3.5 Cleaning the viscometers. (a) Periodically clean the instrument with chromic acid to remove organic deposits. Rinse thoroughly with distilled water and acetone, and dry with clean dry air. (b) Between successive samples rinse the viscometer with ethanol (isopropanol when testing DOT 5 fluids) followed by an acetone or ether rinse. Pass a slow stream of filtered dry air through the viscometer until the last trace of solvent is removed.

6.3.6 Calculation. (a) The following viscometers have a fixed volume charged at ambient temperature, and as a consequence  $C$  varies with test temperature: Cannon-Fenske Routine, Pinkevitch, Cannon-Manning Semi- Micro, and Cannon Fenske Opaque. To calculate  $C$  at test temperatures other than the calibration temperature for these viscometers, see ASTM D2515–66, “Kinematic Glass Viscometers” or follow instructions given on the manufacturer’s certificate of calibration. (b) Average the four timed runs on the duplicate samples to determine the kinematic viscosities.

6.3.7 Precision (at 95 percent confidence level). (a) Repeatability. If results on duplicate samples by the same operator differ by more than 1 percent of their mean, repeat the tests.

6.3.8. Pass/Fail Criteria. The kinematic viscosities in square millimeters per second at stated temperatures shall be neither less than 1.5 mm<sup>2</sup>/s at 100 °C. (212 °F.) nor more than the following maximum value for the grade indicated: (a) DOT 3: 1,500 mm<sup>2</sup>/s at minus 40 °C. (minus 40 °F.). (b) DOT 4: 1,800 mm<sup>2</sup>/s at minus 40 °C. (minus 40 °F.). (c) DOT 5: 900 mm<sup>2</sup>/s at minus 40 °C. (minus 40 °F.).

6.4 pH value. Determine the pH value of a brake fluid by running one sample according to the following procedure.

6.4.1 Summary of the procedure. Brake fluid is diluted with an equal volume of an ethanol-water solution. The pH of the resultant mixture is measured with a prescribed pH meter assembly at 23 °C. (73.4 °F.).

6.4.2 Apparatus. The pH assembly consists of the pH meter, glass electrode, and calomel electrode, as specified in Appendices A1.1, A1.2, and A1.3 of ASTM D 1121–67, “Standard Method of Test for Reserve Alkalinity of Engine Antifreezes and Antirusts.” The glass electrode is a full range type (pH 0–14), with low sodium error.

6.4.3 Reagents. Reagent grade chemicals conforming to the specifications of the

## 12. COMPLIANCE....Continued

Committee on Analytical Reagents of the American Chemical Society. (a) Distilled water. Distilled water (S7.1) shall be boiled for about 15 minutes to remove carbon dioxide, and protected with a soda-lime tube or its equivalent while cooling and in storage. (Take precautions to prevent contamination by the materials used for protection against carbon dioxide.) The pH of the boiled distilled water shall be between 6.2 and 7.2 at 25 °C. (77 °F.). (b) Standard buffer solutions. Prepare buffer solutions for calibrating the pH meter and electrode pair from salts sold specifically for use, either singly or in combination, as pH standards. Dry salts for 1 hour at 110 °C. (230 °F.) before use except for borax which shall be used as the decahydrate. Store solutions with pH less than 9.5 in bottles of chemically resistant glass or polyethylene. Store the alkaline phosphate solution in a glass bottle coated inside with paraffin. Do not use a standard with an age exceeding three months. (1) Potassium hydrogen phthalate buffer solution (0.05 M, pH=4.01 at 25 °C. (77 °F.)). Dissolve 10.21 g. of potassium hydrogen phthalate ( $\text{KHC}_8\text{H}_4\text{O}_4$ ) in distilled water. Dilute to 1 liter. (2) Neutral phosphate buffer solution (0.025 M with respect to each phosphate salt, pH=6.86 at 25 °C. (77 °F.)). Dissolve 3.40 g. of potassium dihydrogen phosphate ( $\text{KH}_2\text{PO}_4$ ) and 3.55 g. of anhydrous disodium hydrogen phosphate ( $\text{Na}_2\text{HPO}_4$ ) in distilled water. (3) Borax buffer solution (0.01 M, pH=9.18 at 25 °C. (77 °F.)). Dissolve 3.81 g. of disodium tetraborate decahydrate ( $\text{Na}_2\text{B}_4\text{O}_7 \cdot 10\text{H}_2\text{O}$ ) in distilled water, and dilute to 1 liter. Stopper the bottle except when actually in use. (4) Alkaline phosphate buffer solution (0.01 M trisodium phosphate, pH=11.72 at 25 °C. (77 °F.)). Dissolve 1.42 g. of anhydrous disodium hydrogen phosphate ( $\text{Na}_2\text{HPO}_4$ ) in 100 ml. of a 0.1 M carbonate-free solution of sodium hydroxide. Dilute to 1 liter with distilled water. (5) Potassium chloride electrolyte. Prepare a saturated solution of potassium chloride (KCl) in distilled water. (c) Ethanol-water mixture. To 80 parts by volume of ethanol (S7.3) add 20 parts by volume of distilled water. Adjust the pH of the mixture to  $7 \pm 0.1$  using 0.1 N sodium hydroxide (NaOH) solution. If more than 4 ml. of NaOH solution per liter of mixture is required for neutralization, discard the mixture.

6.4.4 Preparation of electrode system. (a) Maintenance of electrodes. Clean the glass electrode before using by immersing in cold chromic-acid cleaning solution. Drain the calomel electrode and fill with KCl electrolyte, keeping level above that of the mixture at all times. When not in use, immerse the lower halves of the electrodes in distilled water, and do not immerse in the mixture for any appreciable period of time between determinations. (b) Preparation of electrodes. Condition new glass electrodes and those that have been stored dry as recommended by the manufacturer. Before and after using, wipe the glass electrode thoroughly with a clean cloth, or a soft absorbent tissue, and rinse with distilled water. Before each pH determination, soak the prepared electrode in distilled water for at least 2 minutes. Immediately before use, remove any excess water from the tips of the electrode.

6.4.5 Standardization of the pH assembly and testing of the electrodes. (a) Immediately before use, standardize the pH assembly with a standard buffer solution. Then use a second standard buffer solution to check the linearity of the response of the electrodes at different pH values, and to detect a faulty glass electrode or incorrect temperature compensation. The two buffer solutions bracket the anticipated pH value of the test brake fluid. (b) Allow instrument to warm up, and adjust according to the manufacturer's instructions. Immerse the tips of the electrodes in a standard buffer solution and allow

## 12. COMPLIANCE....Continued

the temperature of the buffer solution and the electrodes to equalize. Set the temperature knob at the temperature of the buffer solution. Adjust the standardization or asymmetry potential control until the meter registers a scale reading, in pH units, equal to the known pH of the standardizing buffer solution. (c) Rinse the electrodes with distilled water and remove excess water from the tips. Immerse the electrodes in a second standard buffer solution. The reading of the meter shall agree with the known pH of the second standard buffer solution within  $\pm 0.05$  unit without changing the setting of the standardization or asymmetry potential control. (d) A faulty electrode is indicated by failure to obtain a correct value for the pH of the second standard buffer solution after the meter has been standardized with the first.

6.4.6 Procedure. To  $50 \pm 1$  ml. of the test brake fluid add  $50 \pm 1$  ml. of the ethanol- water (6.4.3(c)) and mix thoroughly. Immerse the electrodes in the mixture. Allow the system to come to equilibrium, readjust the temperature compensation if necessary, and take the pH reading.

6.4.6 Pass/Fail Criteria. The pH value shall not be less than 7.0 nor more than 11.5 (except DOT 5 SBBF).

6.5 Fluid stability. Evaluate the heat and chemical stability of a brake fluid by the following procedure, running duplicate samples for each test and averaging the results.

6.5.1 Summary of the procedure. The degradation of the brake fluid at elevated temperature, alone or in a mixture with a reference fluid, is evaluated by determining the change in boiling point after a period of heating under reflux conditions.

6.5.2 Apparatus. Use the apparatus and preparation specified in S6.1.2 and S6.1.3.

6.5.3 High temperature stability.

6.5.3.1 Procedure. (a) Heat a new  $60 \pm 1$  ml. sample of the brake fluid to  $185 \pm 2$  °C. ( $365 \pm 3.6$  °F.). Hold at this temperature for  $120 \pm 5$  minutes. Bring to a reflux rate in excess of 1 drop per second within 5 minutes. The reflux rate should not exceed 5 drops per second at any time. Over the next  $5 \pm 2$  minutes adjust the heating rate to obtain an equilibrium reflux rate of 1 to 2 drops per second. Maintain this rate for an additional 2 minutes, taking four temperature readings at 30-second intervals. Average these as the observed ERBP. If no reflux is evident when the fluid temperature reaches 260 °C. (500 °F), discontinue heating and report ERBP as in excess of 260 °C. (500 °F.).

6.5.3.2 Calculation. Correct the observed ERBP for thermometer and barometric pressure factors according to S6.1.5 (a) and (b). Average the corrected ERBP's of the duplicate samples. The difference between this average and the original ERBP obtained in S6.1 is the change in ERBP of the fluid.

6.5.4 Chemical stability.

6.5.4.1 Materials. SAE RM-66-04 Compatibility Fluid as described in appendix B of

## 12. COMPLIANCE....Continued

SAE Standard J1703 JAN 1995, "Motor Vehicle Brake Fluid." (SAE RM-66-03 Compatibility Fluid as described in appendix A of SAE Standard J1703 Nov83, "Motor Vehicle Brake Fluid," November 1983, may be used in place of SAE RM-66-04 until January 1, 1995.)

6.5.4.2 Procedure. (a) Mix  $30 \pm 1$  ml. of the brake fluid with  $30 \pm 1$  ml. of SAE RM-66-04 Compatibility Fluid in a boiling point flask (S6.1.2(a)). Determine the initial ERBP of the mixture by applying heat to the flask so that the fluid is refluxing in  $10 \pm 2$  minutes at a rate in excess of 1 drop per second, but not more than 5 drops per second. Note the maximum fluid temperature observed during the first minute after the fluid begins refluxing at a rate in excess of 1 drop per second. Over the next  $15 \pm 1$  minutes, adjust and maintain the reflux rate at 1 to 2 drops per second. Maintain this rate for an additional 2 minutes, recording the average value of four temperature readings taken at 30 second intervals as the final ERBP. (b) Thermometer and barometric corrections are not required.

6.5.4.3 Calculation. The difference between the initial ERBP and the final average temperature is the change in temperature of the refluxing mixture. Average the results of the duplicates to the nearest  $0.5\text{ }^{\circ}\text{C}$  ( $1.0\text{ }^{\circ}\text{F}$ ).

6.5.5 Pass/Fail Criteria.

6.5.5.1 High-temperature stability. When brake fluid is tested according to S6.5.3 the ERBP shall not change by more than  $3\text{ }^{\circ}\text{C}$ . ( $5.4\text{ }^{\circ}\text{F}$ .) plus  $0.05^{\circ}$  for each degree that the ERBP of the fluid exceeds  $225\text{ }^{\circ}\text{C}$ . ( $437\text{ }^{\circ}\text{F}$ ).

6.5.5.2 Chemical stability. When brake fluid, except DOT 5 SBBF, is tested according to S6.5.4, the change in temperature of the refluxing fluid mixture shall not exceed  $3.0\text{ }^{\circ}\text{C}$  ( $5.4\text{ }^{\circ}\text{F}$ .) plus  $0.05^{\circ}$  for each degree that the ERBP of the fluid exceeds  $225\text{ }^{\circ}\text{C}$  ( $437\text{ }^{\circ}\text{F}$ ).

6.6 Corrosion. Evaluate the corrosiveness of a brake fluid by running duplicate samples according to the following procedure.

6.6.1 Summary of the procedure. Six specified metal corrosion test strips are polished, cleaned, and weighed, then assembled as described. Assembly is placed on a standard wheel cylinder cup in a corrosion test jar, immersed in the water-wet brake fluid, capped and placed in an oven at  $100\text{ }^{\circ}\text{C}$ . ( $212\text{ }^{\circ}\text{F}$ .) for 120 hours. Upon removal and cooling, the strips, fluid, and cups are examined and tested.

6.6.2 Equipment. (a) Balance. An analytical balance having a minimum capacity of 50 grams and capable of weighing to the nearest 0.1 mg. (b) Desiccators. Desiccators containing silica gel or other suitable desiccant. (c) Oven. Gravity convection oven capable of maintaining the desired set point within  $2\text{ }^{\circ}\text{C}$ . ( $3.6\text{ }^{\circ}\text{F}$ .). (d) Micrometer. A machinist's micrometer 25 to 50 mm. (1 to 2 inches) capacity, or an optical comparator, capable of measuring the diameter of the SBR wheel cylinder (WC) cups to the nearest 0.02 mm. (0.001 inch).

6.6.3 Materials. (a) Corrosion test strips. Two sets of strips from each of the metals

## 12. COMPLIANCE....Continued

listed in appendix C of SAE Standard J1703b. Each strip shall be approximately 8 cm. long, 1.3 cm. wide, not more than 0.6 cm. thick, and have a surface area of  $25 \pm 5$  sq. cm. and a hole 4 to 5 mm. (0.16 to 0.20 inch) in diameter on the centerline about 6 mm. from one end. The hole shall be clean and free from burrs. Tinned iron strips shall be unused. Other strips, if used, shall not be employed if they cannot be polished to a high finish. (b) SBR cups. Two unused standard SAE SBR wheel cylinder (WC) cups, as specified in S7.6. (c) Corrosion test jars and lids. Two screw-top straight-sided round glass jars, each having a capacity of approximately 475 ml. and inner dimensions of approximately 100 mm. in height and 75 mm. in diameter, and a tinned steel lid (no insert or organic coating) vented with a hole  $0.8 \pm 0.1$  mm. ( $0.031 \pm 0.004$  inch) in diameter (No. 68 drill). (d) Machine screws and nuts. Clean, rust and oil-free, uncoated mild steel round or fillister head machine screws, size 6 or 8–32 UNC–Class 2A, fiveeighths or three-fourths inch long (or equivalent metric sizes), and matching uncoated nuts. (e) Supplies for polishing strips. Waterproof silicon carbide paper, grit No. 320 A and grit 1200; lint-free polishing cloth. (f) Distilled water as specified in S7.1. (g) Ethanol as specified in S7.3. (h) Isopropanol as specified in S7.7.

6.6.4 Preparation. (a) Corrosion test strips. Except for the tinned iron strips, abrade corrosion test strips on all surface areas with 320A silicon carbide paper wet with ethanol (isopropanol when testing DOT 5 SBBF fluids) until all surface scratches, cuts and pits visible to an observer having corrected visual acuity of 20/40 (Snellen ratio) at a distance of 300 mm (11.8 inches) are removed. Use a new piece of paper for each different type of metal. Except for the tinned iron strips, further abrade the test strips on all surface areas with 1200 silicon carbide paper wet with ethanol (isopropanol when testing DOT 5 SBBF fluids), again using a new piece of paper for each different type of metal. Wash all strips, including the tinned iron and the assembly hardware, with ethanol (isopropanol when testing DOT 5 SBBF fluids); dry the strips and assembly hardware with a clean lint free cloth or use filtered compressed air and place the strips and hardware in a desiccator containing silica gel or other suitable desiccant and maintained at  $23 \pm 5$  °C. ( $73.4 \pm 9$  °F.), for at least 1 hour. Handle the strips with forceps after polishing. Weigh and record the weight of each strip to the nearest 0.1 mg. Assemble the strips on a clean dry machine screw, with matching plain nut, in the order of tinned iron, steel, aluminum, cast iron, brass, and copper. Bend the strips, other than the cast iron, so that there is a separation of  $3 \pm 1.2$  mm. ( $1.8 \pm 1.64$  inch) between adjacent strips for a distance of about 5 cm. (2 inches) from the free end of the strips. (See Figure 4.) Tighten the screw on each test strip assembly so that the strips are in electrolytic contact, and can be lifted by either of the outer strips (tinned iron or copper) without any of the strips moving relative to the others when held horizontally. Immerse the strip assemblies in 90 percent ethyl alcohol. Dry with dried filtered compressed air, then desiccate at least 1 hour before use.

(b) SBR WC cups. Measure the base diameters of the two standard SBR cups, using an optical comparator or micrometer, to the nearest 0.02 mm. (0.001 inch) along the centerline of the SAE and rubber-type identifications and at right angles to this centerline. Take the measurements at least 0.4 mm. (0.015 inch) above the bottom edge and parallel to the base of the cup. Discard any cup if the two measured diameters differ by more than 0.08 mm. (0.003 inch). Average the two readings on each cup. Determine the hardness of the cups according to S7.4.

## 12. COMPLIANCE....Continued

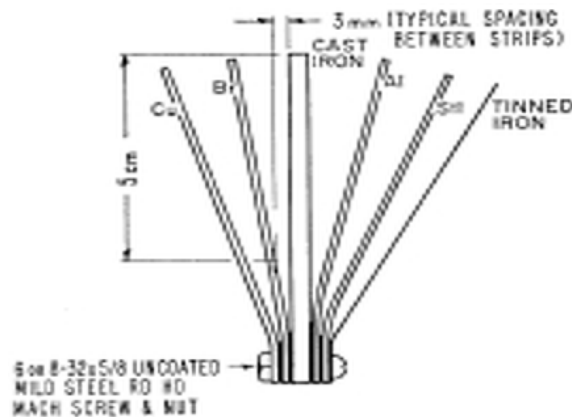


FIG. 4 CORROSION STRIP ASSEMBLY

6.6.5 Procedure. Rinse the cups in ethanol (isopropanol when testing DOT 5 SBBF fluids) for not more than 30 seconds and wipe dry with a clean lintfree cloth. Place one cup with lip edge facing up, in each jar. Insert a metal strip assembly inside each cup with the fastened end down and the free end extending upward. (See Figure 5.) When testing brake fluids, except DOT 5 SBBF, mix 760 ml. of brake fluid with 40 ml. of distilled water. When testing DOT 5 SBBF's, humidify 800 ml. of brake fluid in accordance with S6.2, eliminating determination of the ERBP. Using this water-wet mixture, cover each strip assembly to a minimum depth of 10 mm. above the tops of the strips. Tighten the lids and place the jars for  $120 \pm 2$  hours in an oven maintained at  $100 \pm 2$  °C. ( $212 \pm 3.6$  °F.). Allow the jars to cool at  $23 \pm 5$  °C. ( $73.4 \pm 9$  °F.) for 60 to 90 minutes. Immediately remove the strips from the jars using forceps, agitating the strip assembly in the fluid to remove loose adhering sediment. Examine the test strips and jars for adhering crystalline deposits. Disassemble the metal strips, and remove adhering fluid by flushing with water; clean each strip by wiping with a clean cloth wetted with ethanol (isopropanol when testing DOT 5 fluids). Examine the strips for evidence of corrosion and pitting. Disregard staining or discoloration. Place the strips in a desiccator containing silica gel or other suitable desiccant, maintained at  $23 \pm 5$  °C. ( $73.4 \pm 9$  °F.), for at least 1 hour. Weigh each strip to the nearest 0.1 mg. Determine the change in weight of each metal strip. Average the results for the two strips of each type of metal. Immediately following the cooling period, remove the cups from the jars with forceps. Remove loose adhering sediment by agitation of the cups in the mixture. Rinse the cups in ethanol (isopropanol when testing DOT 5 fluids) and air-dry. Examine the cups for evidence of sloughing, blisters, and other forms of disintegration. Measure the base diameter and hardness of each cup within 15 minutes after removal from the mixture. Examine the mixture for gelling. Agitate the mixture to suspend and uniformly disperse sediment. From each jar, transfer a 100 ml. portion of the mixture to an ASTM cone-shaped centrifuge tube. Determine the percent sediment after centrifuging as described in S7.5. Measure the pH value of the corrosion test fluid according to S6.4.6. Measure the pH value of the test mixture according to S6.4.6.

6.6.6 Calculation. (a) Measure the area of each type of test strip to the nearest square

## 12. COMPLIANCE....Continued

centimeter. Divide the average change in mass for each type by the area of that type. (b) Note other data and evaluations indicating compliance with S5.1.6. In the event of a marginal pass on inspection by attributes, or of a failure in one of the duplicates, run another set of duplicate samples. Both repeat samples shall meet all requirements of S5.1.6.

6.6.7 Pass/Fail Criteria. (a) The metal test strips shall not show weight changes exceeding the limits stated in Table III below;

Table III - Weight Change Limits

Test Strip Material	Maximum permissible weight change, mg./sq.cm. of surface
Steel, tinned iron, cast iron	0.2
Aluminum	0.1
Brass, copper	0.4

(b) Excluding the area of contact ( $13 \pm 1$  mm. ( $1.2 \pm 1.32$  inch) measured from the bolt hole end of the test strip), the metal test strips shall not show pitting or etching to an extent discernible without magnification; (c) The water-wet brake fluid at the end of the test shall show no jelling at  $23 \pm 5$  °C ( $73.4 \pm 9$  °F.); (d) No crystalline deposit shall form and adhere to either the glass jar walls or the surface of the metal strips; (e) At the end of the test, sedimentation of the water-wet brake fluid shall not exceed 0.10 percent by volume; (f) The pH value of water-wet brake fluid, except DOT 5 SBBF, at the end of the test shall not be less than 7.0 nor more than 11.5; (g) The cups at the end of the test shall show no disintegration, as evidenced by blisters or sloughing; (h) The hardness of the cup shall not decrease by more than 15 International Rubber Hardness Degrees (IRHD); and (i) The base diameter of the cups shall not increase by more than 1.4 mm. (0.055 inch).

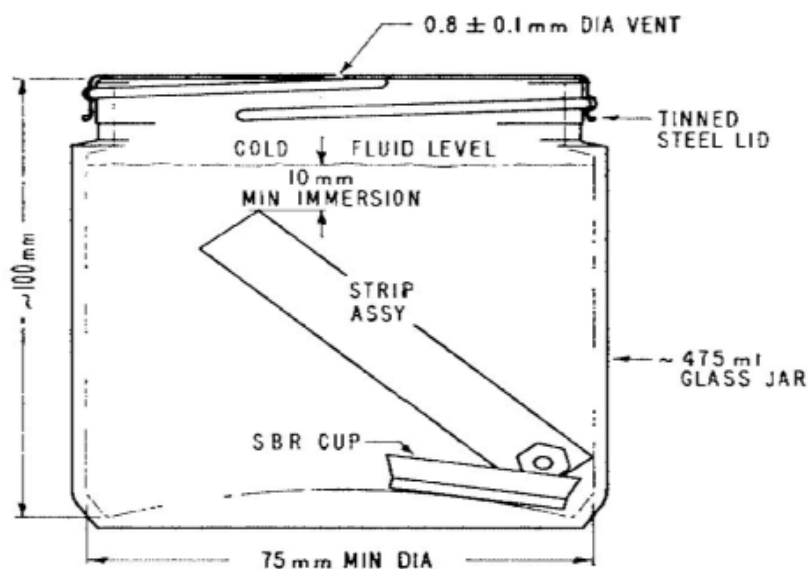


FIG. 5 CORROSION TEST APPARATUS

## 12. COMPLIANCE....Continued

6.7 Fluidity and appearance at low temperatures. Determine the fluidity and appearance of a sample of brake fluid at each of two selected temperatures by the following procedure.

6.7.1 Summary of procedure. Brake fluid is chilled to expected minimum exposure temperatures and observed for clarity, gellation, sediment, separation of components, excessive viscosity or thixotropy.

6.7.2 Apparatus. (a) Oil sample bottle. Two clear flint glass 4-ounce bottles made especially for sampling oil and other liquids, with a capacity of approximately 125 ml., an outside diameter of  $37 \pm 0.05$  mm. and an overall height of  $165 \pm 2.5$  mm. (b) Cold chamber. An air bath cold chamber capable of maintaining storage temperatures down to minus 55 °C. (minus 67 °F.) with an accuracy of  $\pm 2$  °C. (3.6 °F.). (c) Timing device. A timing device in accordance with S6.3.2(e).

6.7.3 Procedure. (a) Place  $100 \pm 1$  ml. of brake fluid at room temperature in an oil sample bottle. Stopper the bottle with an unused cork and place in the cold chamber at the higher storage temperature specified in Table II (S5.1.7(c)). After  $144 \pm 4$  hours remove the bottle from the chamber, quickly wipe it with a clean, lint-free cloth, saturated with ethanol (isopropanol when testing DOT 5 fluids) or acetone. Examine the fluid for evidence of sludging, sedimentation, crystallization, or stratification. Invert the bottle and determine the number of seconds required for the air bubble to travel to the top of the fluid. Let sample warm to room temperature and examine. (b) Repeat 6.7.3(a), substituting the lower cold chamber temperature specified in Table II, and a storage period of 6 hours  $\pm 12$  minutes. NOTE: Test specimens from either storage temperature may be used for the other only after warming up to room temperature.

6.7.4 Pass/Fail Criteria. At the storage temperature and for the storage times given in Table II— (a) The fluid shall show no sludging, sedimentation, crystallization, or stratification; (b) Upon inversion of the sample bottle, the time required for the air bubble to travel to the top of the fluid shall not exceed the bubble flow times shown in Table IV; and (c) On warming to room temperature, the fluid shall resume the appearance and fluidity that it had before chilling.

Table IV - Fluidity and Appearance at Low Temperatures		
Storage temperature	Storage time (hours)	Maximum bubble flow time (seconds)
Minus $40 \pm 2$ °C. (minus $40 \pm 3.6$ °F.)	$144 \pm 4.0$	10
Minus $50 \pm 2$ °C. (minus $58 \pm 3.6$ °F.)	$6 \pm 0.2$	20

6.8 Water tolerance. Evaluate the water tolerance characteristics of a brake fluid by running one test specimen according to the following procedure.

6.8.1 Summary of the procedure. Brake fluid, except DOT 5 SBBF, is diluted with 3.5 percent water (DOT 5 SBBF is humidified), then stored at minus 40 °C. (minus 40 °F.) for 120 hours. The cold, water-wet fluid is first examined for clarity, stratification, and sedimentation, then placed in an oven at 60 °C. (140 °F.) for 24 hours. On removal, it is



## 12. COMPLIANCE....Continued

again examined for stratification, and the volume percent of sediment determined by centrifuging.

6.8.2 Apparatus. (a) Centrifuge tube. See S7.5.1(a). (b) Centrifuge. See S7.5.1(b). (c) Cold chamber. See S6.7.2(b). (d) Oven. Gravity or forced convection oven. (e) Timing device. See S6.3.2(e). S6.9.3 Procedure. (a) At low temperature. Humidify 100±1 ml. of DOT 5 SBBF brake fluid in accordance with S6.2 eliminating determination of the ERBP. When testing brake fluids except DOT 5 SBBF, mix 3.5±0.1 ml. of distilled water with 100±1 ml. of the brake fluid; pour into a centrifuge tube. Stopper the tube with a clean cork and place in the cold chamber maintained at minus 40±2 °C. (minus 40±3.6 °F.). After 120 hours±2 hours remove the tube, quickly wipe with clean lint-free cloth saturated with ethanol or acetone and examine the fluid for evidence of sludging, sedimentation, crystallization, or stratification. Invert the tube and determine the number of seconds required for the air bubble to travel to the top of the fluid. (The air bubble is considered to have reached the top of the fluid when the top of the bubble reaches the 2 ml. graduation of the centrifuge tube.) If the wet fluid has become cloudy, warm to 23±5 °C. (73.4±9 °F.) and note appearance and fluidity. (b) At 60 °C. (140 °F.). Place tube and brake fluid from

6.8.3(a) in an oven maintained at 60°±2 °C. (140°±3.6 °F.) for 24±2 hours. Remove the tube and immediately examine the contents for evidence of stratification. Determine the percent sediment by centrifuging as described in S7.5.

6.8.4 Pass/Fail Criteria. (a) At low temperature. (1) The fluid shall show no sludging, sedimentation, crystallization, or stratification; (2) Upon inversion of the centrifuge tube, the air bubble shall travel to the top of the fluid in not more than 10 seconds; (3) If cloudiness has developed, the wet fluid shall regain its original clarity and fluidity when warmed to room temperature; and (b) At 60 °C. (140 °F.). At 60 °C. (140 °F.) (1) The fluid shall show no stratification; and (2) Sedimentation shall not exceed 0.15 percent by volume after centrifuging.

6.9 Compatibility. The compatibility of a brake fluid with other brake fluids shall be evaluated by running one test sample according to the following procedure.

6.9.1 Summary of the procedure. Brake fluid is mixed with an equal volume of SAE RM-66-04 Compatibility Fluid, then tested in the same way as for water tolerance (S6.9) except that the bubble flow time is not measured. This test is an indication of the compatibility of the test fluid with other motor vehicle brake fluids at both high and low temperatures.

6.9.2 Apparatus and materials. (a) Centrifuge tube. See S7.5.1(a). (b) Centrifuge. See S7.5.1(b). (c) Cold Chamber. See S6.7.2(b) (d) Oven. See S6.9.2(d) (e) SAE RM-66-04 Compatibility Fluid. As described in appendix B of SAE Standard J1703 JAN 1995 "Motor Vehicle Brake Fluid." (SAE RM-66-03 Compatibility Fluid as described in appendix A of SAE Standard J1703 NOV83, "Motor Vehicle Brake Fluid," November 1983, may be used in place of SAE RM-66-04 until January 1, 1995.)

6.9.3 Procedure. (a) At low temperature. Mix 50±0.5 mL of brake fluid with 50±0.5 mL

## 12. COMPLIANCE....Continued

of SAE RM-66-04 Compatibility Fluid. Pour this mixture into a centrifuge tube and stopper with a clean dry cork. Place tube in the cold chamber maintained at minus  $40^{\circ}\pm 2^{\circ}\text{C}$ . (minus  $40^{\circ}\pm 4^{\circ}\text{F}$ ). After  $24\pm 2$  hours, remove tube, quickly wipe with a clean lint-free cloth saturated with ethanol (isopropanol when testing DOT 5 fluids) or acetone. Examine the test specimen for evidence of slugging, sedimentation, or crystallization. Test fluids, except DOT 5 SBBF, shall be examined for stratification.

6.9.4 Pass/Fail Criteria. (a) At low temperature. When brake fluid is tested according to S6.10.3(a), the test specimen shall show no sludging, sedimentation, or crystallization. In addition, fluids, except DOT 5 SBBF, shall show no stratification. (b) At  $60^{\circ}\text{C}$ . ( $140^{\circ}\text{F}$ ). When brake fluid is tested according to S6.10.3(b)— (1) Sedimentation shall not exceed 0.05 percent by volume after centrifuging; and (2) Fluids, except DOT 5 SBBF, shall show no stratification.

6.10 Resistance to oxidation. The stability of a brake fluid under oxidative conditions shall be evaluated by running duplicate samples according to the following procedure.

6.10.1 Summary of procedure. Brake fluids, except DOT 5 SBBF, are activated with a mixture of approximately 0.2 percent benzoyl peroxide and 5 percent water. DOT 5 SBBF is humidified in accordance with S6.2 eliminating determination of the ERBP, and then approximately 0.2 percent benzoyl peroxide is added. A corrosion test strip assembly consisting of cast iron and an aluminum strip separated by tinfoil squares at each end is then rested on a piece of SBR WC cup positioned so that the test strip is half immersed in the fluid and oven aged at  $70^{\circ}\text{C}$ . ( $158^{\circ}\text{F}$ .) for 168 hours. At the end of this period, the metal strips are examined for pitting, etching, and loss of mass.

6.10.2 Equipment. (a) Balance. See S6.6.2(a). (b) Desiccators. See S6.6.2(b). (c) Oven. See S6.6.2(c). (d) Three glass test tubes approximately 22 mm. outside diameter by 175 mm. in length.

6.10.3 Reagents and materials. (a) Benzoyl peroxide, reagent grade, 96 percent. (Benzoyl peroxide that is brownish, or dusty, or has less than 90 percent purity, must be discarded.) Reagent strength may be evaluated by ASTM E298-68, "Standard Methods for Assay of Organic Peroxides." (b) Corrosion test strips. Two sets of cast iron and aluminum metal test strips as described in appendix C of SAE Standard J1703b. (c) Tinfoil. Four unused pieces of tinfoil approximately 12 mm. (1.2 inch) square and between 0.02 and 0.06 mm. (0.0008 and 0.0024 inch) in thickness. The foil shall be at least 99.9 percent tin and contain not more than 0.025 percent lead. (d) SBR cups. Two unused, approximately one-eighth sections of a standard SAE SBR WC cup (as described in S7.6). (e) Machine screw and nut. Two clean oil-free, No. 6 or 8-32  $\times$  3.8  $\times$  or 1.2-inch long (or equivalent metric size), round or fillister head, uncoated mild steel machine screws, with matching plain nuts.

6.10.4 Preparation. (a) Corrosion test strips. Prepare two sets of aluminum and cast iron test strips according to S6.6.4(a) except for assembly. Weigh each strip to the nearest 0.1 mg. and assemble a strip of each metal on a machine screw, separating the strips at each end with a piece of tinfoil. Tighten the nut enough to hold both pieces of foil firmly in place. (b) Test mixture. Place  $30\pm 1$  ml. of the brake fluid under test in a 22

## 12. COMPLIANCE....Continued

by 175 mm. test tube. For all fluids except DOT 5 SBBF, add  $0.060 \pm 0.002$  grams of benzoyl peroxide, and  $1.50 \pm 0.05$  ml. of distilled water. For DOT 5 SBBF, use test fluid humidified in accordance with S6.2, and add only the benzoyl peroxide. Stopper the tube loosely with a clean dry cork, shake, and place in an oven for 2 hours at  $70 \pm 2$  °C. ( $158 \pm 3.6$  °F.). Shake every 15 minutes to effect solution of the peroxide, but do not wet cork. Remove the tube from the oven and allow to cool to  $23 \pm 5$  °C. ( $73.4 \pm 9$  °F.) Begin testing according to paragraph S6.11.5 not later than 24 hours after removal of tube from oven.

6.10.5 Procedure. Place a one-eighth SBR cup section in the bottom of each tube. Add 10 ml. of prepared test mixture to each test tube. Place a metal strip assembly in each, the end of the strip without the screw resting on the rubber, and the solution covering about one-half the length of the strips. Stopper the tubes with clean dry corks and store upright for  $70 \pm 2$  hours at  $23 \pm 5$  °C. ( $73.4 \pm 9$  °F.). Loosen the corks and place the tubes for  $168 \pm 2$  hours in an oven maintained at  $70 \pm 2$  °C. ( $158 \pm 3.6$  °F.). Afterwards remove and disassemble strips. Examine the strips and note any gum deposits. Wipe the strips with a clean cloth wet with ethanol (isopropanol when testing DOT 5 fluids) and note any pitting, etching or roughening of surface disregarding stain or discoloration. Place the strips in a desiccator over silica gel or other suitable desiccant, at  $23 \pm 5$  °C. ( $73.4 \pm 9$  °F.) for at least 1 hour. Again weigh each strip to the nearest 0.1 mg.

6.10.6 Calculation. Determine corrosion loss by dividing the change in mass of each metal strip by the total surface area of each strip measured in square millimeters ( $\text{mm}^2$ ), to the nearest square millimeter ( $\text{mm}^2$ ). Average the results for the two strips of each type of metal, rounding to the nearest 0.05 mg. per 100 square millimeter ( $\text{mm}^2$ ). If only one of the duplicates fails for any reason, run a second set of duplicate samples. Both repeat samples shall meet all requirements of S5.1.11.

6.10.7 Pass/Fail Criteria. (a) The metal test strips outside the areas in contact with the tinfoil shall not show pitting or etching to an extent discernible without magnification; (b) No more than a trace of gum shall be deposited on the test strips outside the areas in contact with the tinfoil; (c) The aluminum strips shall not change in weight by more than 0.05 mg./sq. cm.; and (d) The cast iron strips shall not change in weight by more than 0.3 mg./ sq. cm.

6.11 Effect on SBR cups. The effects of a brake fluid in swelling, softening, and otherwise affecting standard SBR WC cups shall be evaluated by the following procedure.

6.11.1 Summary of the procedure. Four standard SAE SBR WC cups are measured and their hardnesses determined. The cups, two to a jar, are immersed in the test brake fluid. One jar is heated for 70 hours at 70 °C. (158 °F), and the other for 70 hours at 120 °C (248 °F). Afterwards, the cups are washed, examined for disintegration, remeasured and their hardnesses redetermined.

6.11.2 Equipment and supplies. (a) Oven. See S6.6.2(c). (b) Glass jars and lids. Two screw-top, straight-sided round glass jars, each having a capacity of approximately 250 ml. and inner dimensions of approximately 125 mm. in height and 50 mm. in diameter,

## 12. COMPLIANCE....Continued

and a tinned steel lid (no insert or organic coating). (c) SBR cups. See S7.6.

6.11.3 Preparation. Measure the base diameters of the SBR cups as described in 6.6.4(b), and the hardness of each as described in 7.4.

6.11.4 Procedure. Wash the cups in 90 percent ethanol (isopropanol when testing DOT 5 fluids) (see S7.3), for not longer than 30 seconds and quickly dry with a clean, lint-free cloth. Using forceps, place two cups into each of the two jars; add 75 ml. of brake fluid to each jar and cap tightly. Place one jar in an oven held at  $70^{\circ}\pm 2^{\circ}\text{C}$ . ( $158^{\circ}\pm 3.6^{\circ}\text{F}$ .) for  $70\pm 2$  hours. Place the other jar in an oven held at  $120^{\circ}\pm 2^{\circ}\text{C}$ . ( $248^{\circ}\pm 3.6^{\circ}\text{F}$ .) for  $70\pm 2$  hours. Allow each jar to cool for 60 to 90 minutes at  $23^{\circ}\pm 5^{\circ}\text{C}$ . ( $73.4^{\circ}\pm 9^{\circ}\text{F}$ .) Remove cups, wash with ethanol (isopropanol when testing DOT 5 fluids) for not longer than 30 seconds, and quickly dry. Examine the cups for disintegration as evidenced by stickiness, blisters, or sloughing. Measure the base diameter and hardness of each cup within 15 minutes after removal from the fluid.

6.11.5 Calculation. (a) Calculate the change in base diameter for each cup. If the two values, at each temperature, do not differ by more than 0.10 mm. (0.004 inch) average them to the nearest 0.02 mm. (0.001 inch). If the two values differ by more than 0.10 mm., repeat the test at the appropriate temperature and average the four values as the change in base diameter. (b) Calculate the change in hardness for each cup. The average of the two values for each pair is the change in hardness. (c) Note disintegration as evidenced by stickiness, blisters, or sloughing.

6.11.6 Pass/Fail Criteria. (a) The increase in the diameter of the base of the cups shall be not less than 0.15 mm. (0.006 inch) or more than 1.40 mm. (0.055 inch); (b) The decrease in hardness of the cups shall be not more than 10 IRHD at  $70^{\circ}\text{C}$ . ( $158^{\circ}\text{F}$ .) or more than 15 IRHD at  $120^{\circ}\text{C}$ . ( $248^{\circ}\text{F}$ .), and there shall be no increase in hardness of the cups; and (c) The cups shall show no disintegration as evidenced by stickiness, blisters, or sloughing.

6.12 Stroking properties. Evaluate the lubricating properties, component compatibility, resistance to leakage, and related qualities of a brake fluid by running one sample according to the following procedures.

6.12.1 Summary of the procedure. Brake fluid is stroked under controlled conditions at an elevated temperature in a simulated motor vehicle hydraulic braking system consisting of three slave wheel cylinders and an actuating master cylinder connected by steel tubing. Referee standard parts are used. All parts are carefully cleaned, examined, and certain measurements made immediately prior to assembly for test. During the test, temperature, rate of pressure rise, maximum pressure, and rate of stroking are specified and controlled. The system is examined periodically during stroking to assure that excessive leakage of fluid is not occurring. Afterwards, the system is torn down. Metal parts and SBR cups are examined and remeasured. The brake fluid and any resultant sludge and debris are collected, examined, and tested.

6.12.2 Apparatus and equipment. Either the drum and shoe type of stroking apparatus

## 12. COMPLIANCE....Continued

(see Figure 1 of SAE Standard J1703b) except using only three sets of drum and shoe assemblies, or the stroking fixture type apparatus as shown in Figure 2 of SAE J1703Nov83, with the components arranged as shown in Figure 1 of SAE J1703Nov83. The following components are required. (a) Brake assemblies. With the drum and shoe apparatus: three drum and shoe assembly units (SAE RM-29a) consisting of three forward brake shoes and three reverse brake shoes with linings and three front wheel brake drum assemblies with assembly component parts. With stroking fixture type apparatus: three fixture units including appropriate adapter mounting plates to hold brake wheel cylinder assemblies. (b) Braking pressure actuation mechanism. An actuating mechanism for applying a force to the master cylinder pushrod without side thrust. The amount of force applied by the actuating mechanism shall be adjustable and capable of applying sufficient thrust to the master cylinder to create a pressure of at least 6895 kPa (1,000 p.s.i.) in the simulated brake system. A hydraulic gage or pressure recorder, having a range of at least 0 to 6895 kPa (0 to 1,000 p.s.i.), shall be installed between the master cylinder and the brake assemblies and shall be provided with a shutoff valve and with a bleeding valve for removing air from the connecting tubing. The actuating mechanism shall be designed to permit adjustable stroking rates of approximately 1,000 strokes per hour. Use a mechanical or electrical counter to record the total number of strokes. (c) Heated air bath cabinet. An insulated cabinet or oven having sufficient capacity to house the three mounted brake assemblies or stroking fixture assemblies, master cylinder, and necessary connections. A thermostatically controlled heating system is required to maintain a temperature of  $70^{\circ}\pm 5^{\circ}\text{C}$  ( $158^{\circ}\pm 9^{\circ}\text{F}$ ) or  $120^{\circ}\pm 5^{\circ}\text{C}$  ( $248^{\circ}\pm 9^{\circ}\text{F}$ ). Heaters shall be shielded to prevent direct radiation to wheel or master cylinder. (d) Master cylinder (MC) assembly (SAE RM-15a). One cast iron housing hydraulic brake system cylinder having a diameter of approximately 28 mm. (1.1 inch) and fitted for a filler cap and standpipe (see S6.13.2(e)). The MC piston shall be made from SAE CA360 copperbase alloy (half hard). A new MC assembly is required for each test. (e) Filler cap and standpipe. MC filler cap provided with a glass or uncoated steel standpipe. Standpipe must provide adequate volume for thermal expansion, yet permit measurement and adjustment of the fluid level in the system to  $\pm 3$  ml. Cap and standpipe may be cleaned and reused. (f) Wheel cylinder (WC) assemblies (SAE RM-14a). Three unused cast iron housing straight bore hydraulic brake WC assemblies having diameters of approximately 28 mm (1.1 inch) for each test. Pistons shall be made from unanodized SAE AA 2024 aluminum alloy. (g) Micrometer. Same as S6.6.2(d).

6.12.3 Materials. (a) Standard SBR brake cups. Six standard SAE SBR wheel cylinder test cups, one primary MC test cup, and one secondary MC test cup, all as described in S7.6, for each test. (b) Steel tubing. Double wall steel tubing meeting SAE specification J527. A complete replacement of tubing is essential when visual inspection indicates any corrosion or deposits on inner surface of tubing. Tubing from master cylinder to one wheel cylinder shall be replaced for each test (minimum length .9 m.) Uniformity in tubing size is required between master cylinder and wheel cylinder. The standard master cylinder has two outlets for tubing, both of which must be used.

6.12.4 Preparation of test apparatus. (a) Wheel cylinder assemblies. Use unused wheel cylinder assemblies. Disassemble cylinders and discard cups. Clean all metal parts with ethanol (isopropanol when testing DOT 5 fluids). Inspect the working surfaces of all

## 12. COMPLIANCE....Continued

metal parts for scoring, galling, or pitting and cylinder bore roughness, and discard all defective parts. Remove any stains on cylinder walls with crocus cloth and ethanol (isopropanol when testing DOT 5 fluids). If stains cannot be removed, discard the cylinder. Measure the internal diameter of each cylinder at a location approximately 19 mm. (0.75 inch) from each end of the cylinder bore, taking measurements in line with the hydraulic inlet opening and at right angles to this centerline. Discard the cylinder if any of these four readings exceeds the maximum or minimum limits of 28.66 to 28.60 mm. (1.128 to 1.126 inch). Measure the outside diameter of each piston at two points approximately 90° apart. Discard any piston if either reading exceeds the maximum or minimum limits of 28.55 to 28.52 mm. (1.124 to 1.123 inch). Select parts to insure that the clearance between each piston and mating cylinder is within 0.08 to 0.13 mm. (0.003 to 0.005 inch). Use unused SBR cups. To remove dirt and debris, rinse the cups in 90 percent ethyl alcohol for not more than 30 seconds and wipe dry with a clean lint-free cloth. Discard any cups showing defects such as cuts, molding flaws, or blisters. Measure the lip and base diameters of all cups with an optical comparator or micrometer to the nearest 0.02 mm. (0.001 inch) along the centerline of the SAE and rubber-type identifications and at right angles to this centerline. Determine base diameter measurements at least 0.4 mm. (0.015 inch) above the bottom edge and parallel to the base of the cup. Discard any cup if the two measured lip or base diameters differ by more than 0.08 mm. (0.003 inch). Average the lip and base diameters of each cup. Determine the hardness of all cups according to S7.4. Dip the rubber and metal parts of wheel cylinders, except housing and rubber boots, in the fluid to be tested and install them in accordance with the manufacturer's instructions. Manually stroke the cylinders to insure that they operate easily. Install cylinders in the simulated brake system. (b) Master cylinder assembly. Use an unused master cylinder and unused standard SBR primary and secondary MC cups which have been inspected, measured and cleaned in the manner specified in S6.13.4(a), omitting hardness of the secondary MC cup. However, prior to determining the lip and base diameters of the secondary cup, dip the cup in test brake fluid, assemble on the MC piston, and maintain the assembly in a vertical position at  $23^{\circ} \pm 5^{\circ} \text{C}$ . ( $73.4^{\circ} \pm 9^{\circ} \text{F}$ .) for at least 12 hours. Inspect the relief and supply ports of the master cylinder; discard the cylinder if ports have burrs or wire edges. Measure the internal diameter of the cylinder at two locations (approximately midway between the relief and supply ports and approximately 19 mm. (0.75 inch) beyond the relief port toward the bottom or discharge end of the bore), taking measurements at each location on the vertical and horizontal centerline of the bore. Discard the cylinder if any reading exceeds the maximum or minimum limits of 28.65 to 28.57 mm. (1.128 to 1.125 inch). Measure the outside diameter of each end of the master cylinder piston at two points approximately 90° apart. Discard the piston if any of these four readings exceed the maximum or minimum limits of 28.55 to 28.52 mm. (1.124 to 1.123 inch). Dip the rubber and metal parts of the master cylinder, except the housing and push rod-boot assembly, in the brake fluid and install in accordance with manufacturer's instructions. Manually stroke the master cylinder to insure that it operates easily. Install the master cylinder in the simulated brake system. (c) Assembly and adjustment of test apparatus. (1) When using a shoe and drum type apparatus, adjust the brake shoe toe clearances to  $1.0 \pm 0.1$  mm ( $0.040 \pm 0.004$  inch). Fill the system with brake fluid, bleeding all wheel cylinders and the pressure gage to remove entrapped air. Operate the actuator manually to apply a pressure greater than the required operating pressure and inspect the system for leaks.

## 12. COMPLIANCE....Continued

Adjust the actuator and/or pressure relief valve to obtain a pressure of  $6895 \text{ kPa} \pm 345 \text{ kPa}$  ( $1,000 \pm 50 \text{ p.s.i.}$ ). A smooth pressure stroke pattern is required when using a shoe and drum type apparatus. The pressure is relatively low during the first part of the stroke and then builds up smoothly to the maximum stroking pressure at the end of the stroke, to permit the primary cup to pass the compensating hole at a relatively low pressure. Using stroking fixtures, adjust the actuator and/or pressure relief valve to obtain a pressure of  $6895 \text{ kPa} \pm 345 \text{ kPa}$  ( $1,000 \pm 50 \text{ p.s.i.}$ ). (2) Adjust the stroking rate to  $1,000 \pm 100$  strokes per hour. Record the fluid level in the master cylinder standpipe.

6.12.5 Procedure. Operate the system for  $16,000 \pm 1,000$  cycles at  $23^\circ \pm 5^\circ \text{ C}$ . ( $73.4^\circ \pm 9^\circ \text{ F}$ ). Repair any leakage, readjust the brake shoe clearances, and add fluid to the master cylinder standpipe to bring to the level originally recorded, if necessary. Start the test again and raise the temperature of the cabinet within  $6 \pm 2$  hours to  $120^\circ \pm 5^\circ \text{ C}$ . ( $248^\circ \pm 9^\circ \text{ F}$ ). During the test observe operation of wheel cylinders for improper functioning and record the amount of fluid required to replenish any loss, at intervals of 24,000 strokes. Stop the test at the end of 85,000 total recorded strokes. These totals shall include the number of strokes during operation at  $23^\circ \pm 5^\circ \text{ C}$ . ( $73.4^\circ \pm 9^\circ \text{ F}$ ) and the number of strokes required to bring the system to the operating temperature. Allow equipment to cool to room temperature. Examine the wheel cylinders for leakage. Stroke the assembly an additional 100 strokes, examine wheel cylinders for leakage and record volume loss of fluid. Within 16 hours after stopping the test, remove the master and wheel cylinders from the system, retaining the fluid in the cylinders by immediately capping or plugging the ports. Disassemble the cylinders, collecting the fluid from the master cylinder and wheel cylinders in a glass jar. When collecting the stroked fluid, remove all residue which has deposited on rubber and metal internal parts by rinsing and agitating such parts in the stroked fluid and using a soft brush to assure that all loose adhering sediment is collected. Clean SBR cups in ethanol (isopropanol when testing DOT 5 fluids) and dry. Inspect the cups for stickiness, scuffing, blistering, cracking, chipping, and change in shape from original appearance. Within 1 hour after disassembly, measure the lip and base diameters of each cylinder cup by the procedures specified in S6.13.4 (a) and (b) with the exception that lip or base diameters of cups may now differ by more than 0.08 mm. (0.003 inch). Determine the hardness of each cup according to S7.4. Note any sludge or gel present in the test fluid. Within 1 hour after draining the cylinders, agitate the fluid in a glass jar to suspend and uniformly disperse sediment and transfer a 100 ml. portion of this fluid to a centrifuge tube and determine percent sediment as described in S7.5. Allow the tube and fluid to stand for 24 hours, recentrifuge and record any additional sediment recovered. Inspect cylinder parts, note any gumming or any pitting on pistons and cylinder walls. Disregard staining or discoloration. Rub any deposits adhering to cylinder walls with a clean soft cloth wetted with ethanol (isopropanol when testing DOT 5 fluids) to determine abrasiveness and removability. Clean cylinder parts in ethanol (isopropanol when testing DOT 5 fluids) and dry. Measure and record diameters of pistons and cylinders according to S6.13.4(a) and (b). Repeat the test if mechanical failure occurs that may affect the evaluation of the brake fluid.

6.12.6 Calculation. (a) Calculate the changes in diameters of cylinders and pistons (see S5.1.13(b)). (b) Calculate the average decrease in hardness of the seven cups tested, as well as the individual values (see S5.1.13(c)). (c) Calculate the increases in base

## 12. COMPLIANCE....Continued

diameters of the eight cups (see S5.1.13(e)). (d) Calculate the lip diameter interference set for each of the eight cups by the following formula and average the eight values (see S5.1.13(f)).

$$[(D_1 - D_2) / (D_1 - D_3)] * 100 = \text{PERCENTAGE LIP DIAMETER INTERFERENCE SET}$$

where:           D<sub>1</sub>=Original lip diameter.  
                   D<sub>2</sub>=Final lip diameter.  
                   D<sub>3</sub>=Original cylinder bore diameter.

6.12.7 Pass/Fail Criteria. (a) Metal parts of the test system shall show no pitting or etching to an extent discernible without magnification; (b) The change in diameter of any cylinder or piston shall not exceed 0.13 mm. (0.005 inch); (c) The average decrease in hardness of seven of the eight cups tested (six wheel cylinder and one master cylinder primary) shall not exceed 15 IRHD. Not more than one of the seven cups shall have a decrease in hardness greater than 17 IRHD; (d) None of the eight cups shall be in an unsatisfactory operating condition as evidenced by stickiness, scuffing, blisters, cracking, chipping, or other change in shape from its original appearance; (e) None of the eight cups shall show an increase in base diameter greater than 0.90 mm (0.035 inch); (f) The average lip diameter set of the eight cups shall not be greater than 65 percent. (g) During any period of 24,000 strokes, the volume loss of fluid shall not exceed 36 milliliters; (h) The cylinder pistons shall not freeze or function improperly throughout the test; (i) The total loss of fluid during the 100 strokes at the end of the test shall not exceed 36 milliliters; (j) The fluid at the end of the test shall show no formation of gels; (k) At the end of the test the amount of sediment shall not exceed 1.5 percent by volume; and (l) Brake cylinders shall be free of deposits that are abrasive or that cannot be removed when rubbed moderately with a nonabrasive cloth wetted with ethanol.

6.13 Container information. Each container with information marked directly on the container surface or on a label (labels) affixed to the container pursuant to S5.2.2.2 or S5.2.2.3 is subjected to the following procedure: (a) If the container has a label affixed to it, make a single vertical cut all the way through the label with the container in the vertical position. (b) Immerse the container in the same brake fluid or hydraulic system mineral oil contained therein for 15 minutes at room temperature (23±5 °C; 73.4±9 °F). (c) Within 5 minutes after removing the container from the fluid or oil, remove excess liquid from the surface of the container by wiping with a clean dry cloth.

6.13.1 Pass/Fail Criteria . The information required by this section shall be legible to an observer having corrected visual acuity of 20/40 (Snellen ratio) at a distance of 305 mm, and any label affixed to the container in compliance with this section shall not be removable without its being destroyed or defaced.

6.14. Marking and Labeling Inspection.

6.14.1 Each packager of brake fluid shall furnish the information specified in paragraphs (a) through (g) by clearly marking it on each brake fluid container or on a label (labels) permanently affixed to the container, in any location except a removable



## 12. COMPLIANCE....Continued

part such as a lid. (a) Certification that the brake fluid conforms to § 571.116. (b) The name of the packager of the brake fluid, which may be in code form. (c) The name and complete mailing address of the distributor. (d) A serial number identifying the packaged lot and date of packaging. (e) Designation of the contents as “DOT—MOTOR VEHICLE BRAKE FLUID” (Fill in DOT 3, DOT 4, DOT 5 SILICONE BASE, or DOT 5.1 NON-SILICONE BASE as applicable). (f) The minimum wet boiling point in Fahrenheit of the DOT brake fluid in the container. (g) The following safety warnings in capital and lower case letters as indicated: (1) FOLLOW VEHICLE MANUFACTURER’S RECOMMENDATIONS WHEN ADDING BRAKE FLUID. (2) KEEP BRAKE FLUID CLEAN AND DRY. Contamination with dirt, water, petroleum products or other materials may result in brake failure or costly repairs. (3) STORE BRAKE FLUID ONLY IN ITS ORIGINAL CONTAINER. KEEP CONTAINER CLEAN AND TIGHTLY CLOSED TO PREVENT ABSORPTION OF MOISTURE. (4) CAUTION: DO NOT REFILL CONTAINER, AND DO NOT USE FOR OTHER LIQUIDS. (Not required for containers with a capacity in excess of 19 L.)

6.14.2 Each packager of hydraulic system mineral oil shall furnish the information specified in paragraphs (a) through (e) by clearly marking it on each brake fluid container or on a label (labels) permanently affixed to the container, in any location except a removable part such as a lid. (a) The name of the packager of the hydraulic system mineral oil, which may be in code form. (b) The name and complete mailing address of the distributor. (c) A serial number identifying the packaged lot and date of packaging. (d) Designation of the contents as “HYDRAULIC SYSTEM MINERAL OIL” in capital letters at least 3 mm high. (e) The following safety warnings in capital and lower case letters as indicated: (1) FOLLOW VEHICLE MANUFACTURER’S RECOMMENDATIONS WHEN ADDING HYDRAULIC SYSTEM MINERAL OIL. (2) Hydraulic System Mineral Oil is NOT COMPATIBLE with the rubber components of brake systems designed for use with DOT brake fluids. (3) KEEP HYDRAULIC SYSTEM MINERAL OIL CLEAN. Contamination with dust or other materials may result in brake failure or costly repair. (4) CAUTION: STORE HYDRAULIC SYSTEM MINERAL OIL ONLY IN ITS ORIGINAL CONTAINER. KEEP CONTAINER CLEAN AND TIGHTLY CLOSED. DO NOT REFILL CONTAINER OR USE OTHER LIQUIDS. (The last sentence is not required for containers with a capacity in excess of 19 L.)

6.14.3 If a container for brake fluid or hydraulic system mineral oil is not normally visible but designed to be protected by an outer container or carton during use, the outer container or carton rather than the inner container shall meet the labeling requirements of 6.14.2 or 6.14.3, as appropriate.

S7. Auxiliary test methods and reagent standards. S7.1 Distilled water. Nonreferee reagent water as specified in ASTM D1193– 70, “Standard Specifications for Reagent Water,” or water of equal purity.

S7.2 Water content of motor vehicle brake fluids. Use analytical methods based on ASTM D1123–59, “Standard Method of Test for Water in Concentrated Engine Antifreezes by the Iodine Reagent Method,” for determining the water content of brake fluids, or other methods of analysis yielding comparable results. To be for use, such other method must measure the weight of water added to samples of the SAE RM–66–

## 12. COMPLIANCE....Continued

04 and TEGME Compatibility Fluids within  $\pm 15$  percent of the water added for additions up to 0.8 percent by weight, and within  $\pm 5$  percent of the water added for additions greater than 0.8 percent by weight. The SAE RM-66-04 Compatibility Fluid used to prepare the samples must have an original ERBP of not less than 205 °C (401 °F) when tested in accordance with S6.1. The SAE TEGME fluid used to prepare the samples must have an original ERBP of not less than 240 °C (464 °F) when tested in accordance with S6.1.

S7.3 Ethanol. 95 percent (190 proof) ethyl alcohol, USP or ACS, or Formula 3-A Specially Denatured Alcohol of the same concentration (as specified at 27 CFR 21.35). For pretest washings of equipment, use approximately 90 percent ethyl alcohol, obtained by adding 5 parts of distilled water to 95 parts of ethanol.

S7.4 Measuring the hardness of SBR brake cups. Hardness measurements on SBR wheel cylinder cups and master cylinder primary cups shall be made by using the following apparatus and the following procedure.

S7.4.1 Apparatus. (a) Anvil. A rubber anvil having a flat circular top  $20 \pm 1$  mm. ( $13.16 \pm 1.16$  inch) in diameter, a thickness of at least 9 mm. (3.8 inch) and a hardness within 5 IRHDs of the SBR test cup. (b) Hardness tester. A hardness tester meeting the requirements for the standard instrument as described in ASTM D1415-68, "Standard Method of Test for International Hardness of Vulcanized Natural and Synthetic Rubbers," and graduated directly in IRHD units.

S7.4.2 Procedure. Make hardness measurements at  $23 \pm 2$  °C. ( $73.4 \pm 4$  °F.). Equilibrate the tester and anvils at this temperature prior to use. Center brake cups lip side down on an anvil of appropriate hardness. Following the manufacturer's operating instructions for the hardness tester, make one measurement at each of four points 6 mm from the center of the cup and spaced 90° apart. Average the four values, and round off to the nearest IRHD.

S7.5 Sediment by centrifuging. The amount of sediment in the test fluid shall be determined by the following procedure.

S7.5.1 Apparatus. (a) Centrifuge tube. Cone-shaped centrifuge tubes conforming to the dimensions given in Figure 6, and made of thoroughly annealed glass. The graduations shall be numbered as shown in Figure 6, and shall be clear and distinct. Scale-error tolerances and smallest graduations between various calibration marks are given in Table V and apply to calibrations made with airfree water at 20 °C. (68 °F.).

## 12. COMPLIANCE....Continued

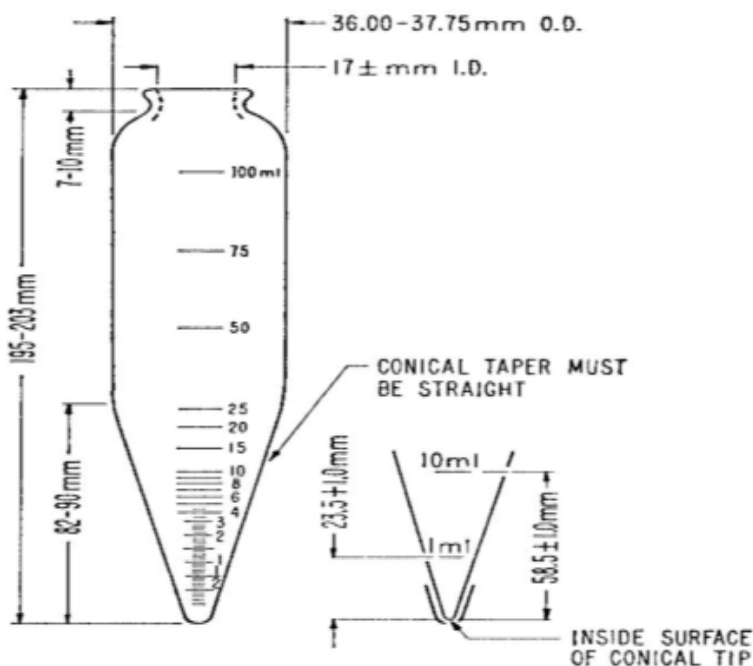


FIG. 6. ASTM 8-IN. CENTRIFUGE TUBE

Table V – Calibration Tolerances for 8-Inch Centrifuge Tube

Range, ml	Subdivision, ml	Volume Tolerance, ml
0 to 0.1	0.05	±0.02
Above 0.1 to 0.3	0.05	±0.03
Above 0.3 to 0.5	0.05	±0.05
Above 0.5 to 1	0.10	±0.05
Above 1 to 2	0.10	±0.10
Above 2 to 3	0.20	±0.10
Above 3 to 5	0.5	±0.20
Above 5 to 10	1.	±0.50
Above 10 to 25	5.	±1.00
Above 25 to 100	25.	±1.00

(b) Centrifuge. A centrifuge capable of whirling two or more filled centrifuge tubes at a speed which can be controlled to give a relative centrifugal force (r.c.f.) between 600 and 700 at the tip of the tubes. The revolving head, trunnion rings, and trunnion cups, including the rubber cushion, shall withstand the maximum centrifugal force capable of being delivered by the power source. The trunnion cups and cushions shall firmly support the tubes when the centrifuge is in motion. Calculate the speed of the rotating head using this equation:

$$\text{r.p.m.} = 265[\sqrt{25.4 * \text{r.c.f.} / d}]$$

where: r.c.f. - Relative centrifugal force

## 12. COMPLIANCE....Continued

d - Diameter of swing, in millimeters, measured between tips of opposing tubes when in rotating position.

Table VI shows the relationship between diameter, swing, relative centrifugal force (r.c.f.), and revolutions per minute.

Table VI – Rotation Speeds for Centrifuges of Various Diameters

Diameter of swing in millimeters <sup>a</sup>	r.p.m. at 600 r.c.f	r.p.m. at 700 r.c.f.
483	1490	1610
508	1450	1570
533	1420	1530
559	1390	1500

<sup>a</sup> Measured in millimeters between tips of opposite tubes when in rotating position.

S7.5.2 Procedure. Balance the corked centrifuge tubes with their respective trunnion cups in pairs by weight on a scale, according to the centrifuge manufacturer's instructions, and place them on opposite sides of the centrifuge head. Use a dummy assembly when one sample is tested. Then whirl them for 10 minutes, at a rate sufficient to produce a r.c.f. between 600 and 700 at the tips of the whirling tubes. Repeat until the volume of sediment in each tube remains constant for three consecutive readings.

S7.5.3 Calculation. Read the volume of the solid sediment at the bottom of the centrifuge tube and report the percent sediment by volume. Where replicate determinations are specified, report the average value.

S7.6 Standard styrene-butadiene rubber (SBR) brake cups. SBR brake cups for testing motor vehicle brake fluids shall be manufactured using the following formulation:

Formulation of Rubber Compunds

Ingredient	Parts by weight
SBR type 1503	100
Oil furnace black (NBS 378)	40
Zinc oxide (NBS 370)	5
Sulfur (NBS 371)	0.25
Stearic Acid (NBS 372)	1
1 n-tertiary butyl-2-benzothiazole sulfenamide (NBS 384)	1
Symmetrical dibetanaphthyl-p-phenylenediamine	1.5
Dicumyl peroxide (40 percent on precipitated CaCO <sub>3</sub> ) <sup>b</sup>	4.5
Total	153.25

<sup>a</sup> Philprene 1503 has been found suitable.

<sup>b</sup> Use only within 90 days of manufacture and store at temperature below 27 °C. (80 °F.).

NOTE: The ingredients labeled (NBS) must have properties identical with those supplied by the National Bureau of Standards.

Compounding, vulcanization, physical properties, size of the finished cups, and other details shall be as specified in appendix B of SAE J1703b. The cups shall be used in

## 12. COMPLIANCE....Continued

testing brake fluids either within 6 months from date of manufacture when stored at room temperature below 30 °C. (86 °F.) or within 36 months from date of manufacture when stored at temperatures below minus 15 °C. (+5 °F.). After removal of cups from refrigeration they shall be conditioned base down on a flat surface for at least 12 hours at room temperature in order to allow cups to reach their true configuration before measurement.

S7.7 Isopropanol. ACS or reagent grade.

### TEST PERFORMANCE

The test program shall be conducted by more than one person in the laboratory to assure that monitoring of the program can be continuous, complete, and expeditious, unless automated equipment is used. Test technicians shall be aware of all requirements for each test phase which is being performed.

### TEST SAMPLE IDENTIFICATION AND STORAGE

All containers of a sample used for any single test shall be identically labeled and shall have the same lot code. Each container shall be tightly sealed after a small quantity of fluid has been removed, to prevent changes in fluid characteristics which might adversely affect test results.

The following data shall be recorded for each test sample. If different lot codes are used for each test, the codes shall be recorded on the data entry for that test.

- A. Name of manufacturer, distributor, packager, and the mailing address if this information is on the container.
- B. Packaged lot and date of packaging (may be in a coded form).
- C. DOT grade.

All containers of test samples must be stored in a clean, dry, security storage area to prevent deterioration of the fluids in any manner which may affect test results.

### RECORDING OF DATA

Test data shall be recorded on permanent strip charts, circular recording charts, or other acceptable printout media. Where permanent trace recording is not required, data will be recorded on standard report forms. Changes or corrections shall be made by drawing a line through the original entry, which must still remain legible, and adding the change alongside.

### PARTS DATA AND SUMMARY OF RESULTS

On the brake fluid information section of the Compliance Data Summary in the final report, each space shall be filled out. Where information is not available, write "None".

## 12. COMPLIANCE....Continued

The summary of results shall indicate pass or fail of each phase of the test program as supported by the results tabulated on the test data sheets.

### TEST DATA REPORTING FORMS

Data will be submitted on the Test Data Sheet forms specified for use in the final report. Data will be typed before the sheets are submitted.

## 13. POST TEST REQUIREMENTS

The contractor shall re-verify all instrumentation and check data sheets and photographs. Make sure that data is recorded in all applicable data blocks on every Data Sheet.

## 14. REPORTS

### 14.1 MONTHLY STATUS REPORTS

The contractor shall submit a monthly Test Status Report and an Equipment Status Report to the COTR. The Equipment Status Report shall be submitted until all items of equipment are disposed of. Samples of the required Monthly Status Reports are contained in the report forms section.

### 14.2 TEST FAILURE

Any indication of a test failure shall be communicated by telephone to the COTR within 1 working day with written notification mailed within 2 working days. A Notice of Test Failure (see report forms section) with a copy of the particular compliance test data sheet(s) and preliminary data plot(s) shall be included. In the event of a test failure, a post test calibration check of some critically sensitive test equipment and instrumentation may be required for verification of accuracy. The necessity for the calibration shall be at the COTR's discretion and shall be performed without additional costs to the OVSC.

### 14.3 FINAL TEST REPORTS

#### 14.3.1 COPIES

In the case of a test failure, **SEVEN** copies of the Final Test Report shall be submitted to the COTR for acceptance within three weeks of test completion. The Final Test Report format to be used by all contractors can be found in the attachment.

Where there has been no indication of a test failure, **FOUR** copies of each Final Test Report shall be submitted to the COTR within three weeks of test completion.

Payment of contractor's invoices for completed compliance tests may be withheld until the Final Test Report is accepted by the COTR. Contractors are requested to NOT submit invoices before the COTR is provided copies of the Final Test Report.

## 14. REPORTS....Continued

Contractors are required to submit the first Final Test Report in typed draft form within two weeks after the compliance test is conducted. The contractor and the COTR will then be able to discuss the details of both test conduct and report content early in the compliance test program.

Contractors are required to PROOF READ all Final Test Reports before submittal to the COTR. The OVSC will not act as a report quality control office for contractors. Reports containing a significant number of errors will be returned to the contractor for correction, and a "hold" will be placed on invoice payment for the particular test.

### 14.3.2 REQUIREMENTS

The Final Test Report, associated documentation (including photographs) are relied upon as the chronicle of the compliance test. The Final Test Report will be released to the public domain after review and acceptance by the COTR. For these reasons, each final report must be a complete document capable of standing by itself. The contractor should use detailed descriptions of all compliance test events. Any events that are not directly associated with the standard but are of technical interest should also be included. The contractor should include as much **detail** as possible in the report. Instructions for the preparation of the first three pages of the final test report are provided below for the purpose of standardization.

### 14.3.3 FIRST THREE PAGES

#### A. FRONT COVER

A heavy paperback cover (or transparency) shall be provided for the protection of the final report. The information required on the cover is as follows:

- (1) Final Report Number such as 116-ABC-XX-001

where c

116 is the FMVSS tested

ABC are the initials for the laboratory

XX is the Fiscal Year of the test program

001 is the Group Number (001 for the 1st brand,  
002 for the 2nd brand, etc.)

- (2) Final Report Title And Subtitle such as

SAFETY COMPLIANCE TESTING FOR FMVSS 116

Motor Vehicle Brake Fluid

\*\*\*\*\*

ACE Distributors

Little Tiger DOT 3 H.D. Brake Fluid

- (3) Contractor's Name and Address such as

**14. REPORTS....Continued**

COMPLIANCE TESTING LABORATORIES, INC.  
4335 West Dearborn Street  
Detroit, Michigan 48090-1234

NOTE: DOT SYMBOL WILL BE PLACED BETWEEN ITEMS (3) AND (4)

- (4) Date of Final Report completion
- (5) The words "FINAL REPORT"
- (6) The sponsoring agency's name and address as follows

U. S. DEPARTMENT OF TRANSPORTATION  
National Highway Traffic Safety Administration  
Enforcement  
Office of Vehicle Safety Compliance  
Room 6115 (NVS-222)  
400 Seventh Street, SW  
Washington, DC 20590



**14. REPORTS....Continued****B. FIRST PAGE AFTER FRONT COVER**

A disclaimer statement and an acceptance signature block for the COTR shall be provided as follows

This publication is distributed by the U. S. Department of Transportation, National Highway Traffic Safety Administration, in the interest of information exchange. The opinions, findings and conclusions expressed in this publication are those of the author(s) and not necessarily those of the Department of Transportation or the National Highway Traffic Safety Administration. The United States Government assumes no liability for its contents or use thereof. If trade or manufacturers' names or products are mentioned, it is only because they are considered essential to the object of the publication and should not be construed as an endorsement. The United States Government does not endorse products or manufacturers.

Prepared By:

Approved By:

Approval Date:

FINAL REPORT ACCEPTANCE BY OVSC:

Accepted By:

Acceptance Date

**14. REPORTS....Continued****C. SECOND PAGE AFTER FRONT COVER**

A completed Technical Report Documentation Page (Form DOT F1700.7) shall be completed for those items that are applicable with the other spaces left blank. Sample data for the applicable block numbers of the title page follows.

**Block 1 c REPORT NUMBER**

116-ABC-XX-001

**Block 2 c GOVERNMENT ACCESSION NUMBER**

Leave blank

**Block 3 c RECIPIENT'S CATALOG NUMBER**

Leave blank

**Block 4 c TITLE AND SUBTITLE**

Final Report of FMVSS 116 Compliance Testing of Little Tiger DOT 3  
Heavy Duty Brake Fluid

**Block 5 c REPORT DATE**

March 1, 20XX

**Block 6 c PERFORMING ORGANIZATION CODE**

ABC

**Block 7 c AUTHOR(S)**

John Smith, Project Manager / Bill Doe, Project Engineer

**Block 8 c PERFORMING ORGANIZATION REPORT NUMBER**

ABC-DOT-XXX-001

**Block 9 c PERFORMING ORGANIZATION NAME AND ADDRESS**

ABC Laboratories  
405 Main Street  
Detroit, MI 48070-1234

**14. REPORTS....Continued****Block 10 c WORK UNIT NUMBER**

Leave blank

**Block 11 c CONTRACT OR GRANT NUMBER**

DTNH22-XX-D-12345

**Block 12 c SPONSORING AGENCY NAME AND ADDRESS**

US Department of Transportation  
National Highway Traffic Safety Administration  
Enforcement  
Office of Vehicle Safety Compliance (NVS-222)  
400 Seventh Street, SW, Room 6115  
Washington, DC 20590

**Block 13 c TYPE OF REPORT AND PERIOD COVERED**

Final Test Report  
Feb. 15 to Mar. 15, 20XX (Start Date to Completion Date)

**Block 14 c SPONSORING AGENCY CODE**

NVS-222

**Block 15 c SUPPLEMENTARY NOTES**

Leave blank

**Block 16 c ABSTRACT**

Compliance tests were conducted on Little Tiger DOT 3 H.D. Brake Fluid in accordance with the specifications of the Office of Vehicle Safety Compliance Test Procedure No. TP-116-XX for the determination of FMVSS 116 compliance. Test failures identified were as follows:

None

**NOTE:** Above wording must be shown with appropriate changes made for a particular compliance test. Any questions should be resolved with the COTR.

**14. REPORTS....Continued****Block 17 c KEY WORDS**

Compliance Testing  
Safety Engineering  
FMVSS 116

**Block 18 c DISTRIBUTION STATEMENT**

Copies of this report are available from c

National Highway Traffic Safety Administration  
Technical Information Services  
Room PL403 (NPO-405)  
400 Seventh Street, SW  
Washington, DC 20590  
Telephone No.: 202-366-2588

**Block 19 c SECURITY CLASSIFICATION OF REPORT**

Unclassified

**Block 20 c SECURITY CLASSIFICATION OF PAGE**

Unclassified

**Block 21 c NUMBER OF PAGES**

Add appropriate number

**Block 22 c PRICE**

Leave blank

## 14. REPORTS....Continued

### 14.3.4 TABLE OF CONTENTS

Final test report Table of Contents shall include the following:

- A. Section 1 c Purpose of Compliance Test
- B. Section 2 c Compliance Test Data Summary
- C. Section 3 c Test Data
- D. Section 4 c Test Failure Details (if applicable)
- E. Appendix A c Interpretations or Deviations From FMVSS 116
- F. Appendix B c Test Equipment List and Calibration Information
- G. Appendix C c Photographs

## 15. DATA SHEETS

### DATA SHEET 1 SUMMARY OF TEST RESULTS

GROUP NO.: \_\_\_\_\_ ; LAB.:

BRAKE FLUID BRAND:

DISTRIBUTOR:

ADDRESS:

LOT I.D./PACKAGE CODE: \_\_\_\_\_ ; DOT GRADE:

INDICATE P - PASS OR F - FAIL	PASS	FAIL
1. Boiling Point (ERBP)	_____	_____
2. Wet ERBP	_____	_____
3. Viscosity at -40EF	_____	_____
Viscosity at 212EF	_____	_____
4. pH Value	_____	_____
5. Fluid Stability	_____	_____
6. Corrosion:		
Weight Change, mg/cm <sup>5</sup>		
Tinned Iron	_____	_____
Steel	_____	_____
Aluminum	_____	_____
Cast Iron	_____	_____
Brass	_____	_____
Copper	_____	_____
Pitting or Roughening	_____	_____
Jelling of Mixture	_____	_____
Crystalline Deposit	_____	_____
Sedimentation, % by volume	_____	_____
Disintegration of cups	_____	_____
pH after test	_____	_____
Decrease in cup hardness	_____	_____
Increase in cup diameter	_____	_____

(Continued on next page)

## 15. DATA SHEETS....Continued

INDICATE P - PASS OR F - FAIL

PASS

FAIL

## 7. Fluidity and Appearance at Low Temperature:

Crystallization at -40EF

\_\_\_\_\_

\_\_\_\_\_

Crystallization at -58EF

\_\_\_\_\_

\_\_\_\_\_

Sedimentation at -40EF

\_\_\_\_\_

\_\_\_\_\_

Sedimentation at -58EF

\_\_\_\_\_

\_\_\_\_\_

Air Bubble Rise Time at -40EF

\_\_\_\_\_

\_\_\_\_\_

Air Bubble Rise Time at -58EF

\_\_\_\_\_

\_\_\_\_\_

## 8. Water Tolerance:

Stratification at -40EF

\_\_\_\_\_

\_\_\_\_\_

Stratification at 140EF

\_\_\_\_\_

\_\_\_\_\_

Sedimentation at -40EF

\_\_\_\_\_

\_\_\_\_\_

Sedimentation at 140EF

\_\_\_\_\_

\_\_\_\_\_

Air Bubble Rise Time at -40EF

\_\_\_\_\_

\_\_\_\_\_

## 9. Compatibility:

Stratification, Crystallization

\_\_\_\_\_

\_\_\_\_\_

Sedimentation, Sludging

\_\_\_\_\_

\_\_\_\_\_

## 10. Resistance to Oxidation:

Weight loss, mg/cm<sup>5</sup>

Aluminum

\_\_\_\_\_

\_\_\_\_\_

Cast iron

\_\_\_\_\_

\_\_\_\_\_

Pitting and etching

\_\_\_\_\_

\_\_\_\_\_

Gum deposit on strips

\_\_\_\_\_

\_\_\_\_\_

## 11. Effect on SBR Cups:

Hardness increase at 158EF

\_\_\_\_\_

\_\_\_\_\_

Hardness increase at 248E

\_\_\_\_\_

\_\_\_\_\_

Hardness decrease at 158EF

\_\_\_\_\_

\_\_\_\_\_

Hardness decrease at 248E

\_\_\_\_\_

\_\_\_\_\_

Base diameter change at 158EF

\_\_\_\_\_

\_\_\_\_\_

Base diameter change at 248E

\_\_\_\_\_

\_\_\_\_\_

(Continued on next page)

**15. DATA SHEETS....Continued**

**INDICATE P - PASS OR F - FAIL**

**PASS**

**FAIL**

12.	Effect on SBR Cups....Continued		
	Disintegration at 158EF	_____	_____
	Disintegration at 248E	_____	_____
13.	Stroking Properties	_____	_____
14.	Color:		
	Clear to Amber (DOT 3 & 4)	_____	_____
	Purple (DOT 5)	_____	_____
15.	Container Sealing:		
	Resealable	_____	_____
	Tamper-Proof Feature	_____	_____
16.	Certification, Marking and Labeling:		
	Certification - -		
	FMVSS 116 Statement	_____	_____
	Marking - -		
	Lot I.D. Code Shown	_____	_____
	Grade Type Shown	_____	_____
	Minimum Wet ERBP Shown	_____	_____
	Complete Mailing Address	_____	_____
	Labeling - -		
	Safety Warning Statements	_____	_____
	Removability	_____	_____
	Legibility	_____	_____

COMMENTS:



## 15. DATA SHEETS....Continued

## DATA SHEET 2

## TEST DATA

GROUP NO.: \_\_\_\_\_ ; LAB.: \_\_\_\_\_

BRAKE FLUID BRAND: \_\_\_\_\_ ; DOT-\_\_\_\_\_

Test No.	Test Description	Test Requirements	Test Results	Start Date	Complete Date
1*	Boiling Point (ERBP)	Min. = 401EF	EF		
2*	Wet ERBP	Min. = 284EF	EF		
3*	Viscosity at -40EF	Max. = 1500 cSt	cSt		
	Viscosity at 212EF	Min. = 1.5 cSt	cSt		
4	pH Value	7 to 11.5			
5	Fluid Stability:	Max. Change			
	High Temperature	5.4 + $\Delta$	EF		
	Chemical	5.4 + $\Delta$	EF		
		$\Delta = + 0.05\text{EF}/\text{E}$ that BP is > 437EF	$\Delta =$ _____ EF		
6	Corrosion:				
	Weight Change, mg/cm <sup>5</sup>				
	Tinned Iron	Max. = 0.2			
	Steel	Max. = 0.2			
	Aluminum	Max. = 0.1			
	Cast Iron	Max. = 0.2			
	Brass	Max. = 0.4			
	Copper	Max. = 0.4			
	Pitting/Roughening	None			
	Jelling of mixture	None			
	Crystalline deposits	None			
	Sedimentation, % by vol.	Max. = 0.10%			
	Disintegration of cups	None			
	pH after Test	7 to 11.5			
	Decrease in cup hardness	Max. = 15 IRHD			

	Increase in cup hardness	Max. = 0.055"			
--	--------------------------	---------------	--	--	--

### 15. DATA SHEETS....Continued

Test No.	Test Description	Test Requirements		Test Results	Start Date	Complete Date
7	Fluidity and Appearance at Low Temperature:	-40EF	-58EF			
	Stratification	None	None			
	Sedimentation	None	None			
	Air Bubble Rise Time - sec.	10 max	35 max			
8	Water Tolerance:	-40EF	140EF			
	Stratification	None	None			
	Sedimentation, %	None	.15 max			
	Air Bubble Rise Time - sec.	10 max				
9	Compatibility:	-40EF	140EF			
	Stratification	None	None			
	Crystallization	None	None			
	Sedimentation, Sludging, %	None	.05 max			
10	Resistance to Oxidation:					
	Weight Loss, mg/cm <sup>5</sup>					
	Aluminum	Max. = 0.05				
	Cast Iron	Max. = 0.30				
	Pitting/Etching	None				
	Gum Deposits on Strips	Trace				
11	Effect on SBR Cups:	158EF	248EF			
	Hardness Increase	None	None			
	Hardness Decrease, IRHD	10 max	15 max			
	Base Diameter Change - in.	0.006 to 0.055	0.006 to 0.055			
	Disintegration	None	None			
12	Stroking Properties	N/P		N/P		

## 15. DATA SHEETS....Continued

Test No.	Test Description	Test Requirements	Test Results	Start Date	Complete Date
13	Color:				
	DOT 3 & DOT 4	Clear to Amber			
	DOT 5	Purple			
14	Container Sealing:	Resealable			
		Tamper-Proof Feature			
15	Certification:	FMVSS 116 Statement			
	Marking - Lot ID Code	Shown			
	Marking - Grade Type	Shown			
	Marking - Min Wet ERBP	Shown			
	Marking - Mailing Address	Complete			
	Labeling	Safety Warning Statements			
		Removability			
		Legibility			

\* Values shown are for DOT-3 Brake Fluid ONLY. Values for DOT-4 and DOT-5 Brake Fluid are shown below:

	DOT-4	DOT-5
TEST 1	446EF	500EF
TEST 2	311EF	356EF
TEST 3	1800cSt	900cSt

REMARKS:

RECORDED BY: \_\_\_\_\_ ; DATE: \_\_\_\_\_

APPROVED BY: \_\_\_\_\_

## 15. DATA SHEETS....Continued

## DATA SHEET 3

## STROKING TEST DATA

GROUP NO.: \_\_\_\_\_ ; LAB.: \_\_\_\_\_

BRAKE FLUID BRAND: \_\_\_\_\_

Test No.	Test Description	Test Requirements	Test Results	Start Date	Complete Date
12	Stroking Properties:	248EF	248EF		
	Metal				
	Pitting/Etching	Max. = None			
	Diameter Change:				
	Piston/Cylinder	Max. = 0.005"			
	Cylinder/Piston Oper.	Not Frozen			
	Cups				
	Hard Decrease, Average	Max= 15 IRHD			
	Hard Decrease, One	Max= 17 IRHD			
	Operating Condition	Satisfactory			
	Base Diameter, Increase	Max. = 0.035"			
	Lip Diameter, Set Average	Max. = 65%			
	Fluid				
	Volume Loss/24,000 St	Max. = 36 ml			
	Volume Loss/last 100 St	Max. = 36 ml			
	Gel	Max. = None			
	Sediment Volume	Max. = 1.5%			
	Abrasive Deposits	Max. = None			

REMARKS:

RECORDED BY: \_\_\_\_\_ ; DATE: \_\_\_\_\_

APPROVED BY: \_\_\_\_\_

## 16. FORMS

### LABORATORY NOTICE OF TEST FAILURE TO OVSC

FMVSS 116 TEST DATE:

LABORATORY:

CONTRACT NO.: \_\_\_\_\_; DELV. ORDER NO.: \_\_\_\_\_

LABORATORY PROJECT ENGINEER'S NAME:

TEST SPECIMEN DESCRIPTION - -

BRAND NAME & GRADE TYPE:

MANUFACTURER OR DISTRIBUTOR:

LABEL INFO.:

PART NO.:

TEST FAILURE DESCRIPTION:

FMVSS REQUIREMENT, PARAGRAPH '\_\_\_\_':

NOTIFICATION TO NHTSA (COTR):

DATE: \_\_\_\_\_ BY: \_\_\_\_\_

REMARKS:

16. FORMS....Continued

MONTHLY TEST STATUS REPORT

FMVSS 116

DATE OF REPORT:

GROUP NO.	BRAKE FLUID BRAND AND GRADE	TEST START DATE	TEST COMPLETE DATE	PASS / FAIL	DATE FINAL REPORT SUBMITTED
001					
002					
003					
004					
005					
006					
007					
008					
009					
010					
011					
012					
013					
014					
015					
016					
017					
018					
019					
020					

REMARKS:

16. FORMS....Continued

**MONTHLY INVENTORY STATUS REPORT**

**FMVSS 116**

**DATE OF REPORT:**

GROUP NO.	BRAND NAME	GRADE TYPE	NO. OF SPECIMENS RECVD.	LOT NUMBERS	CONDITION OF SAMPLE	DATE RECEIVED
001						
002						
003						
004						
005						
006						
007						
008						
009						
010						
011						
012						
013						
014						
015						
016						
017						
018						
019						
020						

REMARKS:

**APPENDIX A**  
**INTERPRETATIONS OR DEVIATIONS FROM FMVSS 116**



**APPENDIX B**

**EQUIPMENT LIST AND CALIBRATION SCHEDULES**

TESTING LABORATORY:

NOTE: Information to be included for each item of test instrumentation is as follows:

EQUIPMENT DESCRIPTION:

EQUIPMENT MANUFACTURER:

TYPE AND/OR MODEL:

SERIAL NUMBER:

LIMITS:

ACCURACY:

FREQUENCY OF CALIBRATION:

EXPIRATION OF CALIBRATION:

USED ON TEST NUMBER:

REMARKS:

RECORDED BY: \_\_\_\_\_ ;

DATE: \_\_\_\_\_

APPROVED BY: \_\_\_\_\_

**APPENDIX C**  
**PHOTOGRAPHS**